

Distributed by:

JAMECO[®]
ELECTRONICS

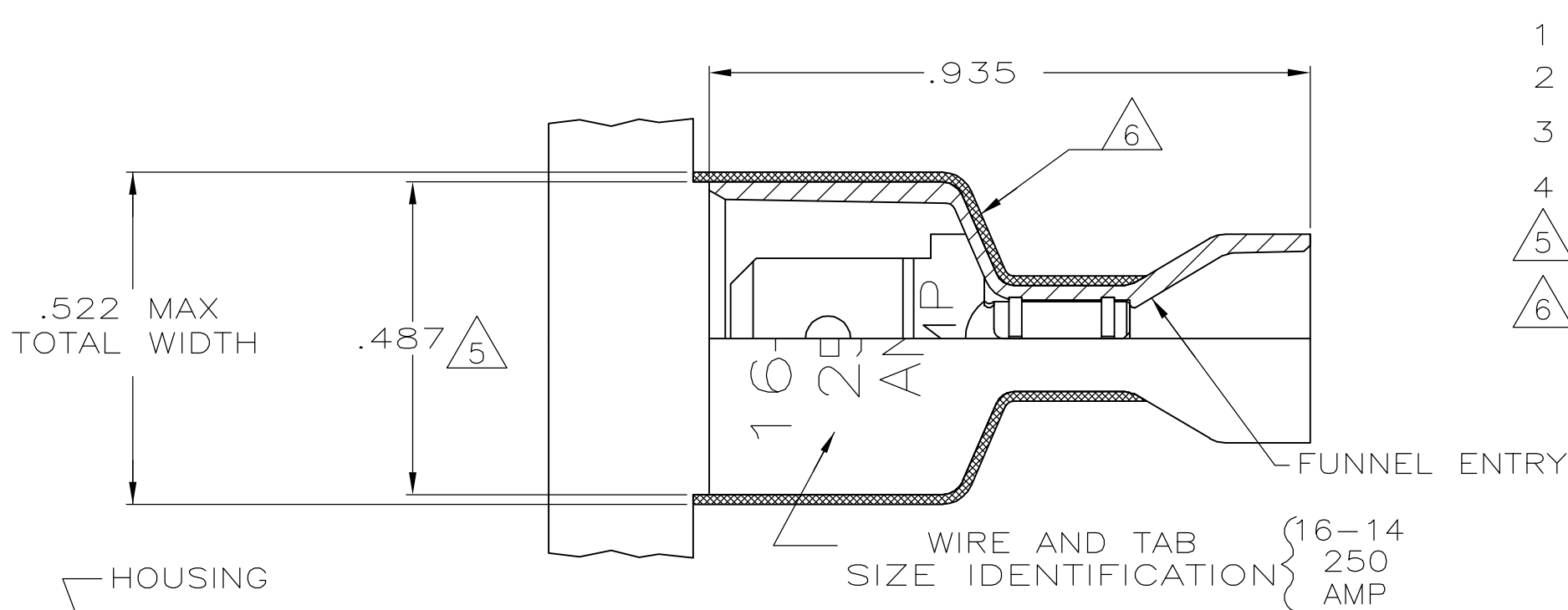
www.Jameco.com ♦ 1-800-831-4242

The content and copyrights of the attached
material are the property of its owner.

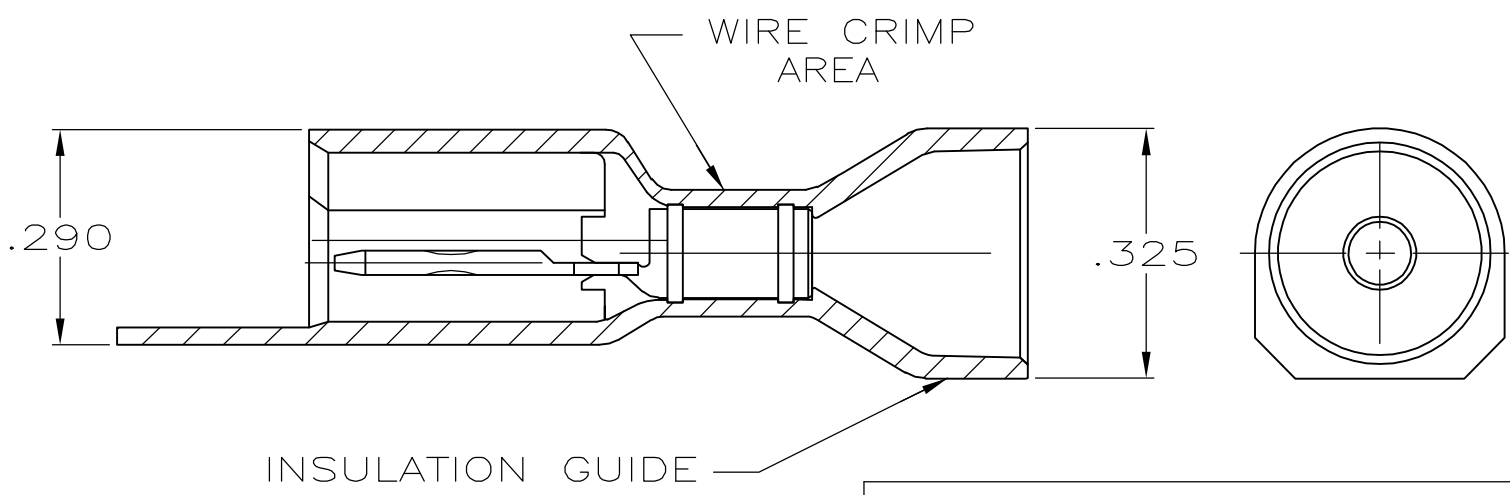
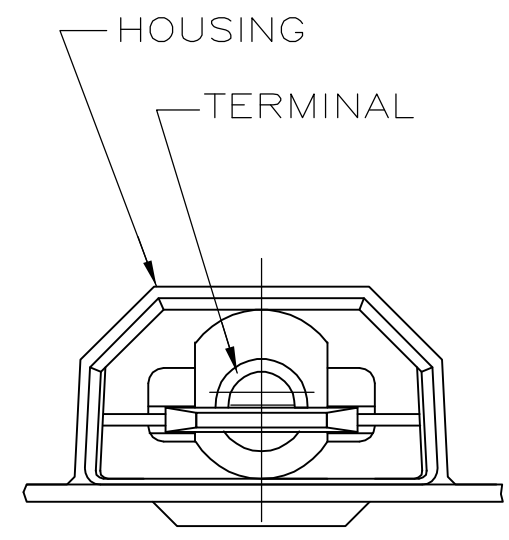
Jameco Part Number 922195

THIS DRAWING IS UNPUBLISHED. RELEASED FOR PUBLICATION
 © COPYRIGHT - BY TYCO ELECTRONICS CORPORATION. ALL RIGHTS RESERVED.

LOC	DIST	REVISIONS			
P	LTR	DESCRIPTION	DATE	DWN	APVD
AF	50	B	REVISED PER ECR-06-009299	30AUG06	HMR RL



- 1 TAB DIMENSIONS $.032^{+0.001}_{-0.002}$ x .250
- 2 WIRE STRIP LENGTH .281
- 3 INSULATION SIZE .260 MAX DIA
- 4 CONTINUOUS STRIP ON REELS
- 5 DIMENSION DOES NOT INCLUDE TRIM BURR
- 6 .015 MAX CARRIER TRIM BURR PER SIDE IS ALLOWABLE IN THE SHADED AREA



HOUSING: NYLON, COLOR-BLUE TRANSLUCENT	3-521142-2
TAB: #3 HARD BRASS, TIN .000080 MIN	
MATERIAL & FINISH	PART NO

THIS DRAWING IS A CONTROLLED DOCUMENT.		DWN	JR RUTH	4/17/97	 Tyco Electronics Corporation Harrisburg, PA 17105-3608
DIMENSIONS: INCHES		CHK	MS FEHER	4/17/97	
		APVD	J WORMAN	4/17/97	
TOLERANCES UNLESS OTHERWISE SPECIFIED:		PRODUCT SPEC		NAME	
0 PLC ± -		108-2017		TAB, ASSEMBLY, LID, ULTRA-FAST, .250 SERIES, 16-14 AWG	
1 PLC ± -		APPLICATION SPEC		SIZE	
2 PLC ± -		114-2123		CAGE CODE	
3 PLC ± .015		WEIGHT		DRAWING NO	
4 PLC ± -		-		A3 00779 C-521142	
ANGLES ± -		CUSTOMER DRAWING		RESTRICTED TO	
FINISH		SCALE		SHEET	
SEE TABLE		4:1		1 OF 1	
SEE TABLE		REV		B	