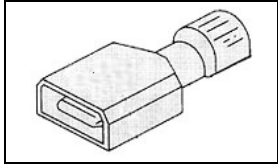


3-521191-2 Product Details



3-521191-2

TE Internal Number: 3-521191-2



Active

Ultra-Fast Receptacles & Tabs

 Always EU RoHS/ELV Compliant (Statement of Compliance)

Product Highlights:

- Terminal Type = Tab
- Proprietary Name = Ultra-Fast
- Mating Area Interface Dimensions = 6.35 x 0.81 mm
- Brass Material
- Insulation Diameter = 6.60 [.260] Max. mm [in]

Documentation & Additional Information

Product Drawings:

- [TAB ASSEMBLY, LID, ULTRA-FAST, LOOSE PIECE, .250 SER...](#) (PDF, English)

Catalog Pages/Data Sheets:

- [Ultra-Fast and Ultra Fast Plus](#) (PDF, English)

Product Specifications:

- [Ultra-Fast Fully Insulated FASTON Tab Terminals](#) (PDF, English)

Application Specifications:

- None Available

Instruction Sheets:

- None Available

CAD Files: (CAD Format & Compression Information)

- [2D Drawing](#) (DXF, Version A)
- [3D Model](#) (IGES, Version A)
- [3D Model](#) (STEP, Version A)

Additional Information:

- [Product Line Information](#)

Related Products:

- [Tooling](#)

Product Features (Please use the Product Drawing for all design activity)

Product Type Features:

- Terminal Type = Tab
- [Insulation Support](#) = Non-Insulation Support
- Finish = Tin
- Wire/Cable Type = Regular Wire
- Mount Angle = Straight

Dimensions:

- [Mating Area Interface Dimensions \(mm \[in\]\)](#) = 6.35 x 0.81 [.250 x .032]
- [Insulation Diameter \(mm \[in\]\)](#) = 6.60 [.260] Max.

Body Features:

- [Material](#) = Brass
- [Wire Range \(mm \[AWG\]\)](#) = 1.25-2.00² [16-14]
- Tab Type = Wire Crimp
- Fully Insulated = Fully Insulated

Industry Standards:

- [RoHS/ELV Compliance](#) = RoHS compliant, ELV compliant
- [Lead Free Solder Processes](#) = Not relevant for lead free process
- [RoHS/ELV Compliance History](#) = Always was RoHS compliant

Packaging Features:

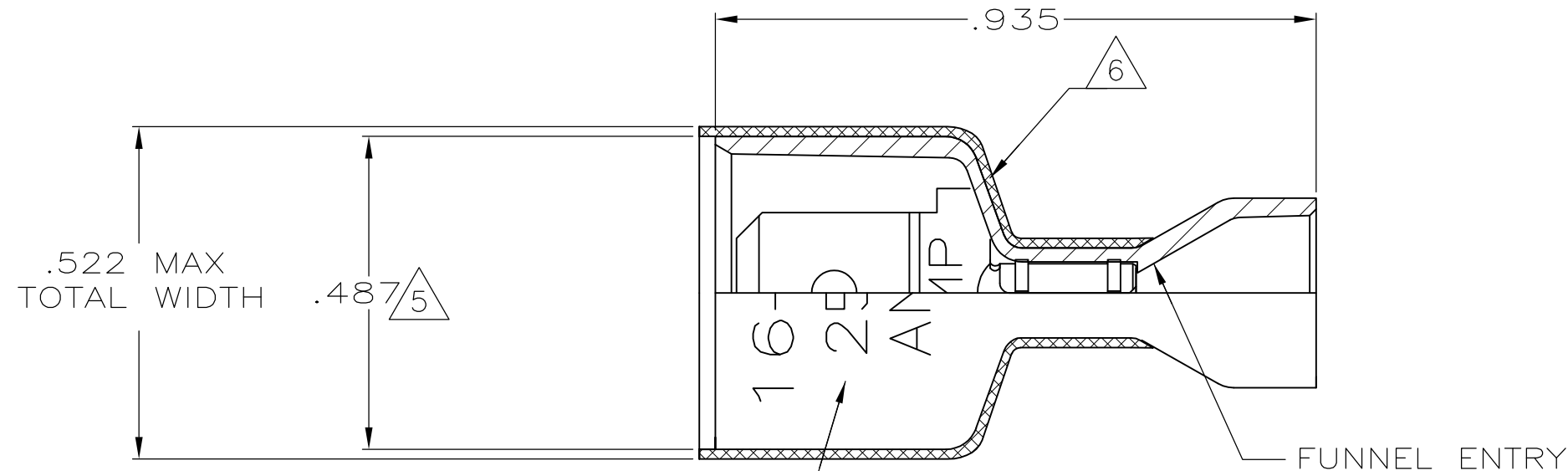
- [Packaging Method](#) = Loose Piece

Other:

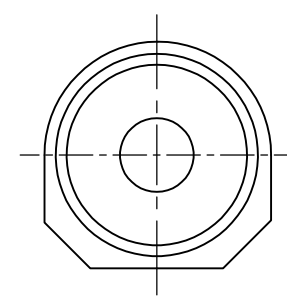
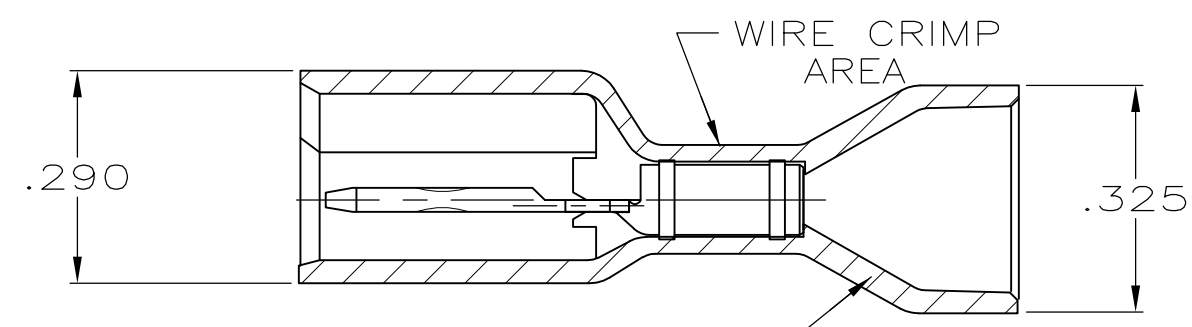
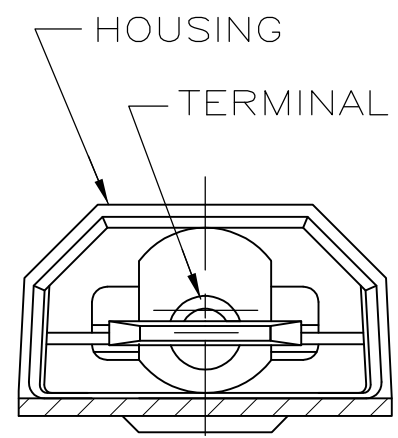
- [Proprietary Name](#) = Ultra-Fast
- Brand = AMP

THIS DRAWING IS UNPUBLISHED. RELEASED FOR PUBLICATION
 © COPYRIGHT - By - ALL RIGHTS RESERVED.

LOC	DIST	REVISIONS					
AF	50	P	LTR	DESCRIPTION	DATE	DWN	APVD
			C	REVISED PER ECR-13-004343	30JUL2013	KH	KR




- 1 TAB DIMENSIONS .032±.001x.250
- 2 WIRE STRIP LENGTH .281
- 3 INSULATION SIZE .260 MAX DIA
- 4 SUPPLIED IN LOOSE PIECE.
- 5 DIMENSION DOES NOT INCLUDE TRIM BURR
- 6 .015 MAX CARRIER TRIM BURR PER SIDE IS ALLOWABLE IN THE SHADED AREA



HOUSING: NYLON, COLOR-BLUE TRANSLUCENT	3-521191-2
TAB: BRASS, TIN	
MATERIAL & FINISH	PART NUMBER

THIS DRAWING IS A CONTROLLED DOCUMENT.	
DIMENSIONS: INCHES	TOLERANCES UNLESS OTHERWISE SPECIFIED:
	0 PLC ± -
	1 PLC ± -
	2 PLC ± -
	3 PLC ± .015
	4 PLC ± -
	ANGLES ± -
MATERIAL SEE TABLE	FINISH SEE TABLE

DWN JR RUTH 9FEB99	 TE Connectivity	NAME TAB ASSEMBLY, LID, ULTRA-FAST, LOOSE PIECE, .250 SERIES, 16-14 AWG			
CHK MS FEHER 9FEB99					
APVD J HUMMEL 9FEB99					
PRODUCT SPEC 108-2017					
APPLICATION SPEC 114-2123	SIZE A3	CAGE CODE 00779	DRAWING NO C-521191	RESTRICTED TO -	
WEIGHT -	CUSTOMER DRAWING		SCALE 4:1	SHEET 1 OF 1	REV C