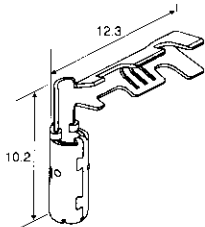


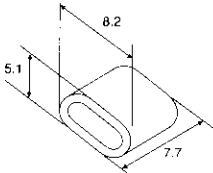
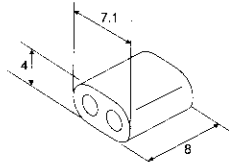
# Connectors for Automotive Applications

## SQUIB Connectors

### Socket Contact

Contact	Wire Range	Wire Ins. Diameter	Material/Finish	Part No.
				S.T.
Socket Contact  Application specification: <b>114-5234</b>	0.3-0.5mm <sup>2</sup> (AWG#22-20)	Ø1.1-2.1mm	Copper Alloy/Sel. Gold	<b>353376-3</b>

### Ferrite Core

Type	Style	Material/Color	Part No.
Non-serviceable Type		Ferrite/black	<b>353746-1</b>
Serviceable Type		Ferrite/black	<b>353379-2</b>