

4

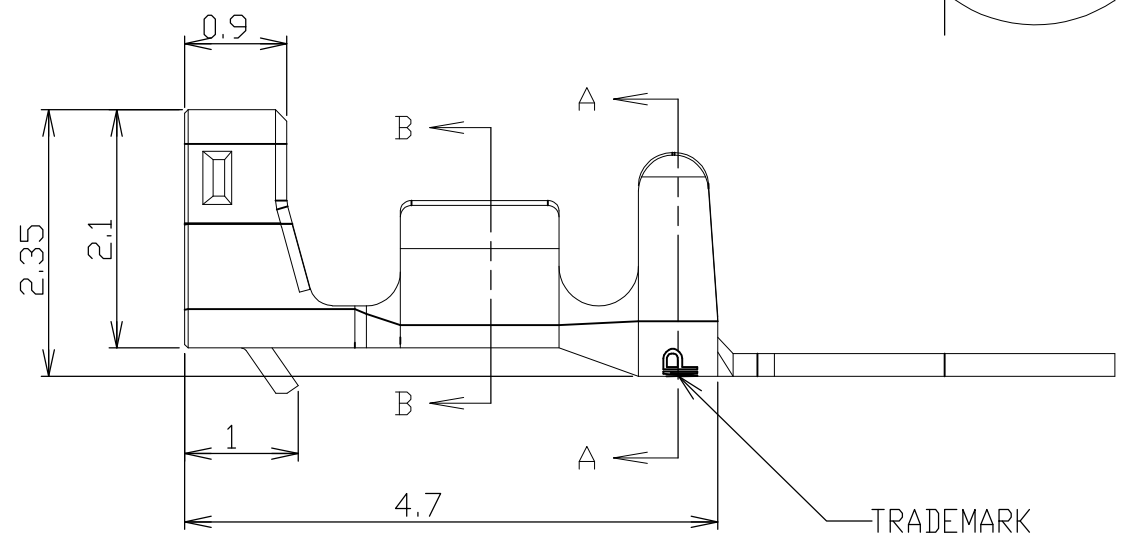
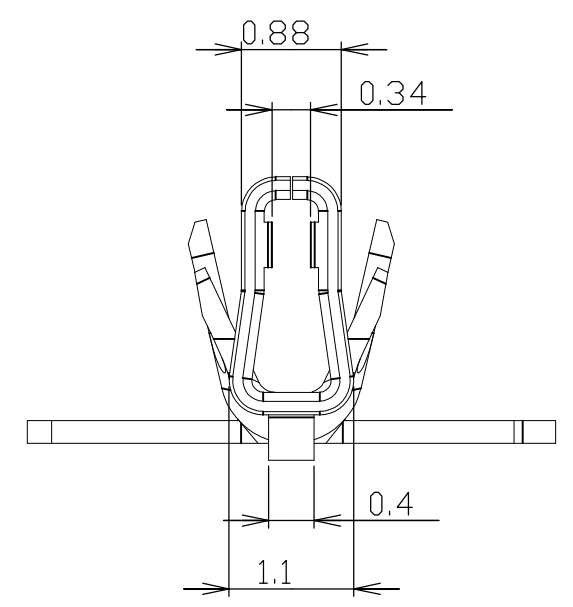
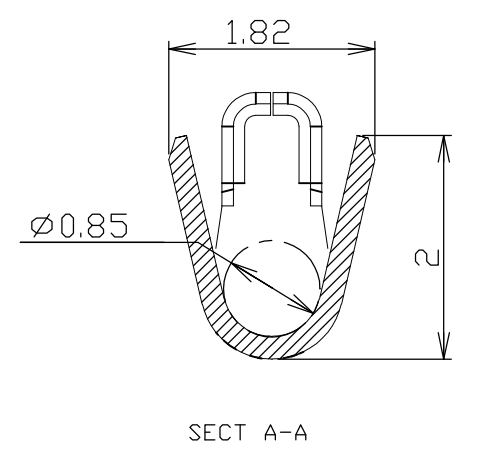
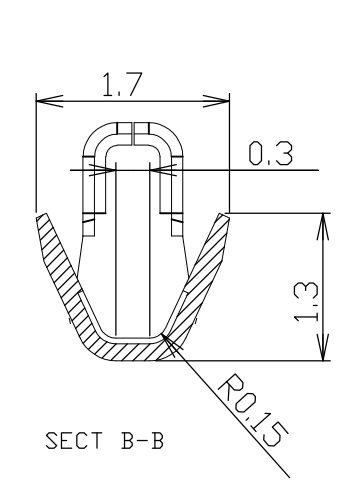
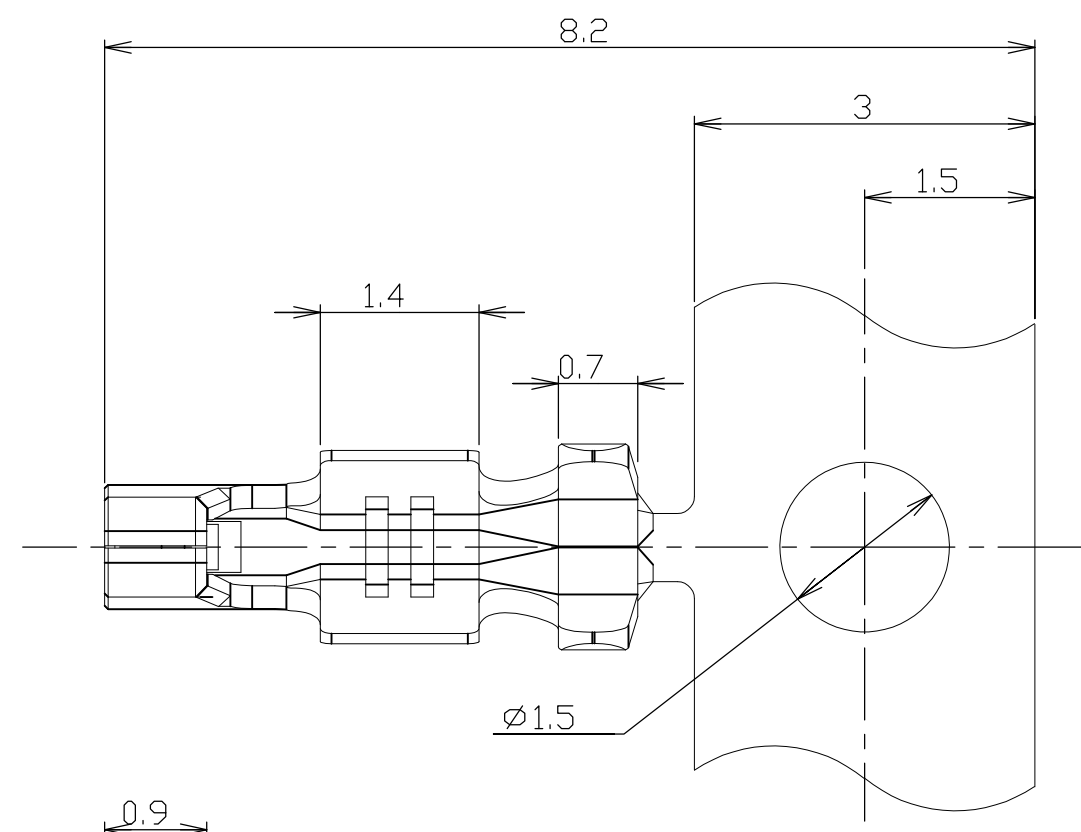
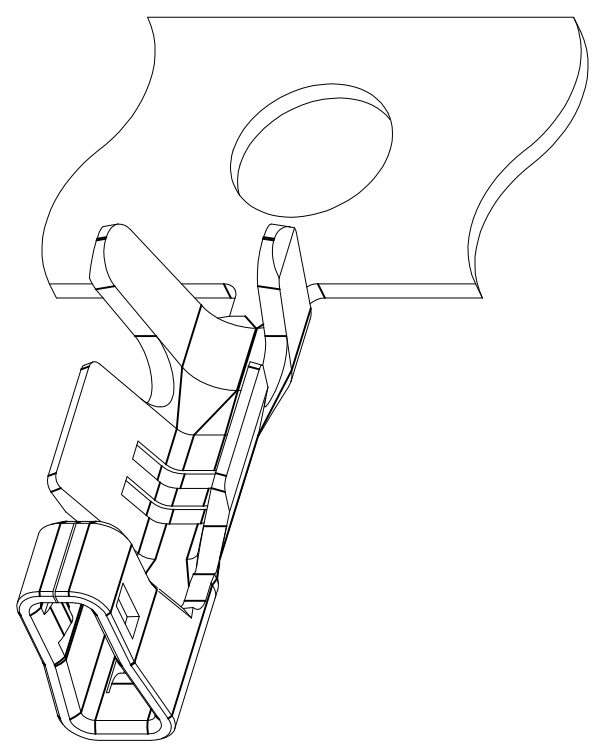
3

2

1

THIS DRAWING IS UNPUBLISHED. RELEASED FOR PUBLICATION  
 © COPYRIGHT - By - ALL RIGHTS RESERVED.

LOC	DIST	REVISIONS					
ES	00	P	LTR	DESCRIPTION	DATE	DWN	APVD
		C1		REVISED PER ECO-11-005033	25MAR11	RK	HMR



NOTES:  
 1. LOOSE PIECE CONTACT P/N:353918-1  
 2. USE WITH HOUSING P/N:X-353908-X

353907-1 AS SHOWN

GENERAL TOLERANCE

10 ≥	: ±0.2
30 ≥ > 10	: ±0.25
100 ≥ > 30	: ±0.3
ANGLES: ±3°	

THIS DRAWING IS A CONTROLLED DOCUMENT.

DIMENSIONS:	TOLERANCES UNLESS OTHERWISE SPECIFIED:
mm	
	0 PLC ± -
	1 PLC ± -
	2 PLC ± -
	3 PLC ± -
	4 PLC ± -
	ANGLES ± -
MATERIAL	FINISH
PHOS-BRONZE, 0.2mm THK	PRE-TIN

WIRE RANGE 0.22mm <sup>2</sup> ~ 0.08mm <sup>2</sup> (AWG#24~AWG#28)		INSULATION DIA Ø1.05~Ø0.85	
DWN H.HOSHINO 26.APR'97	TE Connectivity		
CHK J.TANIGAWA 26.APR'97			
APVD WL CHOO	NAME AMP MINI COMMON TERMINATED (CT) CONNECTOR 1.5mm PITCH RECEPTACLE CONTACT(AWG#24~#28), CRIMP TYPE		
PRODUCT SPEC 108-60025	SIZE	CAGE CODE	DRAWING NO
APPLICATION SPEC 114-5245	A3	00779	C-353907
WEIGHT 0.02g/ea	RESTRICTED TO		
CUSTOMER DRAWING	SCALE NON	SHEET 1 OF 1	REV C1