

4

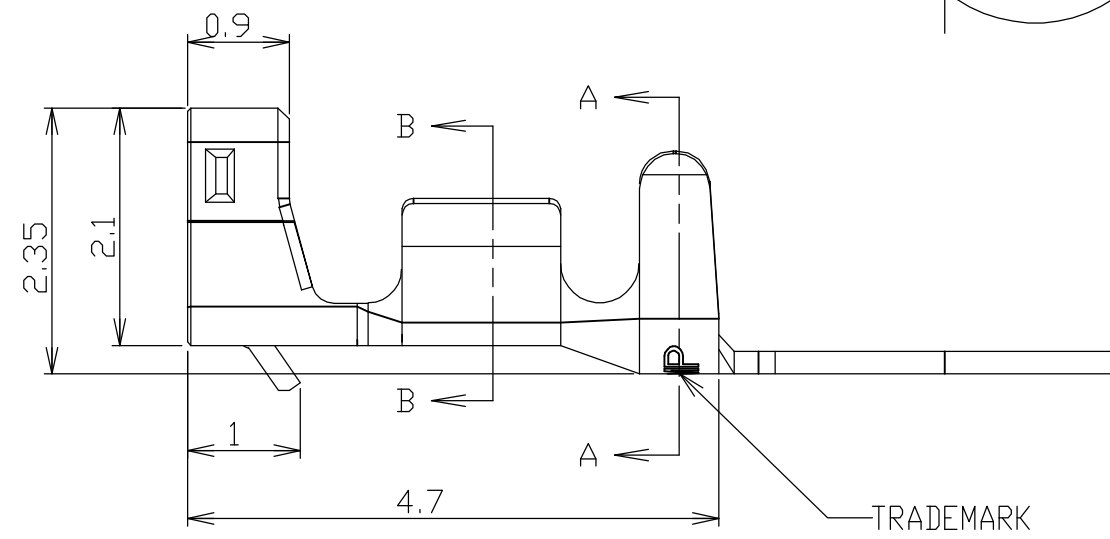
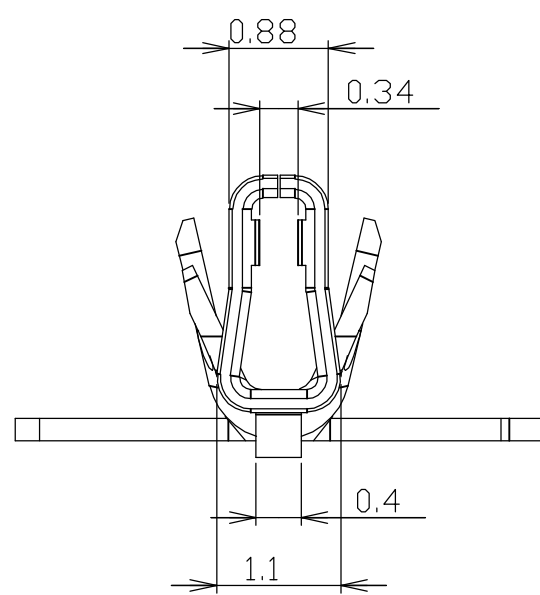
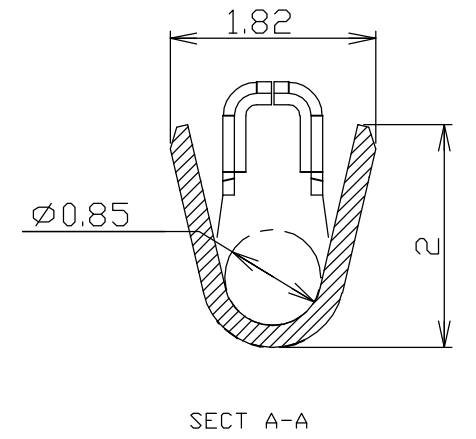
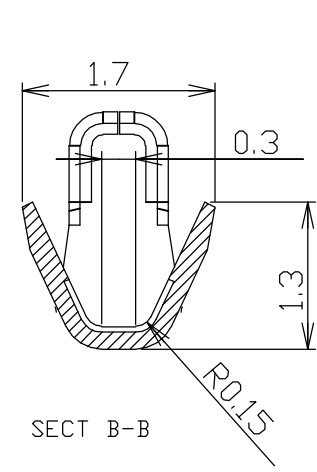
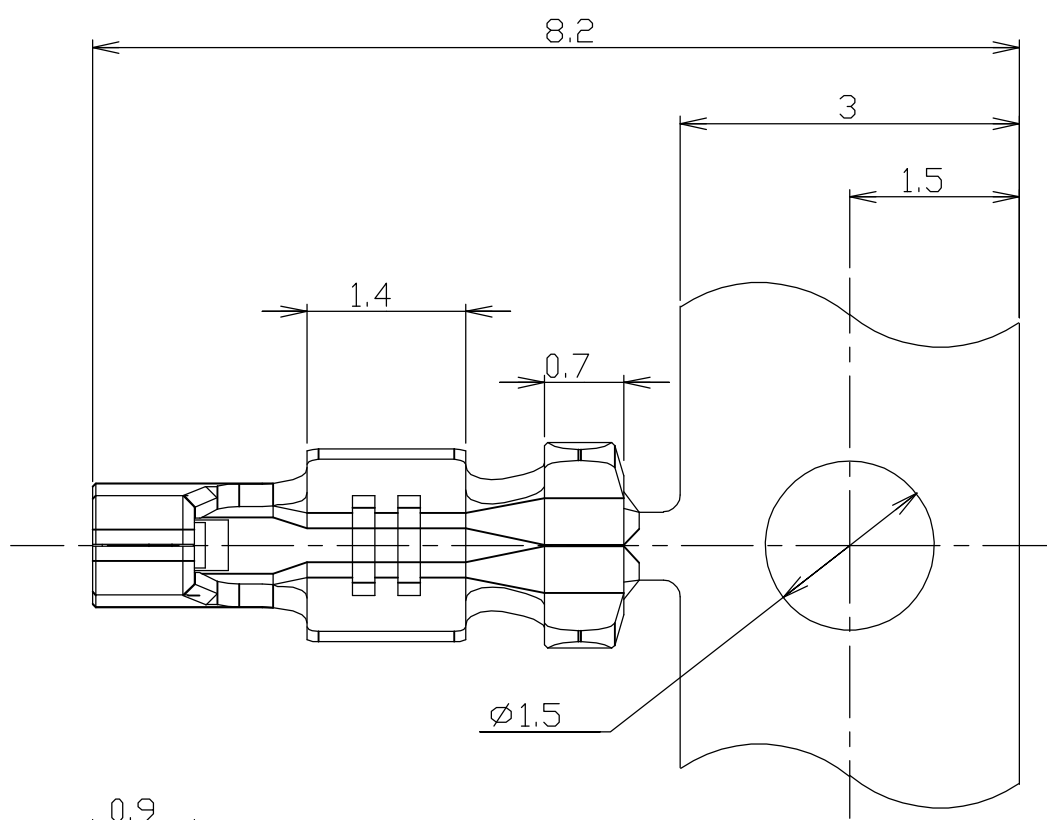
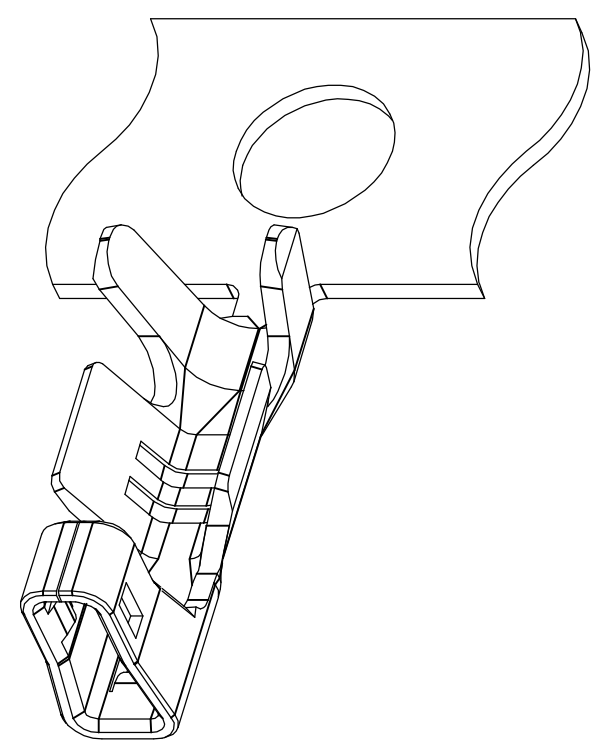
3

2

1

THIS DRAWING IS UNPUBLISHED. RELEASED FOR PUBLICATION
 © COPYRIGHT BY TYCO ELECTRONICS CORPORATION. ALL RIGHTS RESERVED.

LOC	DIST	REVISIONS					
ES	00	P	LTR	DESCRIPTION	DATE	DWN	APVD
		C		REVISED ECR-05-014650	02NOV05	C.Z	S.Y



NOTES:
 1. LOOSE PIECE CONTACT P/N:353918-1
 2. USE WITH HOUSING P/N:X-353908-X

353907-1 AS SHOWN

TRADEMARK

THIS DRAWING IS A CONTROLLED DOCUMENT.	
DIMENSIONS: mm	TOLERANCES UNLESS OTHERWISE SPECIFIED:
0 PLC ± -	1 PLC ± -
2 PLC ± -	3 PLC ± -
4 PLC ± -	ANGLES ± -
FINISH	PRE-TIN
MATERIAL	PHOS-BRONZE, 0.2mm THK

GENERAL TOLERANCE	
10 ≥	± 0.2
30 ≥ > 10	± 0.25
100 ≥ > 30	± 0.3
ANGLES: ± 3°	

WIRE RANGE 0.22mm ² ~ 0.08mm ² (AWG#24~AWG#28)		INSULATION DIA ϕ1.05~ϕ0.85	
DWN H.HOSHINO 26.APR'97	Tyco Electronics Corporation shanghai cn		
CHK J.TANIGAWA 26.APR'97	AMP MINI COMMON TERMINATED (CT) CONNECTOR 1.5mm PITCH RECEPTACLE CONTACT(AWG#24~#28), CRIMP TYPE		
APVD WL CHOO	NAME	SIZE	RESTRICTED TO
PRODUCT SPEC 108-60025	CAGE CODE A3 00779		DRAWING NO C-353907
APPLICATION SPEC 114-5245	WEIGHT 0.02g/ea		
CUSTOMER DRAWING		SCALE NON	SHEET 1 OF 1
		REV C	