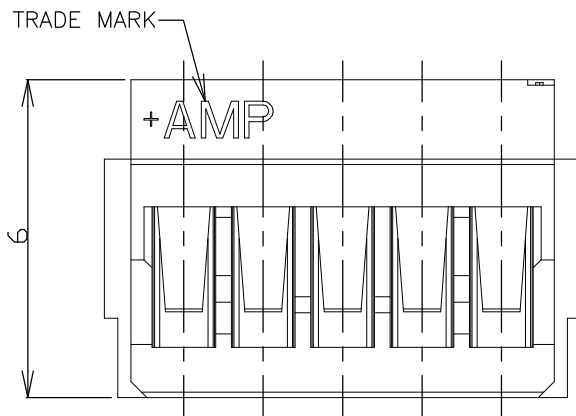
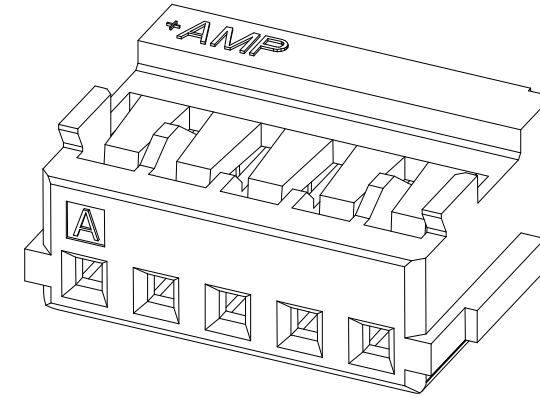
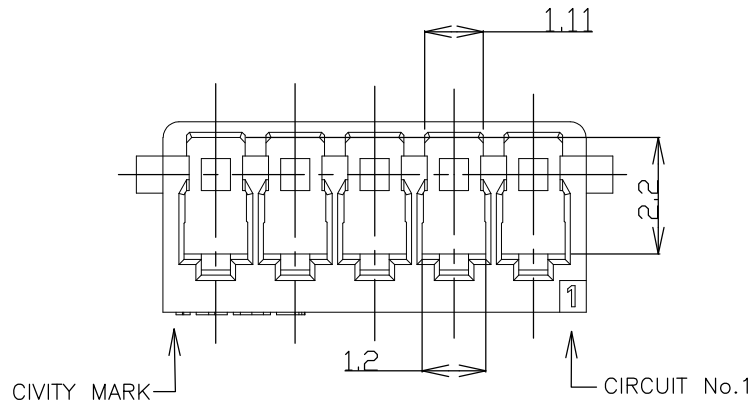
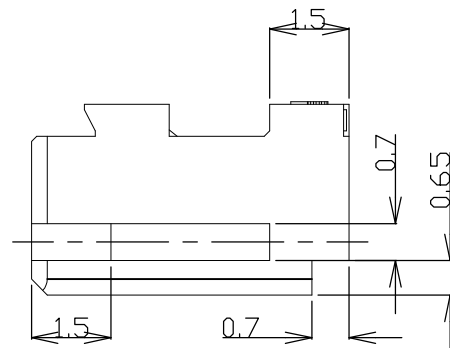
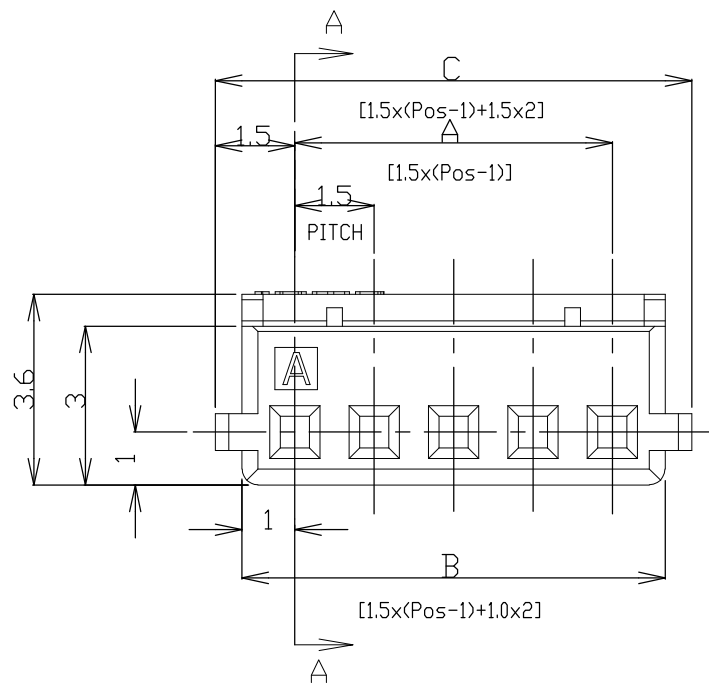
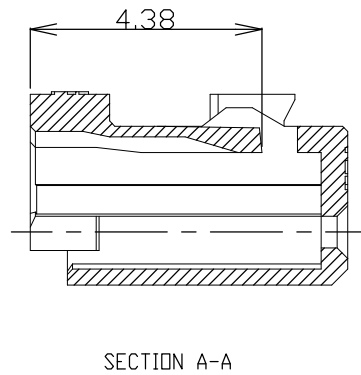


| | | | | | | | |
|-----------|------------|-----------|-----|---------------------------|---------|-----|------|
| LOC ES | DIST 00 | REVISIONS | | | | | |
| | | P | LTR | DESCRIPTION | DATE | DWN | APVD |
| | | | C2 | REVISED PER ECO-11-005033 | 24MAR11 | RK | HMR |



- NOTES:
 ⚠️ APPLICABLE WIRE SIZE: AWG#24~#30(0.22mm²~0.05mm²).
 INSULATION DIAMETER: 0.7mm~1.03mm.
 Ⓞ 2. USE WITH RECEPTACLE CONTACT P/N
 AWG#24~#28: 353907-1, 353918-1(L/P)



THIS DRAWING IS A CONTROLLED DOCUMENT.

| | |
|-------------------|--|
| DIMENSIONS: mm | TOLERANCES UNLESS OTHERWISE SPECIFIED: |
| | 0 PLC ± - |
| | 1 PLC ± - |
| | 2 PLC ± - |
| | 3 PLC ± - |
| | 4 PLC ± - |
| | ANGLES ± - |
| | FINISH ± - |

MATERIAL: 66NYLON UL94-V0

GENERAL TOLERANCE

| | |
|-------------|---------|
| 10 ≥ | : ±0.2 |
| 30 ≥ > 10 | : ±0.25 |
| 100 ≥ > 30 | : ±0.3 |
| ANGLES: ±3° | |

| | | | | | |
|----------------------------|---------------------------|-----------------|-----------|---|---------------|
| WIRE RANGE | INSULATION DIA | TE Connectivity | | | |
| DWN H.HOSHINO 26.APR.'97 | CHK J.TANIGAWA 26.APR.'97 | | | NAME | |
| APVD S.KUBONOHI 10.MAR.'99 | PRODUCT SPEC | | | AMP MINI COMMON TERMINATED (CT) CONNECTOR 1.5mm PITCH HOUSING, CRIMP TYPE | |
| APPLICATION SPEC | 108-60025 | SIZE | CAGE CODE | DRAWING NO | RESTRICTED TO |
| WEIGHT | 114-5245 | A3 | 00779 | C-353908 | - |
| CUSTOMER DRAWING | SCALE | NON | SHEET | 1 OF 2 | REV C2 |

THIS DRAWING IS UNPUBLISHED. RELEASED FOR PUBLICATION
 © COPYRIGHT - By - ALL RIGHTS RESERVED.

| | | | | | | | |
|-----|------|-----------|-----|-------------|------|-----|------|
| LOC | DIST | REVISIONS | | | | | |
| ES | 00 | P | LTR | DESCRIPTION | DATE | DWN | APVD |
| | | - | | SEE SHEET 1 | - | - | - |

| | | | | | | |
|------------|------------|------|------|-----|------------|------------|
| 0.30 | 31.5 | 30.5 | 28.5 | 20 | 8-353908-0 | 2-353908-0 |
| 0.29 | 30.0 | 29.0 | 27.0 | 19 | 7-353908-9 | 1-353908-9 |
| 0.27 | 28.5 | 27.5 | 25.5 | 18 | 7-353908-8 | 1-353908-8 |
| 0.26 | 27.0 | 26.0 | 24.0 | 17 | 7-353908-7 | 1-353908-7 |
| 0.24 | 25.5 | 24.5 | 22.5 | 16 | 7-353908-6 | 1-353908-6 |
| 0.23 | 24.0 | 23.0 | 21.0 | 15 | 7-353908-5 | 1-353908-5 |
| 0.21 | 22.5 | 21.5 | 19.5 | 14 | 7-353908-4 | 1-353908-4 |
| 0.20 | 21.0 | 20.0 | 18.0 | 13 | 7-353908-3 | 1-353908-3 |
| 0.19 | 19.5 | 18.5 | 16.5 | 12 | 7-353908-2 | 1-353908-2 |
| 0.17 | 18.0 | 17.0 | 15.0 | 11 | 7-353908-1 | 1-353908-1 |
| 0.16 | 16.5 | 15.5 | 13.5 | 10 | 7-353908-0 | 1-353908-0 |
| 0.14 | 15.0 | 14.0 | 12.0 | 9 | 6-353908-9 | 353908-9 |
| 0.13 | 13.5 | 12.5 | 10.5 | 8 | 6-353908-8 | 353908-8 |
| 0.13 | 12.0 | 11.0 | 9.0 | 7 | 6-353908-7 | 353908-7 |
| 0.10 | 10.5 | 9.5 | 7.5 | 6 | 6-353908-6 | 353908-6 |
| 0.09 | 9.0 | 8.0 | 6.0 | 5 | 6-353908-5 | 353908-5 |
| 0.07 | 7.5 | 6.5 | 4.5 | 4 | 6-353908-4 | 353908-4 |
| 0.06 | 6.0 | 5.0 | 3.0 | 3 | 6-353908-3 | 353908-3 |
| 0.04 | 4.5 | 3.5 | 1.5 | 2 | 6-353908-2 | 353908-2 |
| WEIGHT (g) | C | B | A | Pos | BLUE | WHITE |
| | DIMENSIONS | | | | P/N | |

| | | | | | | | |
|--|--|--|------------|------------|---------------------------------|--|--|
| THIS DRAWING IS A CONTROLLED DOCUMENT. | | DWN | H.HOSHINO | 26.APR.'97 | STE TE Connectivity | | |
| | | CHK | J.TANIGAWA | 26.APR.'97 | | | |
| | | APVD | S.KUBONOHI | 10.MAR.'99 | NAME | | |
| DIMENSIONS: mm | | TOLERANCES UNLESS OTHERWISE SPECIFIED: | | | AMP MINI COMMON TERMINATED (CT) | | |
| | | 0 PLC ± - | | | CONNECTOR 1.5mm PITCH | | |
| | | 1 PLC ± - | | | HOUSING, CRIMP TYPE | | |
| | | 2 PLC ± - | | | SIZE | | |
| | | 3 PLC ± - | | | CAGE CODE | | |
| | | 4 PLC ± - | | | DRAWING NO | | |
| | | ANGLES ± - | | | RESTRICTED TO | | |
| MATERIAL | | FINISH | | | A3 00779 C-353908 | | |
| SEE SHEET 1 | | SEE SHEET 1 | | | CUSTOMER DRAWING | | |
| | | WEIGHT | | | SCALE NON | | |
| | | CUSTOMER DRAWING | | | SHEET 2 OF 2 | | |
| | | | | | REV C2 | | |