



Have a Question?
 Chat with a Product
 Information Specialist

What can we help you find?

[Products](#) [Industries](#) [Resources](#) [About TE](#) [My Account](#) [Innovation](#) [Support Center](#)

36149 Product Details

[Share](#) [Print](#) [Email](#)



36149

TE Internal Number: 36149

Active

[View 3D PDF](#)

Ring and Spade Tongue Terminals

Always EU RoHS/ELV Compliant (Statement of Compliance)

Product Highlights:

- Terminal Shape = Ring Tongue
- Receptacle Style = Straight
- Body Style = PIDG
- Barrel Type = Closed Barrel
- Wire/Cable Type = Regular Wire

[View all Features](#)

Quick Links

- ▶ [Pricing & Availability](#)
- ▶ [Search for Tooling](#)
- ▶ [Product Feature Selector](#)
- ▶ [Contact Us About This Product](#)

[Add to My Part List](#) [Request Sample](#) [Find Similar Products](#) [Buy Product](#)

Documentation & Additional Information

Product Drawings:

- [TERMINAL, RING TONGUE, PIDG , WIRE SIZE, 22-16 AWG \(PDF, English\)](#)

Catalog Pages/Data Sheets:

- None Available

Product Specifications:

- None Available

Application Specifications:

- [Pre-Insulated Diamond Grip \(PIDG\) Terminals, Splices... \(PDF, English\)](#)

Instruction Sheets:

- None Available

CAD Files: [\(CAD Format & Compression Information\)](#)

- [2D Drawing \(DXF, Version Z\)](#)
- [3D Model \(IGES, Version Z\)](#)
- [3D Model \(STEP, Version Z\)](#)

[List all Documents](#)

Related Products:

- [Tooling](#)

Product Features (Please use the Product Drawing for all design activity)

Product Type Features:

- Terminal Shape = Ring Tongue
- Receptacle Style = Straight
- Barrel Type = Closed Barrel
- Wire/Cable Type = Regular Wire
- Insulation = Yes
- Insulation Support = Insulation Support
- Stud Diameter (mm [in]) = 3.68 [0.145]
- Stud Size = 6 [M3.5]
- Shape = RING-041
- Heavy Duty = No
- Finish = Tin
- Color = Red

Electrical Characteristics:

- Voltage (VAC) = 300

Termination Features:

- Wire/Cable Size (CMA) = 509 - 3,260

Dimensions:

- Insulation Diameter (mm [in]) = 2.03-3.18 [.080-.125]
- Length (mm [in]) = 17.07 [0.672]

Body Features:

- Body Style = PIDG
- Wire Range (mm [AWG]) = 0.30-1.40² [22-16]
- Material = Copper
- Tongue Material Thickness (mm [in]) = 0.79 [0.031]
- Insulation Sleeve Material = Nylon

Contact Features:

- Class = 1 & 2

Industry Standards:

- Government/Industry Qualification = Yes
- Government/Industry Part Number = MS25036-101
- RoHS/ELV Compliance = RoHS compliant, ELV compliant

- Lead Free Solder Processes = Not relevant for lead free process
- RoHS/ELV Compliance History = Always was RoHS compliant

Packaging Features:

- Packaging Method = Loose Piece
- Packaging Quantity = 5,000

Other:

- Brand = AMP

Corporate Information

[About TE](#)
[Investors](#)

Quick Links

[Distributor Inventory](#)
[Product Cross Reference](#)

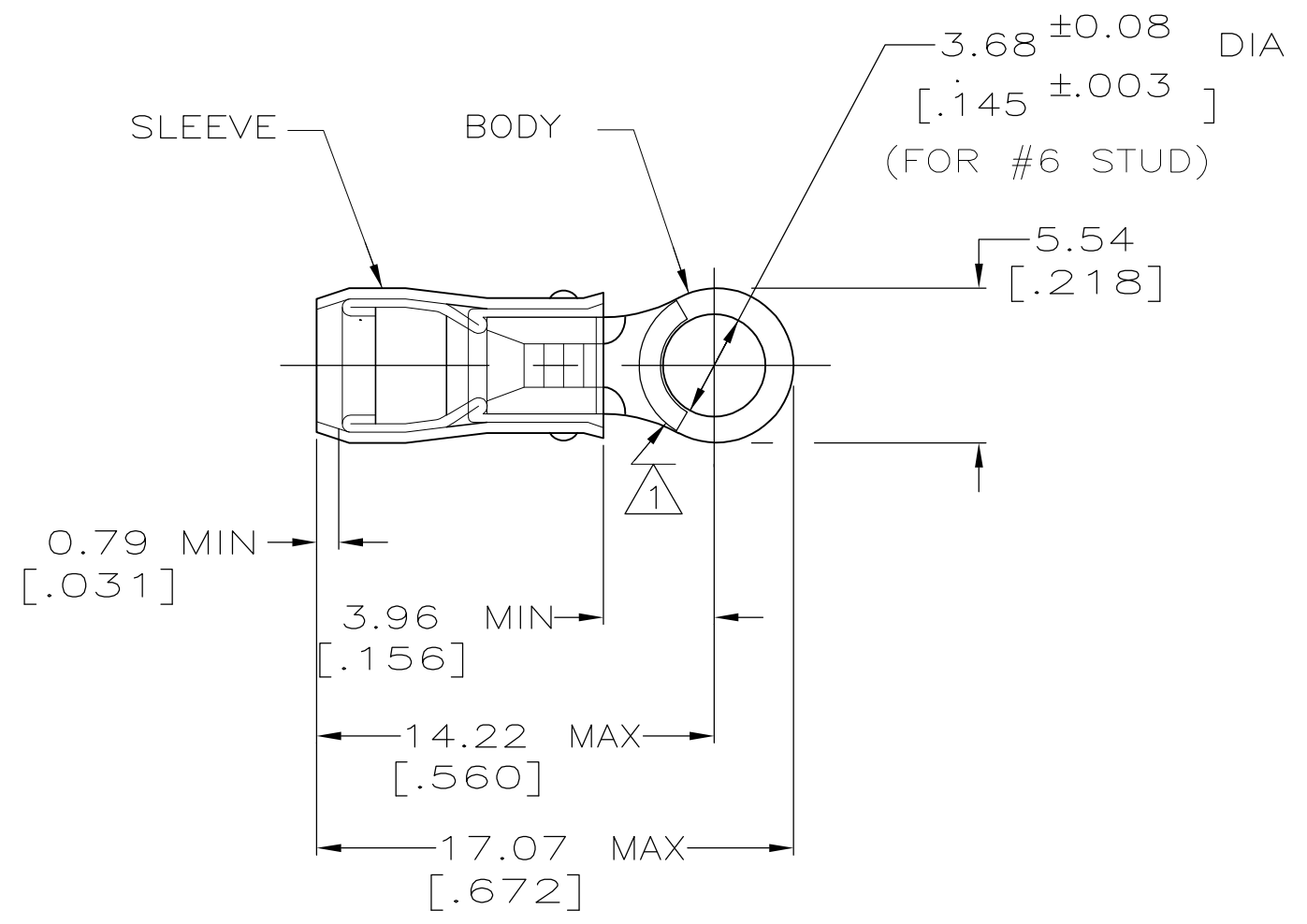
Customer Support

[Email or Chat With Us](#)
[Find a Phone Number](#)

THIS DRAWING IS UNPUBLISHED. RELEASED FOR PUBLICATION
 © COPYRIGHT - By - ALL RIGHTS RESERVED.

LOC	DIST	REVISIONS					
		P	LTR	DESCRIPTION	DATE	DWN	APVD
G	14		U1	REVISED PER ECO-11-004587	11MAR11	RK	HMR

AMP WIRE RANGE	E13288 Listed	LR7189 Certified
22-16 AWG SOLID OR STRANDED	22-16 AWG SOLID OR STRANDED	22-16 AWG SOLID OR STRANDED



- 1 STAMP AMP 22-18* APPROX AS SHOWN
22-16 TERMINALS ARE STAMPED 22-18 IN
ACCORDANCE WITH MILITARY SPEC MIL-T-7928
COMMERCIAL WIRE RANGE IS 22-16
- 2 WIRE INSULATION DIA: 2.03 - 3.18
[.080 - .125]
- 3 TONGUE MATERIAL THK: 0.79±0.05
[.031±.002]

MILITARY P/N AND CLASS	QUANTITY	PACKAGE TYPE	PART NO
-	100	LOOSE PIECE, BOX	8-36149-1
MS25036-101 CLASS 2	5000	ON TAPE, REEL	2-36149-2
MS25036-101 CLASS 1 & 2	1000	LOOSE PIECE	36149

**AMP INCORPORATED
CUSTOMER SERVICE SYSTEMS**

FOR ADDITIONAL PRODUCT INFORMATION OR COPIES OF DRAWINGS AND TECHNICAL DOCUMENTS	PRODUCT INFORMATION CENTER 1-800-522-6752
FOR APPLICATION TOOLING INFORMATION	TOOLING ASSISTANCE CENTER 1-800-722-1111
FOR ORDER ENTRY	1-800-526-5142

MAX RECOMMENDED OPERATING
TEMPERATURE:
105° C MAX

VOLTAGE RATING:
300 V MAX

CIRCULAR MIL AREA:
0.26-1.65mm² [509-3,260] CIR MILS
SOLID OR STRANDED

DIMENSIONS:
MM [INCHES]

TOLERANCES UNLESS
OTHERWISE SPECIFIED:

0 PLC	± -
1 PLC	± -
2 PLC	± 0.20[.008]
3 PLC	± -
4 PLC	± -
ANGLES	± -

MATERIAL
COPPER PER ASTM B-152
SLEEVE, RED NYLON

FINISH
TIN PLATE
PER ASTM B545

DWN
DK SCHRUM 9/8/93

CHK
RE HERSEY 9/8/93

APVD
ML ELLIS 9/8/93

PRODUCT SPEC
UL 486A

APPLICATION SPEC
NOT AVAILABLE

WEIGHT
-

CUSTOMER DRAWING

STE TE Connectivity

NAME
TERMINAL, RING TONGUE,
PIDG™, WIRE SIZE, 22-16 AWG

SIZE	CAGE CODE	DRAWING NO	RESTRICTED TO
A3	00779	C-36149	-

SCALE NTS SHEET 1 OF 2 REV U1

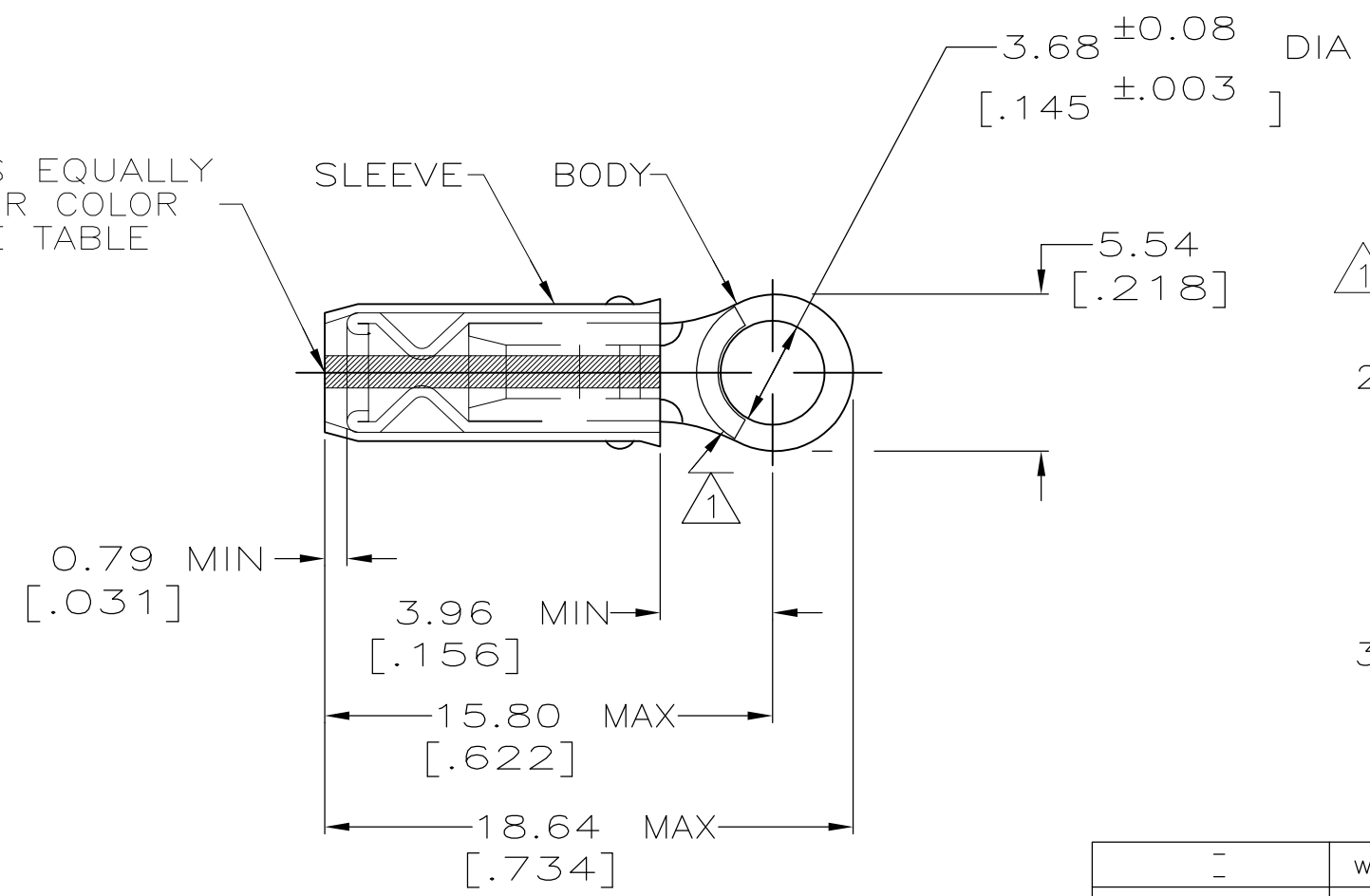
THIS DRAWING IS UNPUBLISHED. RELEASED FOR PUBLICATION
 © COPYRIGHT - By - ALL RIGHTS RESERVED.

LOC	DIST	REVISIONS					
G	14	P	LTR	DESCRIPTION	DATE	DWN	APVD
		-		SEE SHEET 1	-	-	-

AMP
WIRE RANGE

SEE TABLE
STRANDED

3 STRIPES EQUALLY SPACED FOR COLOR CODE: SEE TABLE



1 STAMP AMP APPROX AS SHOWN SEE TABLE BELOW

2 WIRE INSULATION DIA: 0.97 - 2.79 FOR 22 AWG [.038 - .110]
 1.17 - 2.79 FOR 20 AWG [.046 - .110]
 1.42 - 2.79 FOR 18 AWG [.056 - .110]

3 TONGUE MATERIAL THK: 0.79±0.05 [.031±.002]

-	WHITE	18*	18	100	LOOSE PIECE, BOX	9-36149-1
-	RED	20*	20	100	LOOSE PIECE, BOX	7-36149-1
-	GREEN	22*	22	100	LOOSE PIECE, BOX	6-36149-1
M7928/1-30 CLASS 1 & 2	WHITE	18*	18	1000	LOOSE PIECE	2-36149-5
M7928/1-21 CLASS 1 & 2	RED	20*	20	1000	LOOSE PIECE	2-36149-4
M7928/1-12 CLASS 1 & 2	GREEN	22*	22	1000	LOOSE PIECE	2-36149-3
MILITARY P/N AND CLASS	STRIPE COLOR	STAMPING	WIRE SIZE	QUANTITY	PACKAGE TYPE	PART NO

AMP INCORPORATED CUSTOMER SERVICE SYSTEMS		MAX RECOMMENDED OPERATING TEMPERATURE: 105° C MAX		DWN DK SCHRUM 9/8/93		STE TE Connectivity	
FOR ADDITIONAL PRODUCT INFORMATION OR COPIES OF DRAWINGS AND TECHNICAL DOCUMENTS		VOLTAGE RATING: 300 V MAX		CHK RE HERSEY 9/8/93			
PRODUCT INFORMATION CENTER 1-800-522-6752		WIRE RANGE: CIRC MIL AREA:		APVD ML ELLIS 9/8/93		NAME	
FOR APPLICATION TOOLING ASSISTANCE CENTER		22 0.38mm ² [754]		PRODUCT SPEC		TERMINAL, RING TONGUE, I.R., PIDG™	
TOOLING INFORMATION 1-800-722-1111		20 0.60mm ² [1,186]		APPLICATION SPEC		WIRE SIZE, 22-16 AWG	
FOR ORDER ENTRY 1-800-526-5142		18 0.96mm ² [1,900]		NOT AVAILABLE		SIZE CAGE CODE DRAWING NO RESTRICTED TO	
		STRANDED		WEIGHT -		A3 00779 C-36149	
		MATERIAL COPPER PER ASTM B-152 SLEEVE, RED NYLON		FINISH TIN PLATE PER ASTM B545		SCALE NTS SHEET 2 OF 2 REV U1	
				CUSTOMER DRAWING			