

4

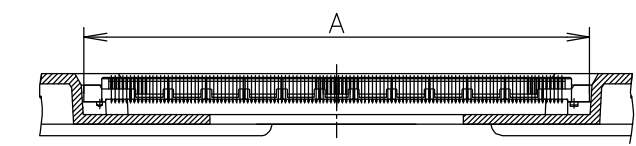
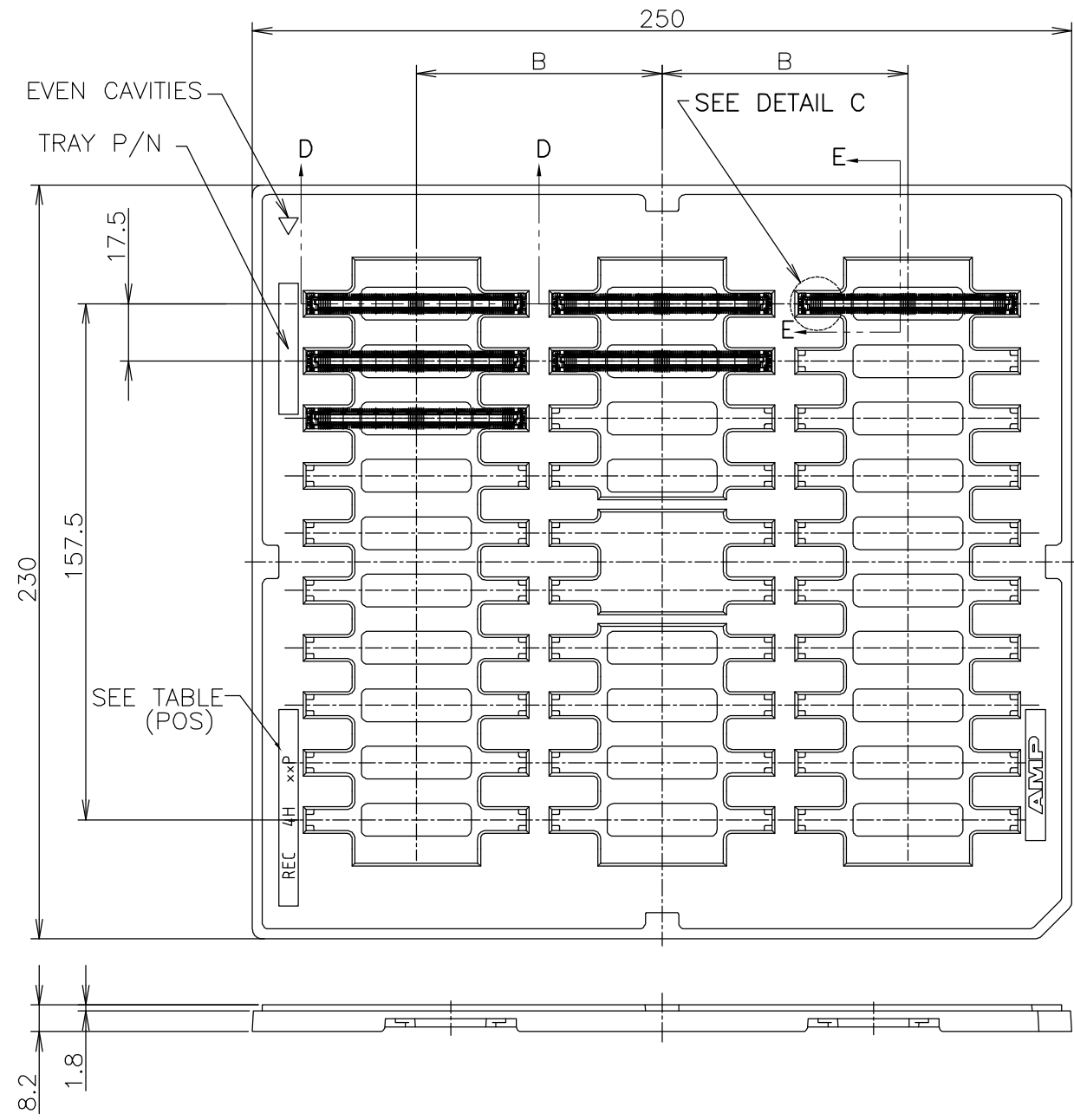
3

2

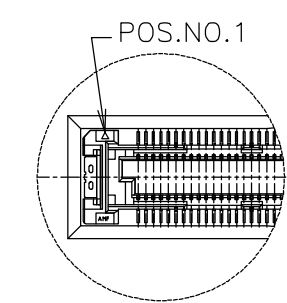
1

THIS DRAWING IS UNPUBLISHED. RELEASED FOR PUBLICATION ,2005.
 © COPYRIGHT 2005 BY TYCO ELECTRONICS CORPORATION. ALL RIGHTS RESERVED.

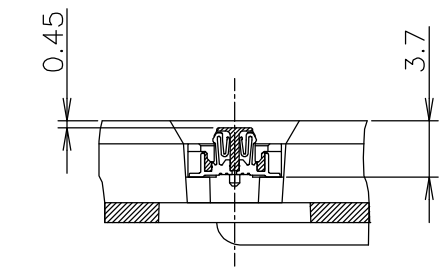
LOC	DIST	REVISIONS					
J		P	LTR	DESCRIPTION	DATE	DWN	APVD
			A	RELEASED	26SEP05	S.C	W.K



SECT. D-D
(SCALE 2:1)
(CONNECTOR NOT SECTION)



DETAIL C
(SCALE 2:1)



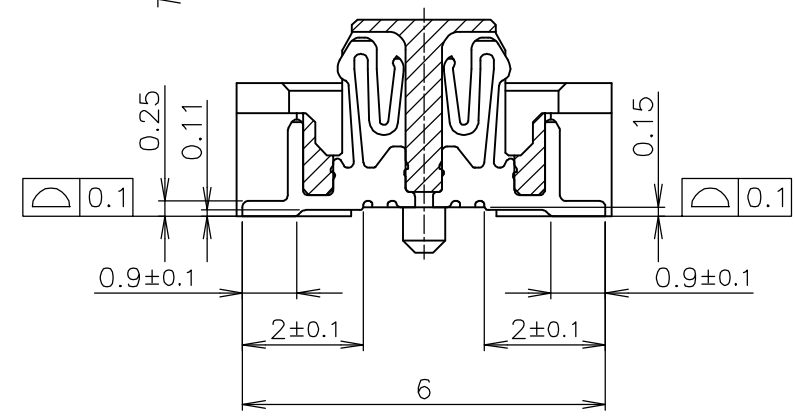
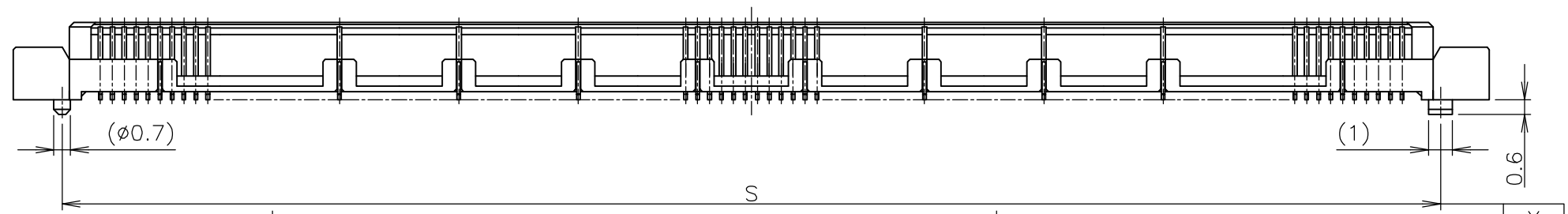
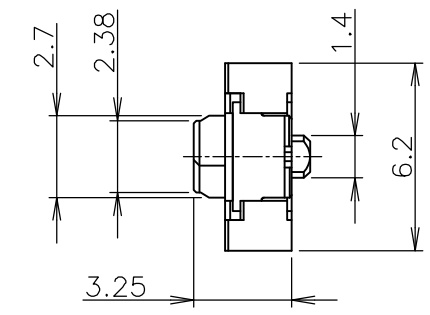
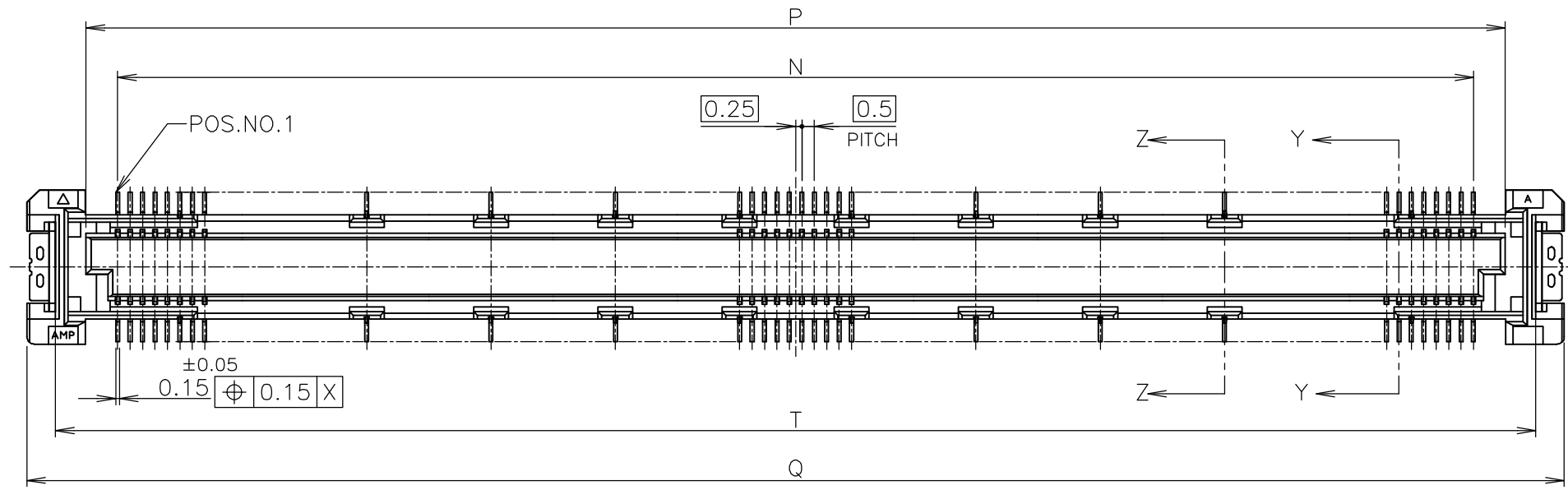
E-E
(SCALE 2:1)

NO	3	30	75	61.8	220	3-6318490-6
SEALANT	ROW	QTY	B	A	POS.	PART NO.

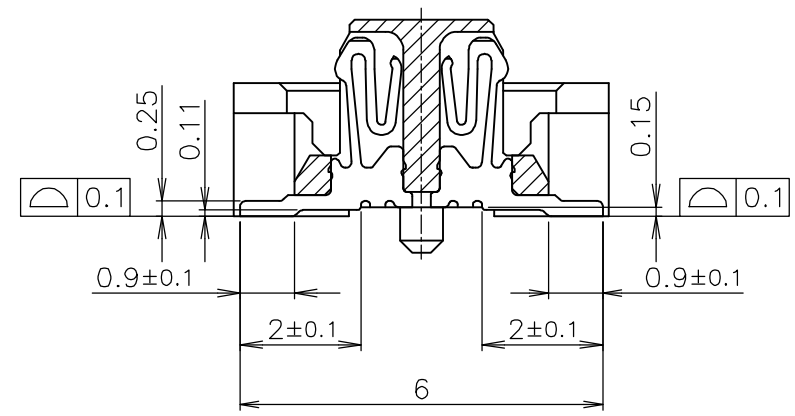
THIS DRAWING IS A CONTROLLED DOCUMENT.		DWN	S.CH IEN	26SEP05	Tyco Electronics AMP K.K. Kawasaki, Japan	
DIMENSIONS: MM		CHK	T.FUTATSUGI	26SEP05		
TOLERANCES UNLESS OTHERWISE SPECIFIED:		APVD	W.KODAMA	26SEP05	NAME	
0 PLC ± 0.3		PRODUCT SPEC		HARD TRAY ASSY		
1 PLC ± 0.3		108-5560		FH 0.5BTB CONNECTOR 220POS		
2 PLC ± 0.3		APPLICATION SPEC		REC 4H WITH GROUND PLATE		
3 PLC ± 0.3		WEIGHT		SIZE	CAGE CODE	DRAWING NO
4 PLC ± 0.3		CUSTOMER DRAWING		A3	00779	C-6318490
ANGLES ± 3'		SCALE		1:2		SHEET 1 OF 3
FINISH		RESTRICTED TO		REV		A

THIS DRAWING IS UNPUBLISHED. RELEASED FOR PUBLICATION ,2002.
 © COPYRIGHT 2002 BY TYCO ELECTRONICS CORPORATION. ALL RIGHTS RESERVED.

LOC	DIST	REVISIONS			
P	LTR	DESCRIPTION	DATE	DWN	APVD
J		SEE SHEET 1	-	-	-



SECT. Z-Z
(GROUND POSITION)
(SCALE 8:1)



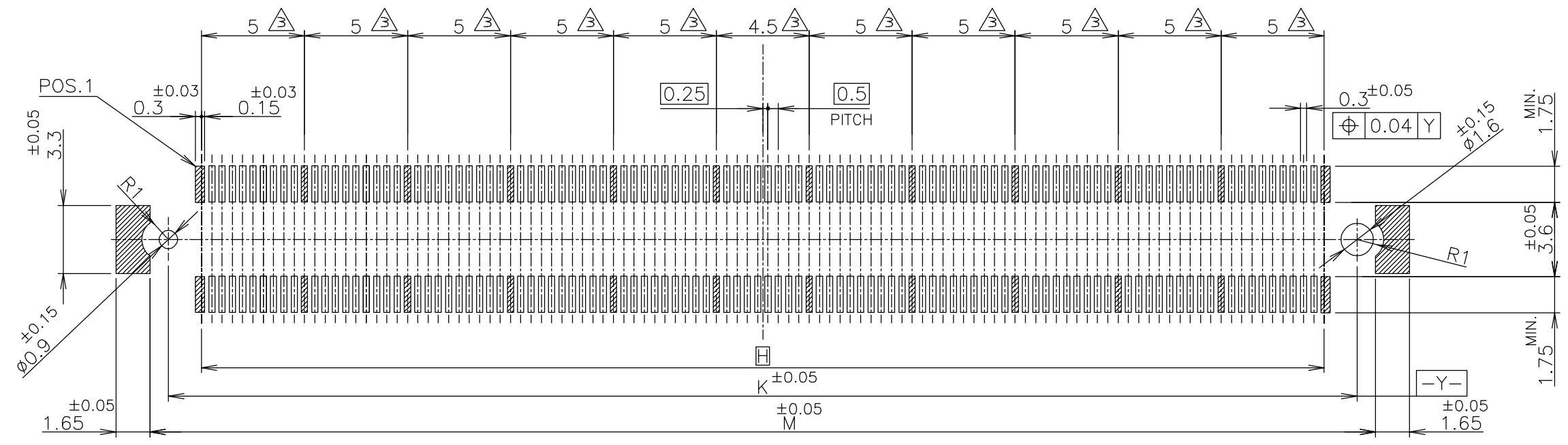
SECT. Y-Y
(SIGNAL POSITION)
(SCALE 8:1)

59.5	57.7	61.8	57.1	54.5	220	BLACK	3-6318490-6
T	S	Q	P	N	POS.	HSG COLOR	PART NO.

THIS DRAWING IS A CONTROLLED DOCUMENT.		DWN	Tyco Electronics AMP K.K. Kawasaki, Japan			
DIMENSIONS: MM		CHK				
TOLERANCES UNLESS OTHERWISE SPECIFIED:		APVD	NAME			
0 PLC ± 0.3 1 PLC ± 0.3 2 PLC ± 0.3 3 PLC ± 0.3 4 PLC ± 0.3 ANGLES ± 3°		PRODUCT SPEC	HARD TRAY ASSY FH 0.5BTB CONNECTOR 220POS REC 4H WITH GROUND PLATE			
MATERIAL		APPLICATION SPEC	SIZE	CAGE CODE	DRAWING NO	RESTRICTED TO
FINISH		WEIGHT	A3	00779	C-6318490	
CUSTOMER DRAWING			SCALE	SHEET	OF	REV
			4:1	2	3	A

THIS DRAWING IS UNPUBLISHED. RELEASED FOR PUBLICATION ,2002.
 © COPYRIGHT 2002 BY TYCO ELECTRONICS CORPORATION. ALL RIGHTS RESERVED.

LOC	DIST	REVISIONS					
J		P	LTR	DESCRIPTION	DATE	DWN	APVD
			-	SEE SHEET 1	-	-	-



REFERENCE P.C.BOARD LAYOUT

NOTES

- ① MATERIAL ; HOUSING : HIGH TEMP THERMO PLASTIC UL94V-0
 CONTACT : COPPER ALLOY
 SOLDER PEG : COPPER ALLOY
- ② FINISH ; SIGNAL CONTACT : UNDER PL Ni
 0.0013mm MIN ALL OVER.
 CONTACT AREA
 0.0002mm MIN Au PL.
 SOLDERING AREA
 0.00005mm MIN Au PL.
- GROUND CONTACT : UNDER PL Ni
 0.0013mm MIN ALL OVER.
 CONTACT AREA
 0.0002mm MIN Au PL.
 SOLDERING AREA
 0.001mm MIN TIN PL.
- SOLDER PEG : 0.001mm MIN
 TIN PL. OVER
 0.0013mm MIN
 Ni PL ALL OVER.
- ③ THIS POSITION IS GROUND CIRCUIT.

59.5	57.7	54.5	220	3-6318490-6
M	K	H	POS	PART NO.

THIS DRAWING IS A CONTROLLED DOCUMENT.		DWN	Tyco Electronics AMP K.K. Kawasaki, Japan			
DIMENSIONS: MM		CHK				
TOLERANCES UNLESS OTHERWISE SPECIFIED:		APVD	NAME			
0 PLC ± 0.3 1 PLC ± 0.3 2 PLC ± 0.3 3 PLC ± 0.3 4 PLC ± 0.3 ANGLES ± 3°		PRODUCT SPEC	HARD TRAY ASSY FH 0.5BTB CONNECTOR 220POS REC 4H WITH GROUND PLATE			
MATERIAL		APPLICATION SPEC	SIZE	CAGE CODE	DRAWING NO	RESTRICTED TO
FINISH		WEIGHT	A3	00779	C-6318490	
CUSTOMER DRAWING			SCALE	SHEET	REV	
			4:1	3 OF 3	A	