

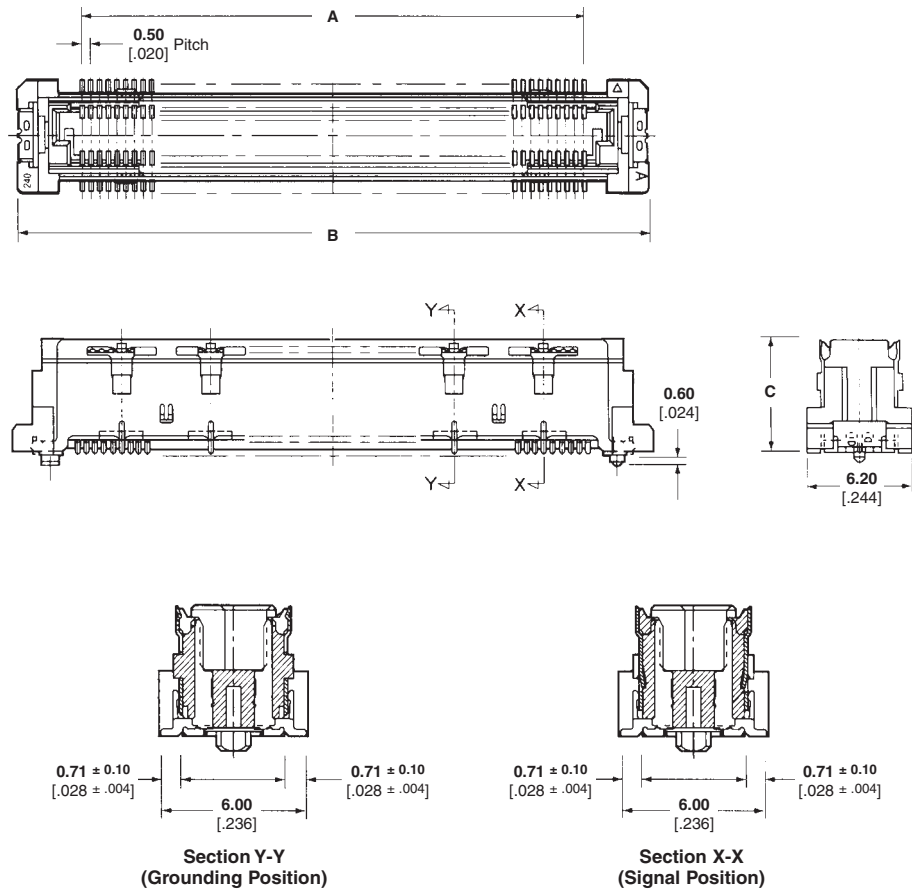
0.5mm Free Height (FH) Connectors (Continued)

Plug Assembly

Material and Finish

Housing — UL94V-0, heat resistant resin, natural color

Contact — Copper alloy, 0.2µm min. gold plated on contact area, 0.1µm tin-lead plated or tin plated on soldering area, 1.3µm min. nickel underplated on entire contact, 0.1µm thick tin plated on grounding contact.



.5 mm FH Plug Assemblies

Positions	Height	Dimensions			Giga Ground Shield	SIF-200	With Pickup Cap	Packaging Type	Part Number
		A	B	C					
120	7	29.50 1.161	36.80 1.449	6.45 .254	—	—	Yes	Tape	2-6473530-9
	8	29.50 1.161	36.80 1.449	7.45 .293	—	—	—	Hard Tray	6376622-1
160	8	39.50 1.555	46.80 1.843	7.45 .293	Yes	Yes	Yes	Hard Tray	6-5353706-2
200	5	49.50 1.949	56.80 2.236	4.45 .1175	Yes	—	Yes	Semi H/T	3-6612148-5
	7	49.50 1.949	56.80 2.236	6.45 .254	Yes	—	—	Hard Tray	6-6123766-5
220	8	49.50 1.949	56.80 2.236	7.45 .293	Yes	—	Yes	Semi H/T	3-6565779-5
	5	54.50 2.146	61.80 2.433	4.45 .1175	Yes	—	—	Hard Tray	3-1827253-6
240	8	54.50 2.146	61.80 2.433	7.45 .293	Yes	—	—	Hard Tray	3-6318491-6
	6	59.50 2.343	66.80 2.630	5.45 .215	Yes	—	Yes	Hard Tray	3-5353614-7
240	6	59.50 2.343	66.80 2.630	5.45 .215	—	—	Yes	Hard Tray	3-6473868-7

Note: Part Numbers are RoHS compliant.

0.5mm Free Height (FH) Connectors