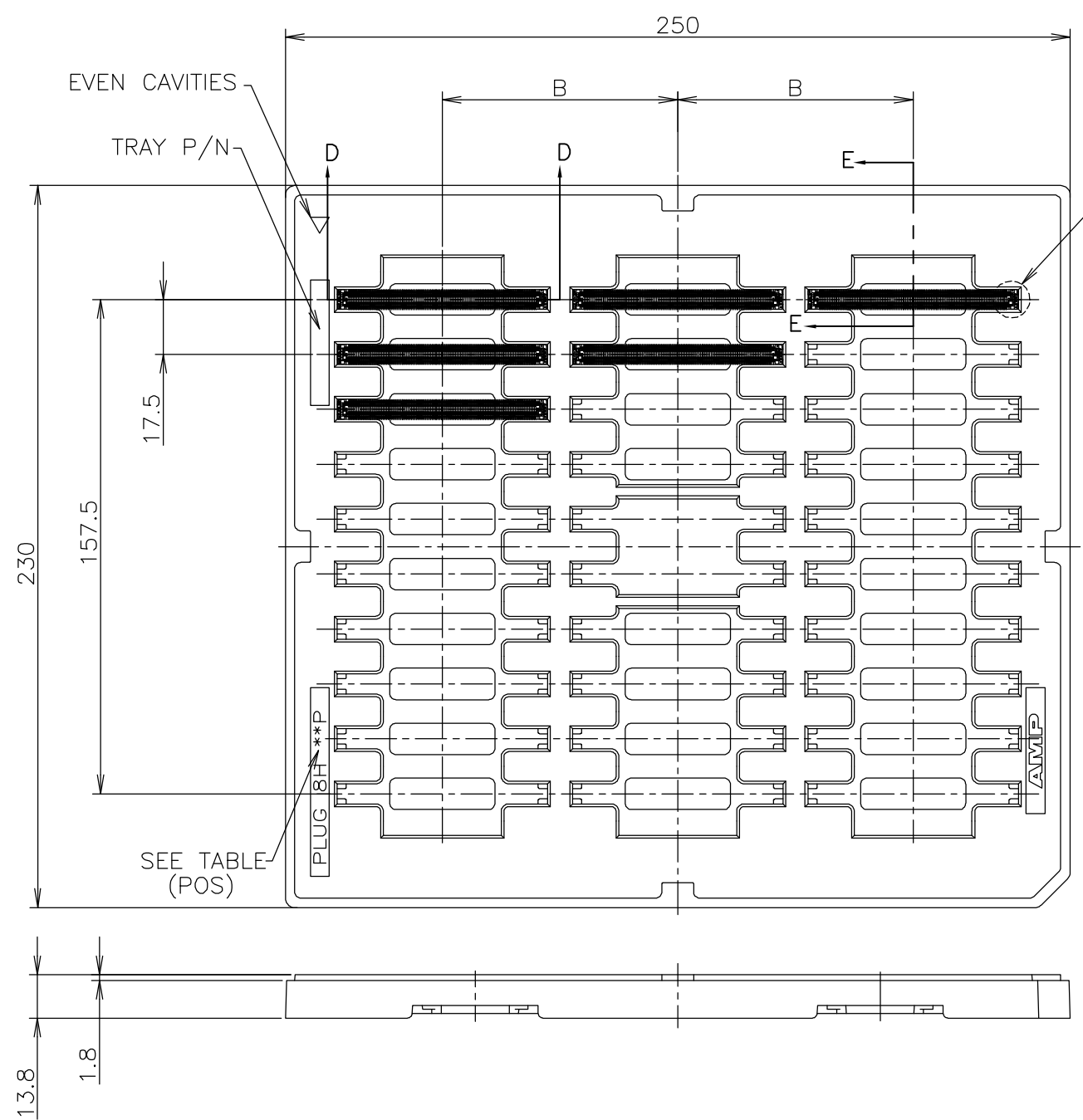
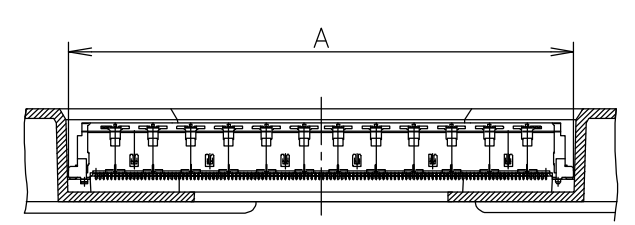


THIS DRAWING IS UNPUBLISHED. RELEASED FOR PUBLICATION ,2005.
 © COPYRIGHT 2005 BY TYCO ELECTRONICS CORPORATION. ALL RIGHTS RESERVED.

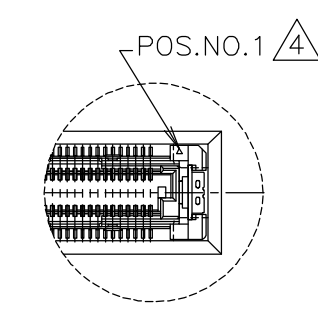
LOC	DIST	REVISIONS			
P	LTR	DESCRIPTION	DATE	DWN	APVD
J	/	B	REVISED (ECR-06-003411)	14MAR06	S.W H.K



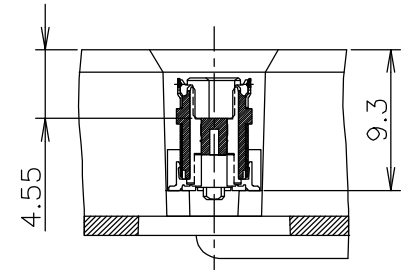
SEE DETAIL C



SECT. D-D
(SCALE 2:1)
(CONNECTOR NOT SECTION)



DETAIL C
(SCALE 2:1)



SECT. E-E
(SCALE 2:1)

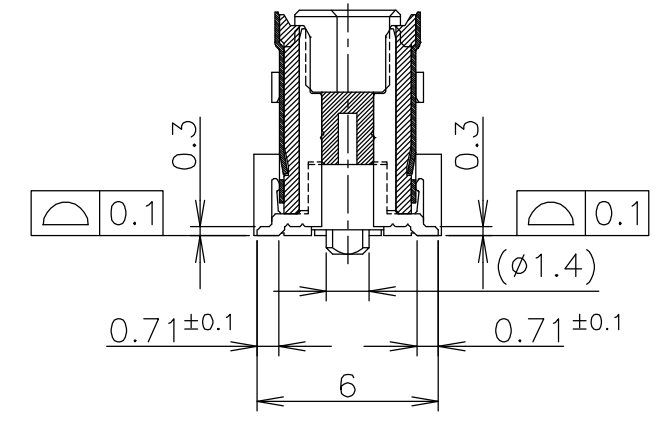
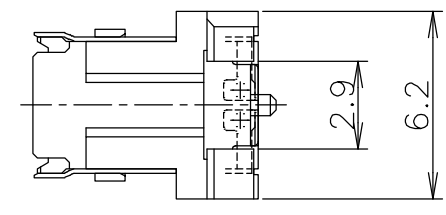
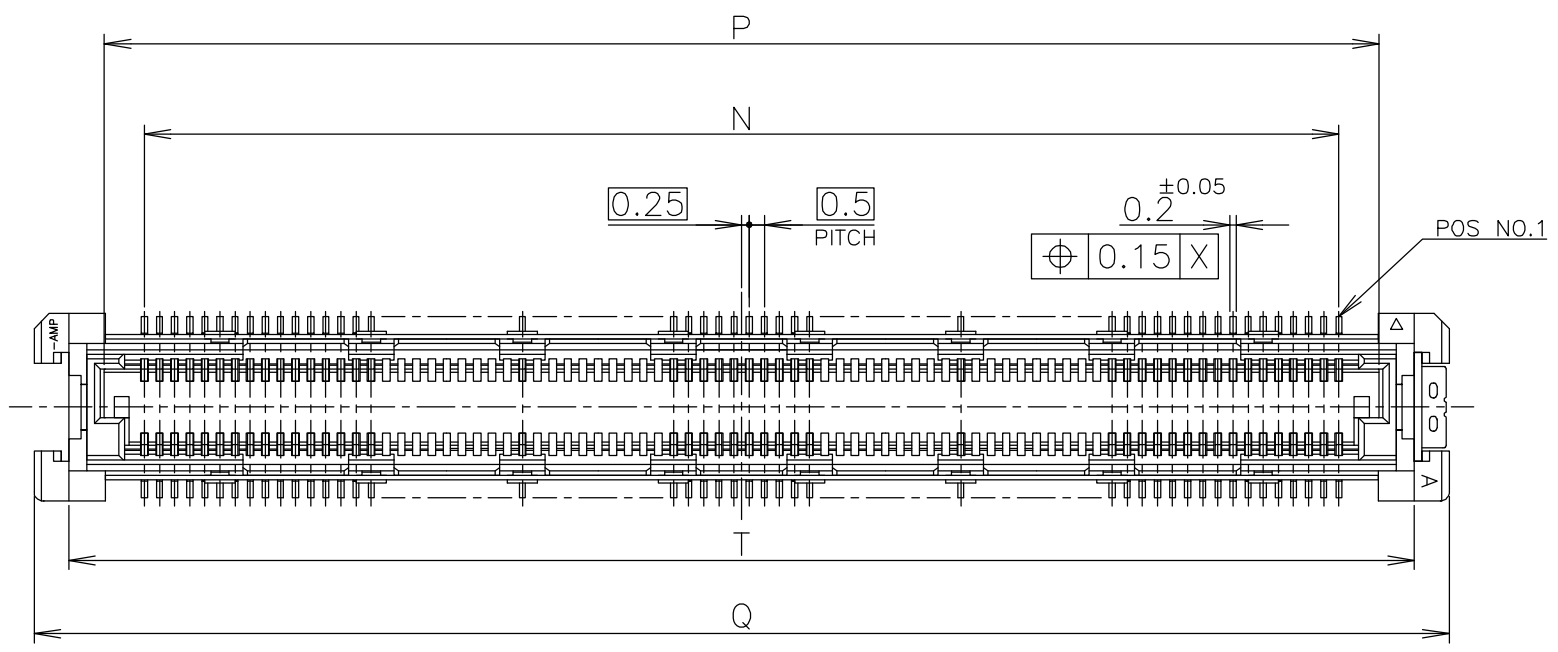
YES ⁴	3	30	75	61.8	220	8-6318491-6
NO	3	30	75	61.8	220	3-6318491-6
SEALANT	ROW	QTY	B	A	POS.	PART NO.

THIS DRAWING IS A CONTROLLED DOCUMENT.		DWN S.CHIEN 26SEP05	Tyco Electronics AMP K.K. Kawasaki, Japan			
DIMENSIONS: MM		CHK T.FUTATSUGI 26SEP05				
TOLERANCES UNLESS OTHERWISE SPECIFIED:		APVD W.KODAMA 26SEP05	PRODUCT SPEC			
0 PLC ± 0.3 1 PLC ± 0.3 2 PLC ± 0.3 3 PLC ± 0.3 4 PLC ± 0.3 ANGLES ± 3° FINISH		108-5560	HARD TRAY ASSY			
MATERIAL		APPLICATION SPEC	FH 0.5BTB CONNECTOR 220POS PLUG 8H WITH GROUND PLATE			
		WEIGHT	SIZE A3	CAGE CODE 00779	DRAWING NO C-6318491	RESTRICTED TO
CUSTOMER DRAWING			SCALE 1:2	SHEET 1 OF 3	REV B	

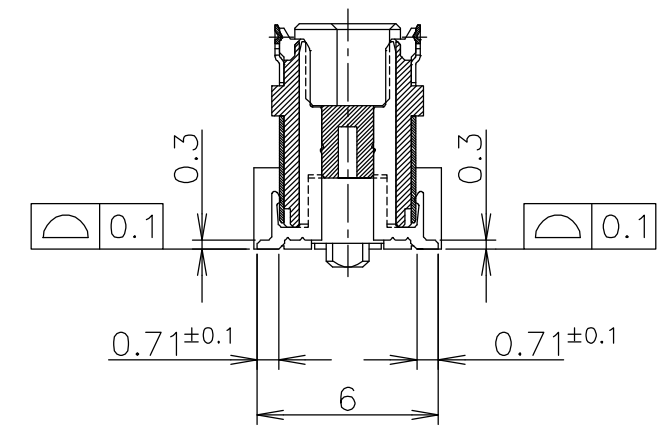
NOT FOR TEST REVISION

THIS DRAWING IS UNPUBLISHED. RELEASED FOR PUBLICATION NOV , 1996.
 © COPYRIGHT 1996 BY TYCO ELECTRONICS CORPORATION. ALL RIGHTS RESERVED.

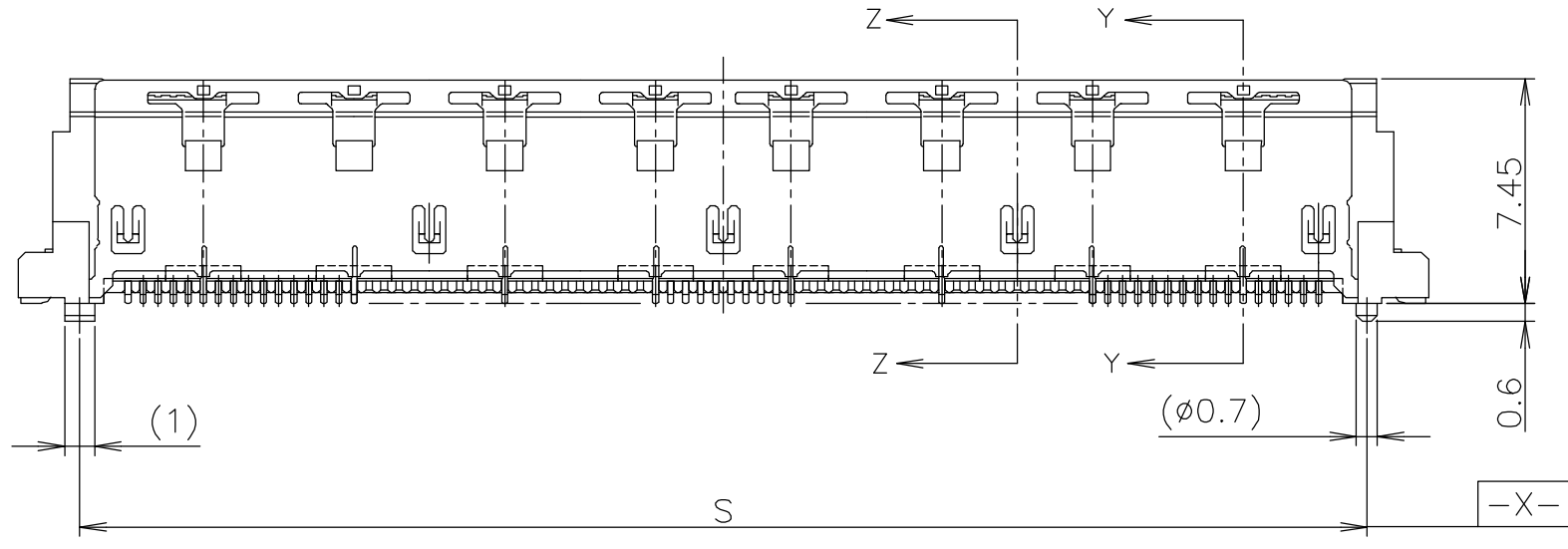
LOC	DIST	REVISIONS			
P	LTR	DESCRIPTION	DATE	DWN	APVD
		SEE SHEET 1	-	-	-



SECT. Z-Z
(SIGNAL POSITION)



SECT. Y-Y
(GROUND POSITION)



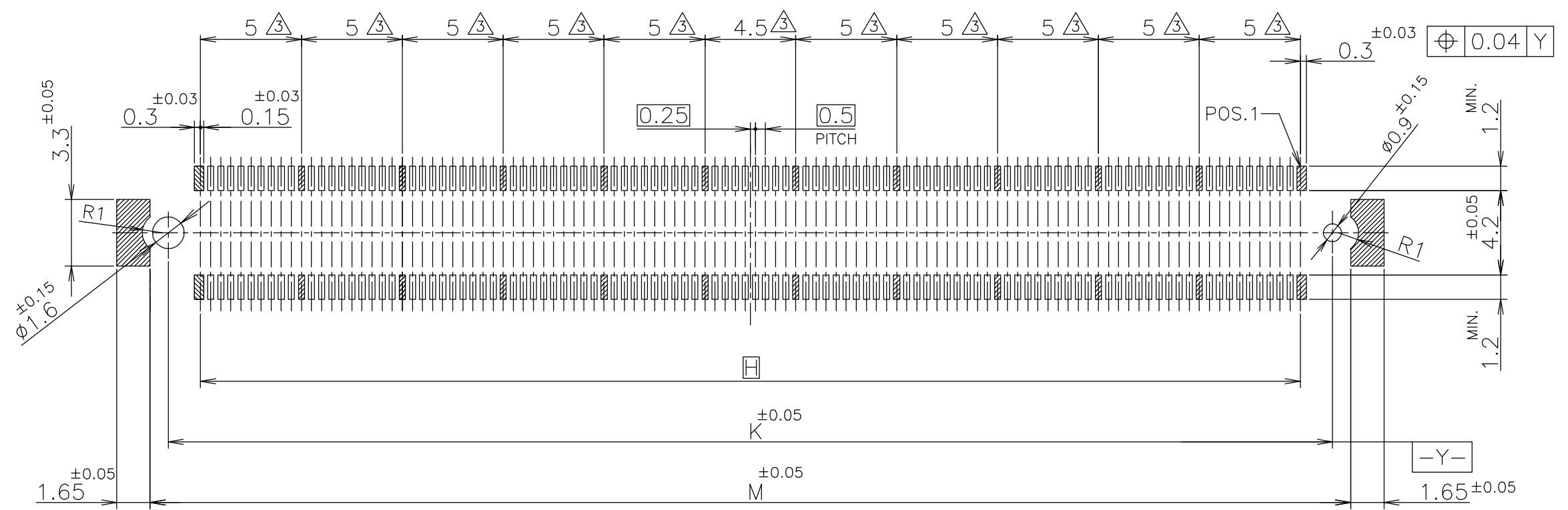
- NOTE:**
- ① MATERIAL ; HOUSING : HIGH TEMP THERMO PLASTIC UL94V-0
CONTACT : COPPER ALLOY
SOLDER PEG : COPPER ALLOY
 - ② FINISH ; SIGNAL CONTACT : UNDER PL Ni 0.0013mm MIN ALL OVER.
CONTACT AREA 0.0002mm MIN Au PL.
SOLDERING AREA 0.001mm MIN TIN PL.
GROUND CONTACT : UNDER PL Ni 0.0013mm MIN ALL OVER.
CONTACT AREA 0.0002mm MIN Au PL.
SOLDERING AREA 0.001mm MIN TIN PL.
SOLDER PEG : 0.001mm MIN TIN PL. OVER
0.0013mm MIN Ni PL ALL OVER.
 - ③ THIS POSITION IS GROUND CIRCUIT.
 - ④ THIS PRODUCT WAS COATED BY FLUX-PENETRATION-INHIAITING AGENT.

59.5	57.7	61.8	57.1	54.5	220	BLACK	8-6318491-6
59.5	57.7	61.8	57.1	54.5	220	BLACK	3-6318491-6
T	S	Q	P	N	POS.	HSG COLOR	PART NO.

THIS DRAWING IS A CONTROLLED DOCUMENT.		DWN		Tyco Electronics AMP K.K. Kawasaki, Japan	
DIMENSIONS: MM		CHK			
TOLERANCES UNLESS OTHERWISE SPECIFIED:		APVD		NAME	
0 PLC ± 0.3		PRODUCT SPEC		HARD TRAY ASSY	
1 PLC ± 0.3		APPLICATION SPEC		FH 0.5BTB CONNECTOR 220POS	
2 PLC ± 0.3		WEIGHT		PLUG 8H WITH GROUND PLATE	
3 PLC ± 0.3		SIZE		RESTRICTED TO	
4 PLC ± 0.3		CAGE CODE		A3 00779	
ANGLES ± 3'		DRAWING NO		C-6318491	
FINISH		CUSTOMER DRAWING		SCALE 4:1	
①		②		SHEET 2 OF 3	
				REV B	

THIS DRAWING IS UNPUBLISHED. RELEASED FOR PUBLICATION NOV, 1996.
 © COPYRIGHT 1996 BY TYCO ELECTRONICS CORPORATION. ALL RIGHTS RESERVED.

LOC	DIST	REVISIONS			
P	LTR	DESCRIPTION	DATE	DWN	APVD
J		SEE SHEET 1	-	-	-



REFERENCE P.C. BOARD LAYOUT

59.5	57.7	54.5	220	8-6318491-6
59.5	57.7	54.5	220	3-6318491-6
M	K	H	POS	PART NO.

THIS DRAWING IS A CONTROLLED DOCUMENT.		DWN	Tyco Electronics AMP K.K. Kawasaki, Japan			
DIMENSIONS: MM		CHK				
TOLERANCES UNLESS OTHERWISE SPECIFIED:		APVD	NAME			
0 PLC ± 0.3 1 PLC ± 0.3 2 PLC ± 0.3 3 PLC ± 0.3 4 PLC ± 0.3 ANGLES ± 3°		PRODUCT SPEC	HARD TRAY ASSY			
MATERIAL		APPLICATION SPEC	FH 0.5BTB CONNECTOR 220POS			
FINISH		WEIGHT	SIZE	CAGE CODE	DRAWING NO	RESTRICTED TO
1		A3		00779	C-6318491	
CUSTOMER DRAWING			SCALE	SHEET	OF	REV
			4:1	3	3	B