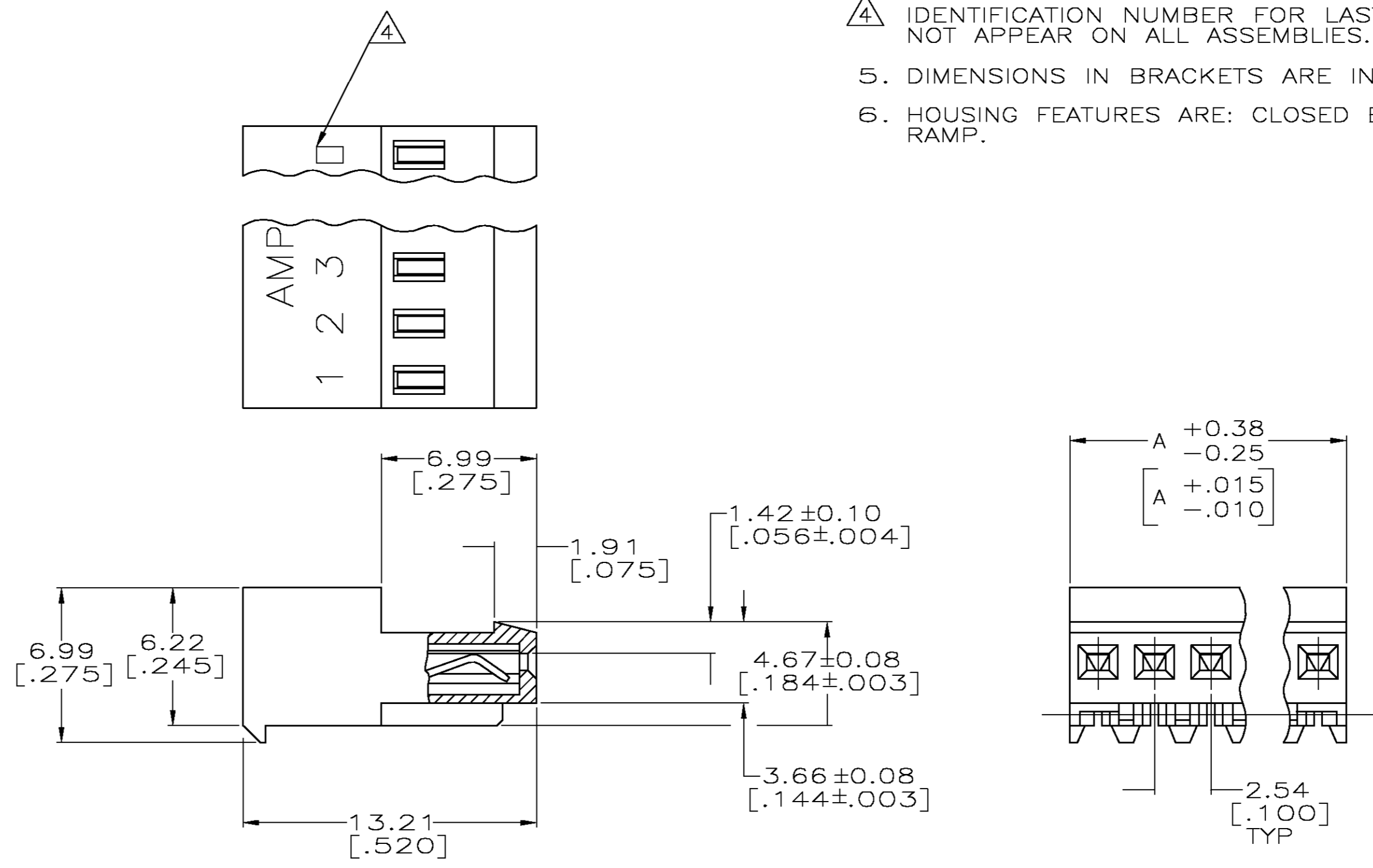


THIS DRAWING IS UNPUBLISHED. RELEASED FOR PUBLICATION  
 © COPYRIGHT BY TYCO ELECTRONICS CORPORATION. ALL RIGHTS RESERVED.

LOC	DIST	REVISIONS					
CM	00	P	LTR	DESCRIPTION	DATE	DWN	APVD
		L		REV PER ECN 0G3B-0324-03	09JUN03	SC	DB

YES	71.12	[2.800]	28	5-640440-8
YES	68.58	[2.700]	27	5-640440-7
YES	66.04	[2.600]	26	5-640440-6
YES	63.50	[2.500]	25	5-640440-5
YES	60.96	[2.400]	24	5-640440-4
YES	58.42	[2.300]	23	5-640440-3
YES	55.88	[2.200]	22	5-640440-2
YES	53.34	[2.100]	21	5-640440-1
YES	50.80	[2.000]	20	5-640440-0
YES	48.26	[1.900]	19	4-640440-9
YES	45.72	[1.800]	18	4-640440-8
YES	43.18	[1.700]	17	4-640440-7
YES	40.64	[1.600]	16	4-640440-6
YES	38.10	[1.500]	15	4-640440-5
YES	35.56	[1.400]	14	4-640440-4
YES	33.02	[1.300]	13	4-640440-3
YES	30.48	[1.200]	12	4-640440-2
YES	27.94	[1.100]	11	4-640440-1
YES	25.40	[1.000]	10	4-640440-0
YES	22.86	[.900]	9	3-640440-9
YES	20.32	[.800]	8	3-640440-8
YES	17.78	[.700]	7	3-640440-7
YES	15.24	[.600]	6	3-640440-6
YES	12.70	[.500]	5	3-640440-5
YES	10.16	[.400]	4	3-640440-4
YES	7.62	[.300]	3	3-640440-3
YES	5.08	[.200]	2	3-640440-2
NO	71.12	[2.800]	28	2-640440-8
NO	68.58	[2.700]	27	2-640440-7
NO	66.04	[2.600]	26	2-640440-6
NO	63.50	[2.500]	25	2-640440-5
NO	60.96	[2.400]	24	2-640440-4
NO	58.42	[2.300]	23	2-640440-3
NO	55.88	[2.200]	22	2-640440-2
NO	53.34	[2.100]	21	2-640440-1
NO	50.80	[2.000]	20	2-640440-0
NO	48.26	[1.900]	19	1-640440-9
NO	45.72	[1.800]	18	1-640440-8
NO	43.18	[1.700]	17	1-640440-7
NO	40.64	[1.600]	16	1-640440-6
NO	38.10	[1.500]	15	1-640440-5
NO	35.56	[1.400]	14	1-640440-4
NO	33.02	[1.300]	13	1-640440-3
NO	30.48	[1.200]	12	1-640440-2
NO	27.94	[1.100]	11	1-640440-1
NO	25.40	[1.000]	10	1-640440-0
NO	22.86	[.900]	9	640440-9
NO	20.32	[.800]	8	640440-8
NO	17.78	[.700]	7	640440-7
NO	15.24	[.600]	6	640440-6
NO	12.70	[.500]	5	640440-5
NO	10.16	[.400]	4	640440-4
NO	7.62	[.300]	3	640440-3
NO	5.08	[.200]	2	640440-2
LEADFREE	DIM A	NO. OF CIRCUITS	PART NO.	

- 1. MATERIAL: CONNECTOR - NYLON UL94V-2 (RED).  
 CONTACTS - 0.30[.012] THICK COPPER ALLOY  
 BRIGHT TIN-LEAD .00203[.000080] MIN THICKNESS  
 FOR 640440-2 THRU 2-640440-8.  
 BRIGHT TIN .00305[.000120] MIN THICKNESS  
 FOR 3-640440-2 THRU 5-640440-8.
- 2. CONTACTS ACCEPT 22 AWG WIRE WITH 1.52[.060] MAX INSULATION DIAMETER.
- 3. CONTACTS MUST ACCEPT 0.64±0.03[.025] POST AND REMAIN LOCKED IN POSITION.
- 4. IDENTIFICATION NUMBER FOR LAST CIRCUIT MAY NOT APPEAR ON ALL ASSEMBLIES.
- 5. DIMENSIONS IN BRACKETS ARE IN INCHES.
- 6. HOUSING FEATURES ARE: CLOSED END WITH LOCKING RAMP.



**METRIC**

THIS DRAWING IS A CONTROLLED DOCUMENT.		DWN S. CARPENTER 09JUN2003	Tyco Electronics Corporation Harrisburg, PA 17105	
DIMENSIONS: INCHES		CHK D. BOSSI 09JUN2003		
TOLERANCES UNLESS OTHERWISE SPECIFIED:		APVD D. BOSSI 09JUN2003	NAME MTA 100 CONNECTOR ASSEMBLY, 22 AWG, STANDARD	
0 PLC ±	1 PLC ±	PRODUCT SPEC 108-1050	SIZE A2	CAGE CODE 00779
2 PLC ±	3 PLC ± 0.13 [.005]	APPLICATION SPEC 114-1019	DRAWING NO C=640440	RESTRICTED TO -
4 PLC ±	ANGLES ±	WEIGHT	SCALE 5:1	SHEET 1 OF 1
MATERIAL 1	FINISH 1	CUSTOMER DRAWING	REV L	

A/C BUSINESS GROUP 3323 177-34 'BARRY LEWIS'