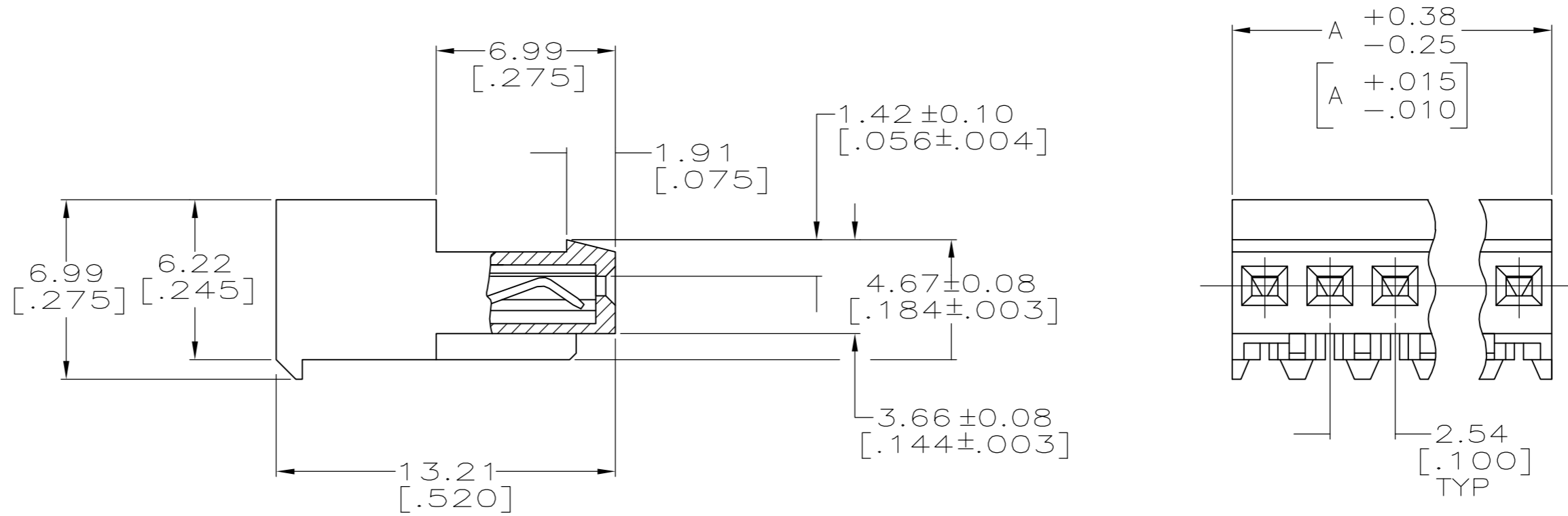
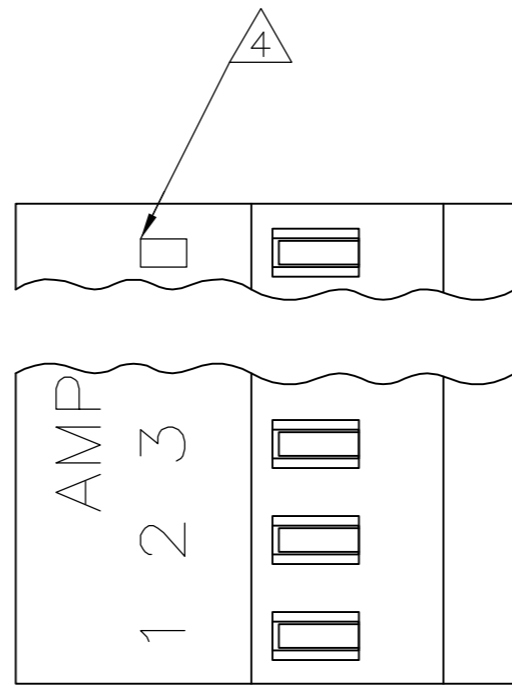


THIS DRAWING IS UNPUBLISHED. RELEASED FOR PUBLICATION  
 © COPYRIGHT BY TYCO ELECTRONICS CORPORATION. ALL RIGHTS RESERVED.

LOC	DIST	REVISIONS					
CM	00	P	LTR	DESCRIPTION	DATE	DWN	APVD
		N		REV PER ECO-07-003705	21FEB07	KW	DB

	DIM A	NO. OF CIRCUITS	PART NO.
YES	71.12[2.800]	28	5-640441-8
YES	68.58[2.700]	27	5-640441-7
YES	66.04[2.600]	26	5-640441-6
YES	63.50[2.500]	25	5-640441-5
YES	60.96[2.400]	24	5-640441-4
YES	58.42[2.300]	23	5-640441-3
YES	55.88[2.200]	22	5-640441-2
YES	53.34[2.100]	21	5-640441-1
YES	50.80[2.000]	20	5-640441-0
YES	48.26[1.900]	19	4-640441-9
YES	45.72[1.800]	18	4-640441-8
YES	43.18[1.700]	17	4-640441-7
YES	40.64[1.600]	16	4-640441-6
YES	38.10[1.500]	15	4-640441-5
YES	35.56[1.400]	14	4-640441-4
YES	33.02[1.300]	13	4-640441-3
YES	30.48[1.200]	12	4-640441-2
YES	27.94[1.100]	11	4-640441-1
YES	25.40[1.000]	10	4-640441-0
YES	22.86[.900]	9	3-640441-9
YES	20.32[.800]	8	3-640441-8
YES	17.78[.700]	7	3-640441-7
YES	15.24[.600]	6	3-640441-6
YES	12.70[.500]	5	3-640441-5
YES	10.16[.400]	4	3-640441-4
YES	7.62[.300]	3	3-640441-3
YES	5.08[.200]	2	3-640441-2
NO	71.12[2.800]	28	2-640441-8
NO	68.58[2.700]	27	2-640441-7
NO	66.04[2.600]	26	2-640441-6
NO	63.50[2.500]	25	2-640441-5
NO	60.96[2.400]	24	2-640441-4
NO	58.42[2.300]	23	2-640441-3
NO	55.88[2.200]	22	2-640441-2
NO	53.34[2.100]	21	2-640441-1
NO	50.80[2.000]	20	2-640441-0
NO	48.26[1.900]	19	1-640441-9
NO	45.72[1.800]	18	1-640441-8
NO	43.18[1.700]	17	1-640441-7
NO	40.64[1.600]	16	1-640441-6
NO	38.10[1.500]	15	1-640441-5
NO	35.56[1.400]	14	1-640441-4
NO	33.02[1.300]	13	1-640441-3
NO	30.48[1.200]	12	1-640441-2
NO	27.94[1.100]	11	1-640441-1
NO	25.40[1.000]	10	1-640441-0
NO	22.86[.900]	9	640441-9
NO	20.32[.800]	8	640441-8
NO	17.78[.700]	7	640441-7
NO	15.24[.600]	6	640441-6
NO	12.70[.500]	5	640441-5
NO	10.16[.400]	4	640441-4
NO	7.62[.300]	3	640441-3
NO	5.08[.200]	2	640441-2
LEADFREE	DIM A	NO. OF CIRCUITS	PART NO.



- 1 MATERIAL: CONNECTOR - NYLON UL94V-2 (WHITE).  
CONTACTS - 0.30[.012] THICK COPPER ALLOY BRIGHT TIN-LEAD .00203[.000080] MIN THICKNESS FOR 640441-2 THRU 2-640441-8.  
MATTE WHISKER MITIGATED TIN .00203[.000080] MIN THICKNESS OVER NICKEL UNDERPLATE FOR 3-640441-2 THRU 5-640441-8.
- 2. CONTACTS ACCEPT 24 AWG WIRE WITH 1.52[.060] MAX INSULATION DIAMETER.
- 3. CONTACTS MUST ACCEPT 0.64±0.03[.025] POST AND REMAIN LOCKED IN POSITION.
- 4 IDENTIFICATION NUMBER FOR LAST CIRCUIT MAY NOT APPEAR ON ALL ASSEMBLIES.
- 5. DIMENSIONS IN BRACKETS ARE IN INCHES.
- 6. HOUSING FEATURES ARE: CLOSED END WITH LOCKING RAMP.

**METRIC**

THIS DRAWING IS A CONTROLLED DOCUMENT.		DWN S. CARPENTER 09JUN2003	<b>tyco</b> Tyco Electronics Corporation Harrisburg, PA 17105-3608	
DIMENSIONS: mm [INCHES]		CHK D. BOSSI 09JUN2003	NAME MTA-100 CONNECTOR ASSEMBLY, 24 AWG, STANDARD	
TOLERANCES UNLESS OTHERWISE SPECIFIED: 0 PLC ± 1 PLC ± 2 PLC ± 3 PLC ± 0.13 [.005] 4 PLC ± ANGLES ± FINISH 1		APVD D. BOSSI 09JUN2003	PRODUCT SPEC 108-1050 APPLICATION SPEC 114-1019	
MATERIAL 1		WEIGHT	SIZE A2	CAGE CODE 00779
		CUSTOMER DRAWING	DRAWING NO C=640441	RESTRICTED TO -
		SCALE 5:1	SHEET 1 of 1	REV N