



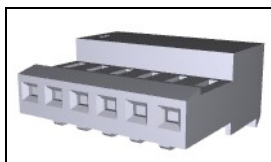
Have a Question?
Chat with a Product
Information Specialist

What can we help you find?

[Products](#) [Industries](#) [Resources](#) [About TE](#) [My Account](#) [Innovation](#) [Support Center](#)

3-640441-6 Product Details

Share Print Email



3-640441-6

TE Internal Number: 3-640441-6

Active

View 3D PDF

MTA, CST-100 II, MT-6 and SL Connectors and Headers

Always EU RoHS/ELV Compliant (Statement of Compliance)

Product Highlights:

- MTA-100 Product Line
- MTA Series
- Wire-to-Post
- Applies To Wire/Cable
- Connector

[View all Features](#)

Quick Links

- ▶ [Pricing & Availability](#)
- ▶ [Search for Tooling](#)
- ▶ [View Mating Products \(38\)](#)
- ▶ [Product Feature Selector](#)
- ▶ [Contact Us About This Product](#)

[Add to My Part List](#) [Request Sample](#) [Find Similar Products](#) [Buy Product](#)

Documentation & Additional Information	
<p>Product Drawings:</p> <ul style="list-style-type: none"> • MTA-100 CONNECTOR ASSEMBLY, 24 AWG, STANDARD (PDF, English) <p>Catalog Pages/Data Sheets:</p> <ul style="list-style-type: none"> • MTA, CST-100 II, SL-156 and AMP Economy Power (EP) C... (PDF, English) <p>Product Specifications:</p> <ul style="list-style-type: none"> • None Available <p>Application Specifications:</p> <ul style="list-style-type: none"> • MTA 100 Connector (PDF, English) <p>Instruction Sheets:</p> <ul style="list-style-type: none"> • None Available <p>CAD Files: (CAD Format & Compression Information)</p> <ul style="list-style-type: none"> • 2D Drawing (DXF, Version N) • 3D Model (IGES, Version N) • 3D Model (STEP, Version N) 	<p>Additional Information:</p> <ul style="list-style-type: none"> • Product Line Information <p>Related Products:</p> <ul style="list-style-type: none"> • Tooling • Mating Products (38)
List all Documents	

Product Features (Please use the Product Drawing for all design activity)	
<p>Product Type Features:</p> <ul style="list-style-type: none"> • Product Line = MTA-100 • Series = MTA • Product Type = Connector • Connector Type = Connector Assembly • Termination Method to Wire/Cable = IDC • PCB Mount Retention = Without • PCB Mount Alignment = Without • Connector Design = Closed End • Strain Relief = With • Wire/Cable Type = Discrete Wire • Sealed = No • UL File Number = E28476 • CSA File Number = LR7189 <p>Mechanical Attachment:</p> <ul style="list-style-type: none"> • Contact Retention = With • Mating Retention Type = Locking Ramp • Panel Mount Retention = Without • Contact Retention Type = Locking Lance <p>Electrical Characteristics:</p> <ul style="list-style-type: none"> • Contact - Rated Current (A) = 5 • Operating Voltage Reference = AC • Operating Voltage (VAC) = 250 <p>Termination Features:</p> <ul style="list-style-type: none"> • Wire/Cable Size (mm²) = 0.2 • Wire/Cable Size (AWG) = 24 <p>Body Features:</p>	<p>Housing Features:</p> <ul style="list-style-type: none"> • Connector Style = Receptacle • Centerline (mm [in]) = 2.54 [0.100] • Housing Style = Standard • Housing Material = Nylon • Housing Color = White • Mating Alignment = Without • UL Flammability Rating = UL 94V-2 <p>Configuration Features:</p> <ul style="list-style-type: none"> • Number of Positions = 6 • Post Number(s) Omitted = None • Backwall/Post Interruption(s) = Without • Number of Rows = 1 <p>Industry Standards:</p> <ul style="list-style-type: none"> • RoHS/ELV Compliance = RoHS compliant, ELV compliant • Lead Free Solder Processes = Not relevant for lead free process • RoHS/ELV Compliance History = Always was RoHS compliant • Agency/Standard = UL, CSA • UL Rating = Recognized • CSA Rating = Certified <p>Environmental:</p> <ul style="list-style-type: none"> • Operating Temperature (°C [°F]) = -55 - +105 [-67 - +221] <p>Conditions for Usage:</p> <ul style="list-style-type: none"> • Applies To = Wire/Cable • Accepts Wire Insulation Diameter, Range (mm [in]) = 1.52 [0.060]

- Wire Type = Stranded
- Mating Retention = With
- Cable Exit Angle = 90°
- Underplate Material Thickness (μm [μin]) = 0.762 [30.000]
- Assembly Integration Feature = Without

Contact Features:

- Contact Type = Socket
- Contact Base Material = Copper Alloy
- Contact Plating, Mating Area, Material = Matte Tin
- Contact Layout = In-Line
- Multiple Contact Types = Without
- Contact Plating, Mating Area, Thickness (μm [μin]) = 2.03 - 5.08 [80 - 200]
- Underplate Material = Nickel

- For Use With = MTA .100 Headers & MTA .100 IDC Posted Connectors

Operation/Application:

- Application Use = Wire-to-Post

Packaging Features:

- Packaging Method = Box
- Packaging Quantity = 500

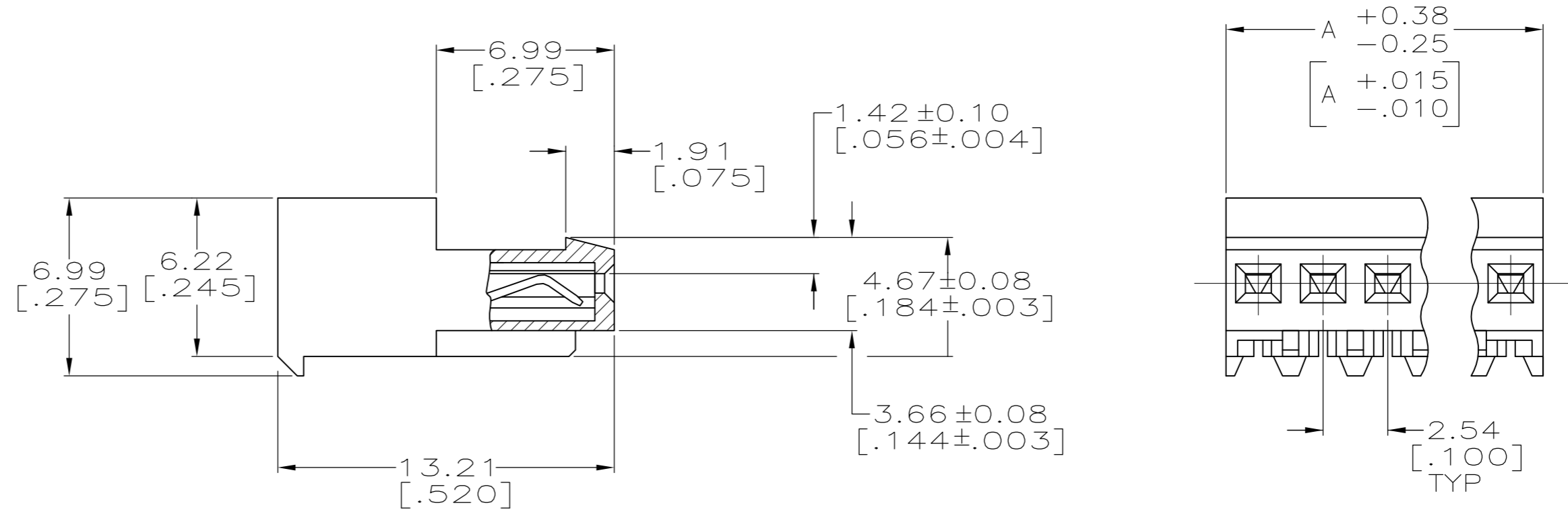
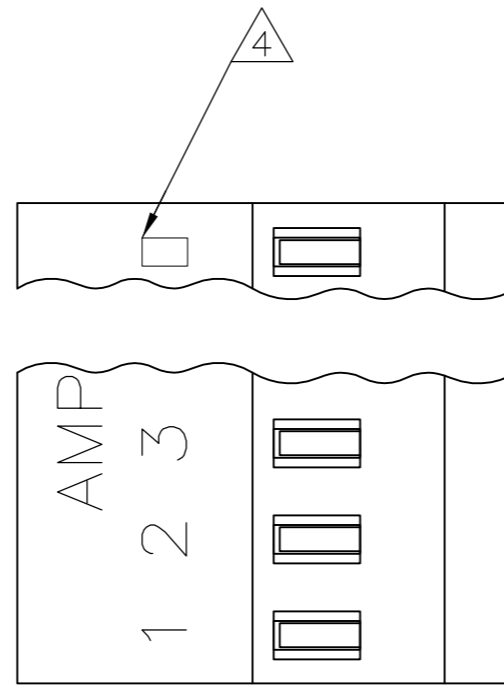
Other:

- Brand = AMP

THIS DRAWING IS UNPUBLISHED. RELEASED FOR PUBLICATION
 © COPYRIGHT - By - ALL RIGHTS RESERVED.

LOC	DIST	REVISIONS			
P	LTR	DESCRIPTION	DATE	DWN	APVD
CM	00	N2	REVISED PER ECO-11-004587	11MAR11	RK HMR

YES	DIM A	NO. OF CIRCUITS	PART NO.
YES	71.12[2.800]	28	5-640441-8
YES	68.58[2.700]	27	5-640441-7
YES	66.04[2.600]	26	5-640441-6
YES	63.50[2.500]	25	5-640441-5
YES	60.96[2.400]	24	5-640441-4
YES	58.42[2.300]	23	5-640441-3
YES	55.88[2.200]	22	5-640441-2
YES	53.34[2.100]	21	5-640441-1
YES	50.80[2.000]	20	5-640441-0
YES	48.26[1.900]	19	4-640441-9
YES	45.72[1.800]	18	4-640441-8
YES	43.18[1.700]	17	4-640441-7
YES	40.64[1.600]	16	4-640441-6
YES	38.10[1.500]	15	4-640441-5
YES	35.56[1.400]	14	4-640441-4
YES	33.02[1.300]	13	4-640441-3
YES	30.48[1.200]	12	4-640441-2
YES	27.94[1.100]	11	4-640441-1
YES	25.40[1.000]	10	4-640441-0
YES	22.86[.900]	9	3-640441-9
YES	20.32[.800]	8	3-640441-8
YES	17.78[.700]	7	3-640441-7
YES	15.24[.600]	6	3-640441-6
YES	12.70[.500]	5	3-640441-5
YES	10.16[.400]	4	3-640441-4
YES	7.62[.300]	3	3-640441-3
YES	5.08[.200]	2	3-640441-2
NO	71.12[2.800]	28	2-640441-8
NO	68.58[2.700]	27	2-640441-7
NO	66.04[2.600]	26	2-640441-6
NO	63.50[2.500]	25	2-640441-5
NO	60.96[2.400]	24	2-640441-4
NO	58.42[2.300]	23	2-640441-3
NO	55.88[2.200]	22	2-640441-2
NO	53.34[2.100]	21	2-640441-1
NO	50.80[2.000]	20	2-640441-0
NO	48.26[1.900]	19	1-640441-9
NO	45.72[1.800]	18	1-640441-8
NO	43.18[1.700]	17	1-640441-7
NO	40.64[1.600]	16	1-640441-6
NO	38.10[1.500]	15	1-640441-5
NO	35.56[1.400]	14	1-640441-4
NO	33.02[1.300]	13	1-640441-3
NO	30.48[1.200]	12	1-640441-2
NO	27.94[1.100]	11	1-640441-1
NO	25.40[1.000]	10	1-640441-0
NO	22.86[.900]	9	640441-9
NO	20.32[.800]	8	640441-8
NO	17.78[.700]	7	640441-7
NO	15.24[.600]	6	640441-6
NO	12.70[.500]	5	640441-5
NO	10.16[.400]	4	640441-4
NO	7.62[.300]	3	640441-3
NO	5.08[.200]	2	640441-2
LEADFREE	DIM A	NO. OF CIRCUITS	PART NO.



△ SUPERCEDED BY 5-640441-8
 △ SUPERCEDED BY 5-640441-7
 △ SUPERCEDED BY 5-640441-6
 △ SUPERCEDED BY 5-640441-5
 △ SUPERCEDED BY 5-640441-3
 △ SUPERCEDED BY 5-640441-1

- △ MATERIAL: CONNECTOR - NYLON UL94V-2 (WHITE).
 CONTACTS - 0.30[.012] THICK COPPER ALLOY BRIGHT TIN-LEAD .00203[.000080] MIN THICKNESS FOR 640441-2 THRU 2-640441-8.
 MATTE WHISKER MITIGATED TIN .00203[.000080] MIN THICKNESS OVER NICKEL UNDERPLATE FOR 3-640441-2 THRU 5-640441-8.
- 2. CONTACTS ACCEPT 24 AWG WIRE WITH 1.52[.060] MAX INSULATION DIAMETER.
- 3. CONTACTS MUST ACCEPT 0.64±0.03[.025] POST AND REMAIN LOCKED IN POSITION.
- △ IDENTIFICATION NUMBER FOR LAST CIRCUIT MAY NOT APPEAR ON ALL ASSEMBLIES.
- 5. DIMENSIONS IN BRACKETS ARE IN INCHES.
- 6. HOUSING FEATURES ARE: CLOSED END WITH LOCKING RAMP.
- △ OBSOLETE PARTS: OBSOLETE CIS STREAMLINING PER D.RENAUD/D.SINISI

METRIC

THIS DRAWING IS A CONTROLLED DOCUMENT.		DWN S. CARPENTER 09JUN2003		
DIMENSIONS: mm [INCHES]		CHK D. BOSSI 09JUN2003		
TOLERANCES UNLESS OTHERWISE SPECIFIED: 0 PLC ± 1 PLC ± 2 PLC ± 3 PLC ± 0.13 [.005] 4 PLC ± ANGLES ±		APVD D. BOSSI 09JUN2003	NAME	
MATERIAL △		PRODUCT SPEC 108-1050	MTA-100 CONNECTOR ASSEMBLY, 24 AWG, STANDARD	
FINISH △		APPLICATION SPEC 114-1019	SIZE A2	CAGE CODE 00779
		WEIGHT	DRAWING NO C=640441	RESTRICTED TO -
		CUSTOMER DRAWING	SCALE 5:1	SHEET 1 of 1
			REV N2	