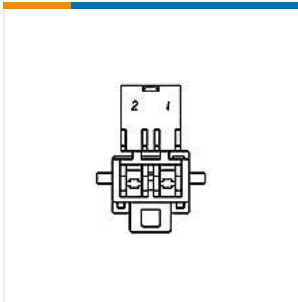




## CONNECTOR HOUSINGS



✓ Active

↓ **PRODUCT DRAWING**  
English

↓ **3D PDF**

**TE CONNECTIVITY (TE)**  
**2P TAB HSG BLK**  
[AMP | Timer Connector System](#)

**365057-3**  
TE Internal Number: 365057-3  
Alias ID: 0-0365057-3

[Always EU RoHS/ELV Compliant](#)

Connector Style **Housing for female terminals**

Mating Tab Width **2.8 mm [ .11 in ]**

Number of Positions **2**

Pitch **6.2 mm [ .244 in ]**

Sealed **No**

### Product Drawings

[2 POS. TAB-HOUSING](#)  
PDF **(TIFF AVAILABLE)**  
English

[2 POS. TAB-HOUSING](#)  
PDF **(TIFF AVAILABLE)**  
English

### CAD Files

[3D PDF](#)  
PDF  
English

[Customer View Model](#)  
2D\_DXF.ZIP  
English

[Customer View Model](#)  
3D\_IGS.ZIP  
English

[Customer View Model](#)  
3D\_STP.ZIP  
English

Please review product documents or [contact us](#) for the latest agency approval information. Please Note: Use the Product Drawing for all design activity.

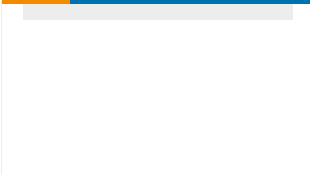
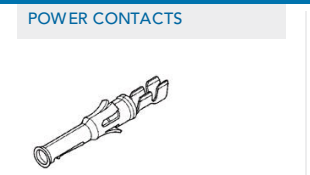
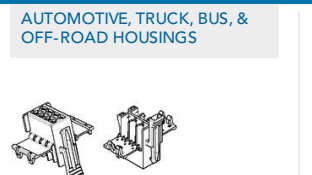
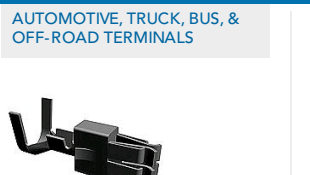
### Product Type Features

Connector Style	Housing for female terminals
Sealed	<b>No</b>
Hybrid Connector	<b>No</b>
Primary Locking Feature	<b>On the terminal</b>
Connector System	<b>Wire-to-Wire</b>
Row-to-Row Spacing	<b>3.4 mm [ .134 in ]</b>

Configuration Features	Number of Positions	<b>2</b>
	Number of Rows	<b>1</b>
Body Features	Connector Code	<b>3</b>
	Body Material	<b>PA</b>
	Color	<b>Black</b>
Contact Features	Mating Tab Width	<b>2.8 mm [ .11 in ]</b>
Mechanical Attachment	Terminal Position Assurance	<b>Yes</b>
	Polarized	<b>No</b>
Housing Features	Pitch	<b>6.2 mm [ .244 in ]</b>
Dimensions	Height	<b>31.3 mm [ 1.232 in ]</b>
	Length	<b>20.2 mm [ .795 in ]</b>
Industry Standards	UL Flammability Rating	<b>UL 94V-2</b>
Packaging Features	Packaging Method	<b>Bag</b>
Other	Connector Position Assurance Capable	<b>No</b>
	Serviceable	<b>Yes</b>

Product Compliance [Statement of Compliance PDF](#)  
[VIEW ALL PRODUCT COMPLIANCE](#)

## CUSTOMERS ALSO BOUGHT

 <p><b>DIE F2.8FF TAB</b> 539743-2</p>	<p><b>POWER CONTACTS</b></p>  <p><b>TYPE VI SKT CONT, MULTIMATE</b> 66594-1</p>	<p><b>AUTOMOTIVE, TRUCK, BUS, &amp; OFF-ROAD HOUSINGS</b></p>  <p><b>2X 5P JUN POW TIMGH</b> 929504-4</p>	<p><b>AUTOMOTIVE, TRUCK, BUS, &amp; OFF-ROAD TERMINALS</b></p>  <p><b>STD PW TIMER CONTACT</b> 927836-2</p>
---	--	---	--

