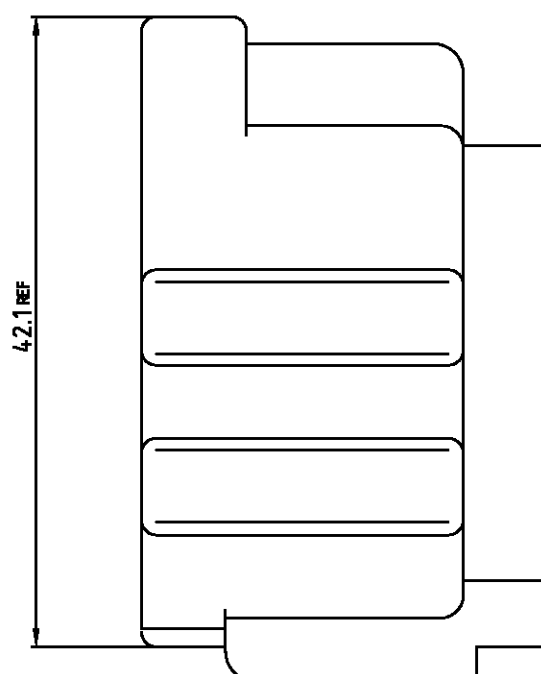
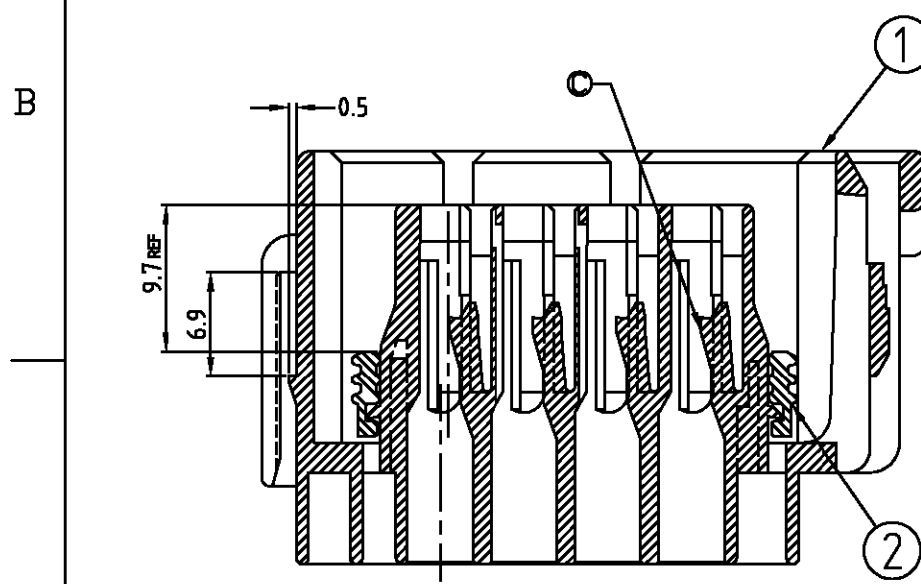
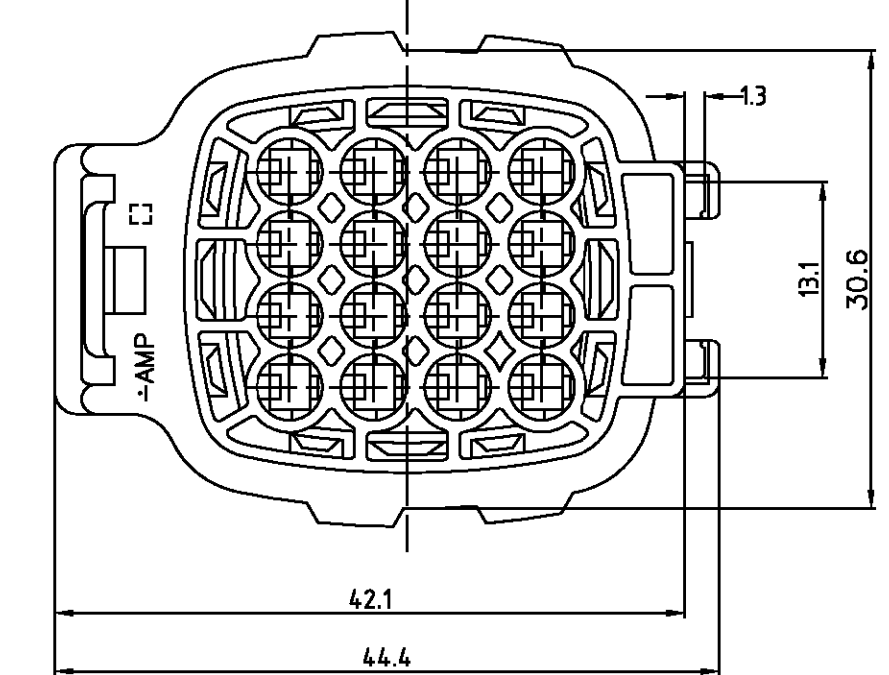
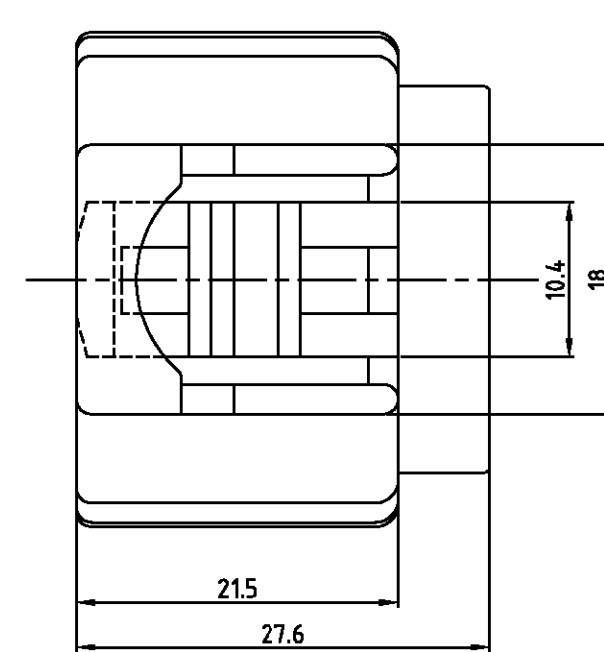
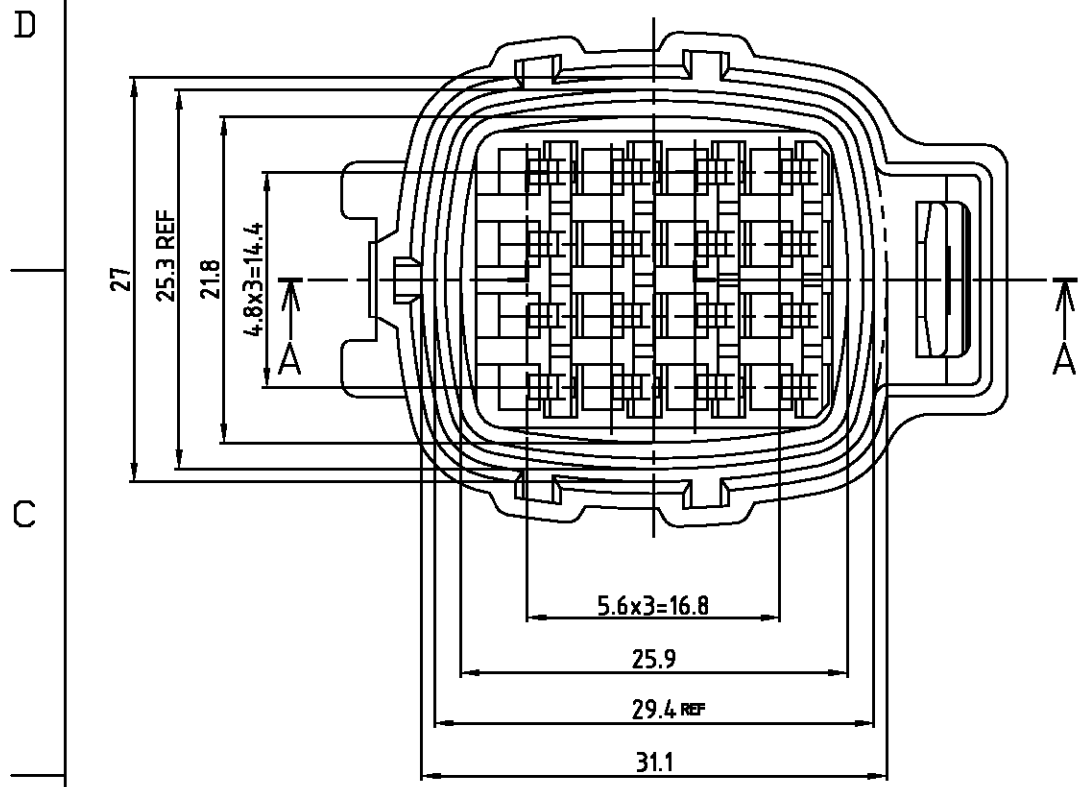


LOC DS

DIST

REVISIONS

P	LTR	DESCRIPTION	DATE	DWN	APVD
A		REVISED ECN(FC00-0024-03)	11,FEB,03	JW	CS
B		REVISED ECN(FC00-0027-03)	19,FEB,03	JW	CS
C		REVISED ECN(FC00-0170-03)	12,DEC,03	YH	CS



NOTE.

1. FOR CAP HOUSING P/N 368050
2. THIS PART IS COMPOSED OF PLUG HOUSING P/N 368048 AND SEAL RING P/N 368810-1/-4
3. THIS PART MUST BE USED WITH DOUBLE LOCK PLATE P/N 368049
4. APPLICABLE CLIP P/N 368121

	(B)	(A)
	1-368047-3	1-368047-1
	368047-3	368047-1

NO	PART NO.	DESCRIPTION	MATERIAL	COLOR	REV.	Q'TY PER ASS'Y
2	368810-4	SEAL RING FOR EJ MKII(+) PLUG ASS'Y	SILICONE	BROWN	E	1 1 - -
	368810-1	SEAL RING FOR EJ MKII(+) PLUG ASS'Y	NBR	BLACK	E	- - 1 1
1	368048-3	EJ MKII(+) 16Pos. PLUG HSG	PBT	GRAY	B	1 - 1 -
	368048-1	EJ MKII(+) 16Pos. PLUG HSG	PBT	BLACK	B	- 1 - 1

THIS DRAWING IS CONTROLLED DOCUMENT FOR AMP INCORPORATED. IT IS SUBJECT TO CHANGE AND THE CONTROLLING ENGINEERING ORGANIZATION SHOULD BE CONTACTED FOR THE LATEST REVISION.		DWNYHNA			AMP KOREA, kyungsan, korea	
DIMENSIONS: MM		CHK BH JANG			NAME	
TOLERANCES UNLESS OTHERWISE SPECIFIED: 0 <XX<10 ± 0.2 10<XX<30 ± 0.25 30<XX ± 0.3 ANGLES ± 3°		APVD CS LEE	PRODUCT SPEC		SIZE	A3
3rd ANGLE PROJECTION		APPLICATION SPEC	DRAWING NO		CAGE CODE	00779
MATERIAL SEE TABLE		WEIGHT	DRAWING NO		DRAWING NO	C= 368047
			SCALE	2:1	SHEET	1 OF 1
					REV	C