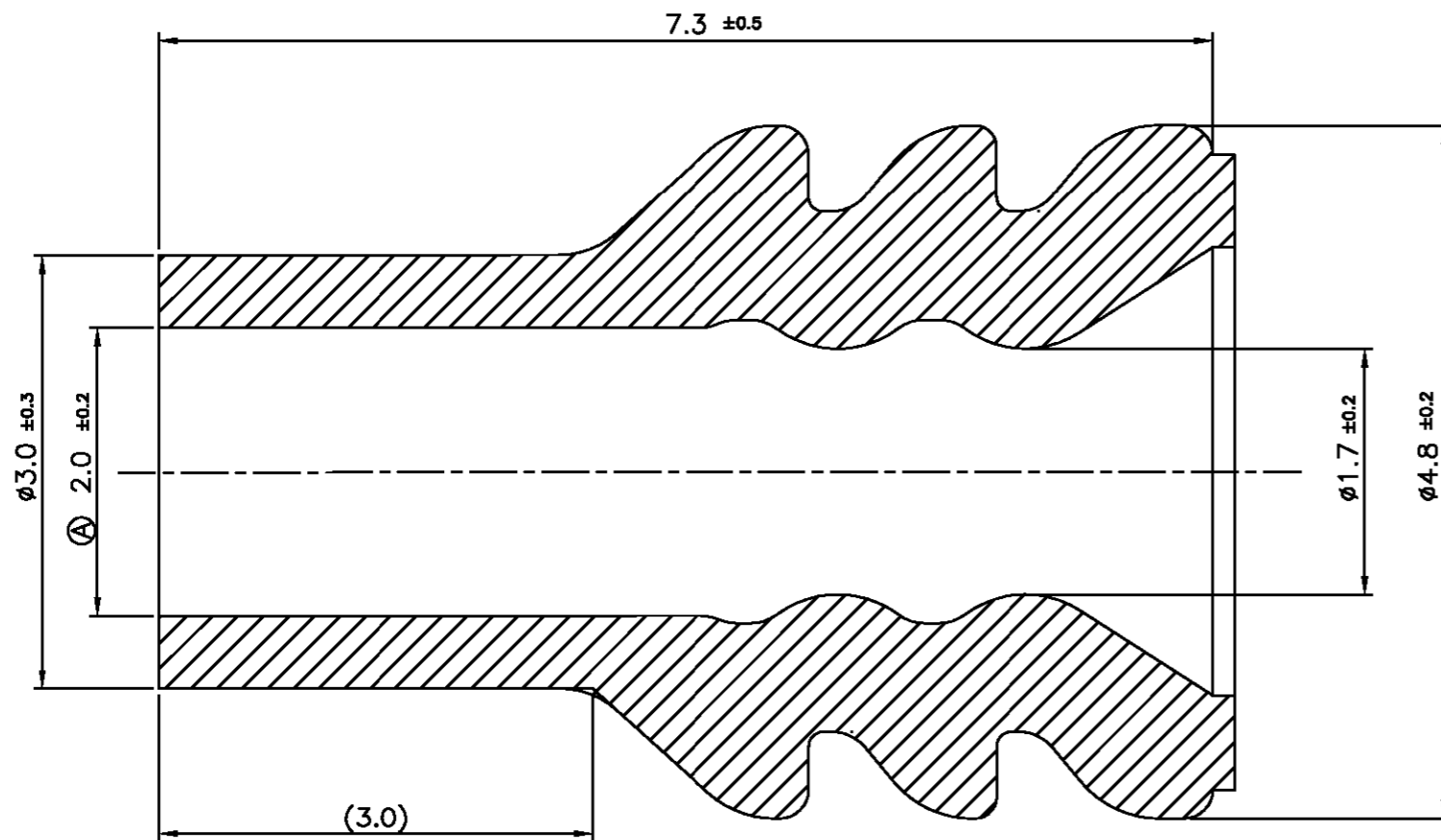
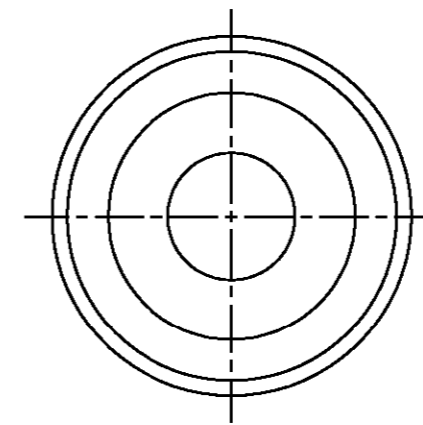
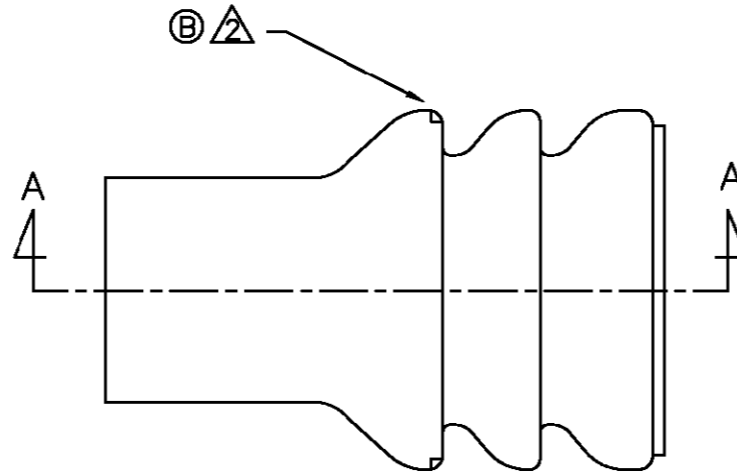
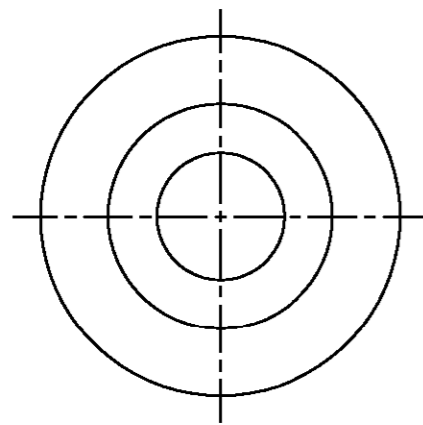


P	LTR	DESCRIPTION	DATE	DWN	APVD
B1		REVISED PER ECO-11-005294	12APR11	RK	HMR



SECT. A-A

NOTE

1. GENERAL TOLERANCE: ±0.2

ⓑ ⓐ ACCEPTABLE OPTION FIGURE BY MANUFACTURING PROCESS BUT MUST BE NO PROBLEM IN FUNCTION

P/N	MATERIAL	COLOR	HARDNESS	INSULATION DIA
368120-1	SILOPLEN (SILICONE)	BLACK	50-58°	1.8 - 2.6 mm
368120-2	SILOPLEN (SILICONE)	GRAY	50-58°	1.8 - 2.6 mm
388120-4	SILOPLEN (SILICONE)	GREEN	50-58°	1.8 - 2.6 mm

DIMENSIONS: MM 3rd ANGLE PROJECTION		TOLERANCES UNLESS OTHERWISE SPECIFIED: 0<XX<10 ±0.2 10<XX<30 ±0.25 30<XX<100 ±0.3 ANGLES ±3°		DWN CHK APVD PRODUCT SPEC APPLICATION SPEC		TE Connectivity	
MATERIAL SEE TABLE		FINISH		WEIGHT 0.08 g		NAME NEW RUBBER SEAL (EJ MK-II(+))	
				SIZE A3		CAGE CODE 00779	
				DRAWING NO 3 6 8 1 2 0		SCALE N/S	
				SHEET 1 OF 1		REV B1	

Mouser Electronics

Authorized Distributor

Click to View Pricing, Inventory, Delivery & Lifecycle Information:

[TE Connectivity:](#)

[368120-2](#)