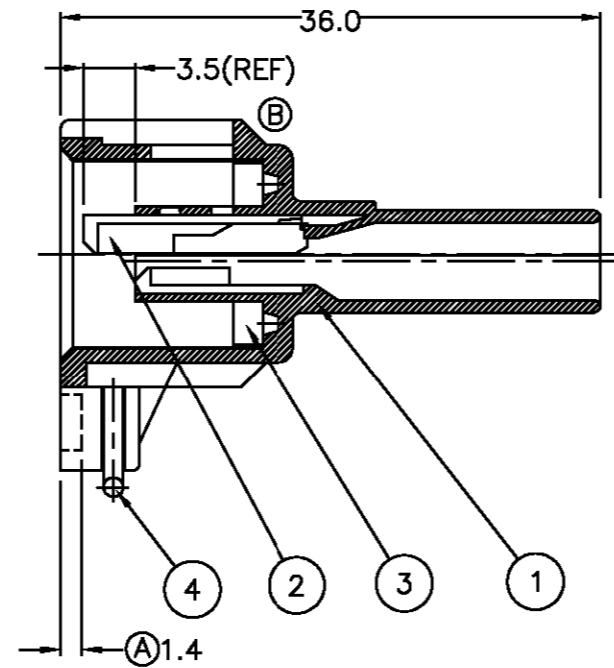
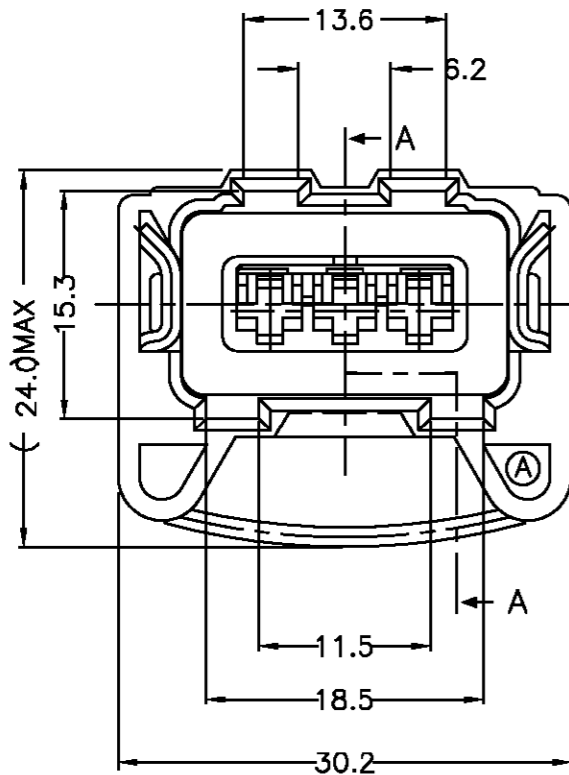
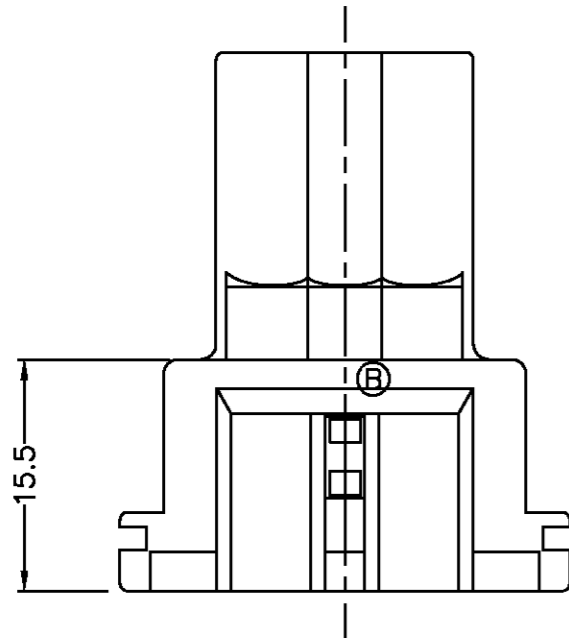


P	LTR	DESCRIPTION	DATE	DWN	APVD
	0	RELEASED(RD97-202)	'97 30/SEP	YD	JK
	A	REVISED(RD98-063)	'98 16/MAR	YD	CS
	B	REVISED(FC00-0018-00)	'00 24/FEB	YD	CS



SECTION A-A

* NOTES *

- 1. APPLICABLE CONTACT P/NO: 927770 / 927766
- 2. APPLICABLE WIRE SEAL P/NO: 828904 / 828905 / 368064

NO	P/NO	DESCRIPTION	MATERIAL	COLOR	REQUIRED Q'TY
4	85388-1	SPRING	SUS 304		1
3	85384-1	SEAL RUBBER	SILICONE	ORANGE	1
2	85207-1	SPACER	PBT	YELLOW	1
1	368216-1	JPT 3P HSG FOR KNOCK SENSOR	PBT 30% GF	LIGHT GRAY	1

THIS DRAWING IS A CONTROLLED DOCUMENT FOR AMP INCORPORATED. IT IS SUBJECT TO CHANGE AND THE CONTROLLING ENGINEERING ORGANIZATION SHOULD BE CONTACTED FOR THE LATEST REVISION.

DIMENSIONS: MM		TOLERANCES UNLESS OTHERWISE SPECIFIED: 0<XX<10 ± 0.2 10<XX<30 ± 0.25 30<XX<100 ± 0.3 ANGLES ± 3°		DWN		AMP AMP KOREA. kyungsan, korea	
3rd ANGLE PROJECTION		MATERIAL		CHK			
APVD		PRODUCT SPEC		APVD		NAME	
APPLICATION SPEC		WEIGHT		PRODUCT SPEC		JPT 3P ASS'Y FOR KNOCK SENSOR	
SIZE		CAGE CODE		APPLICATION SPEC		DRAWING NO	
A3		00779		114-18018		C= 368215	
SCALE		SHEET		WEIGHT		REV	
2/1		1 OF 1		6.35g		B	