

4

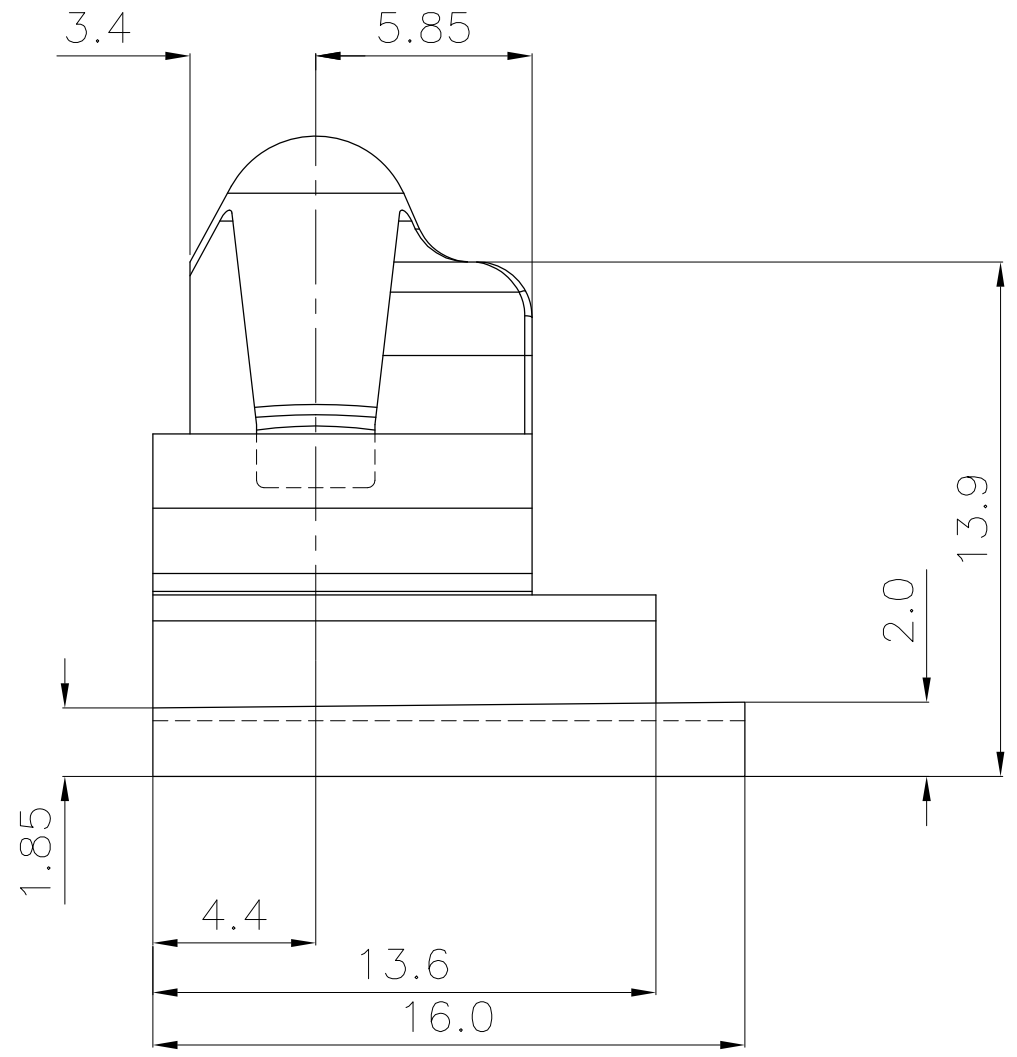
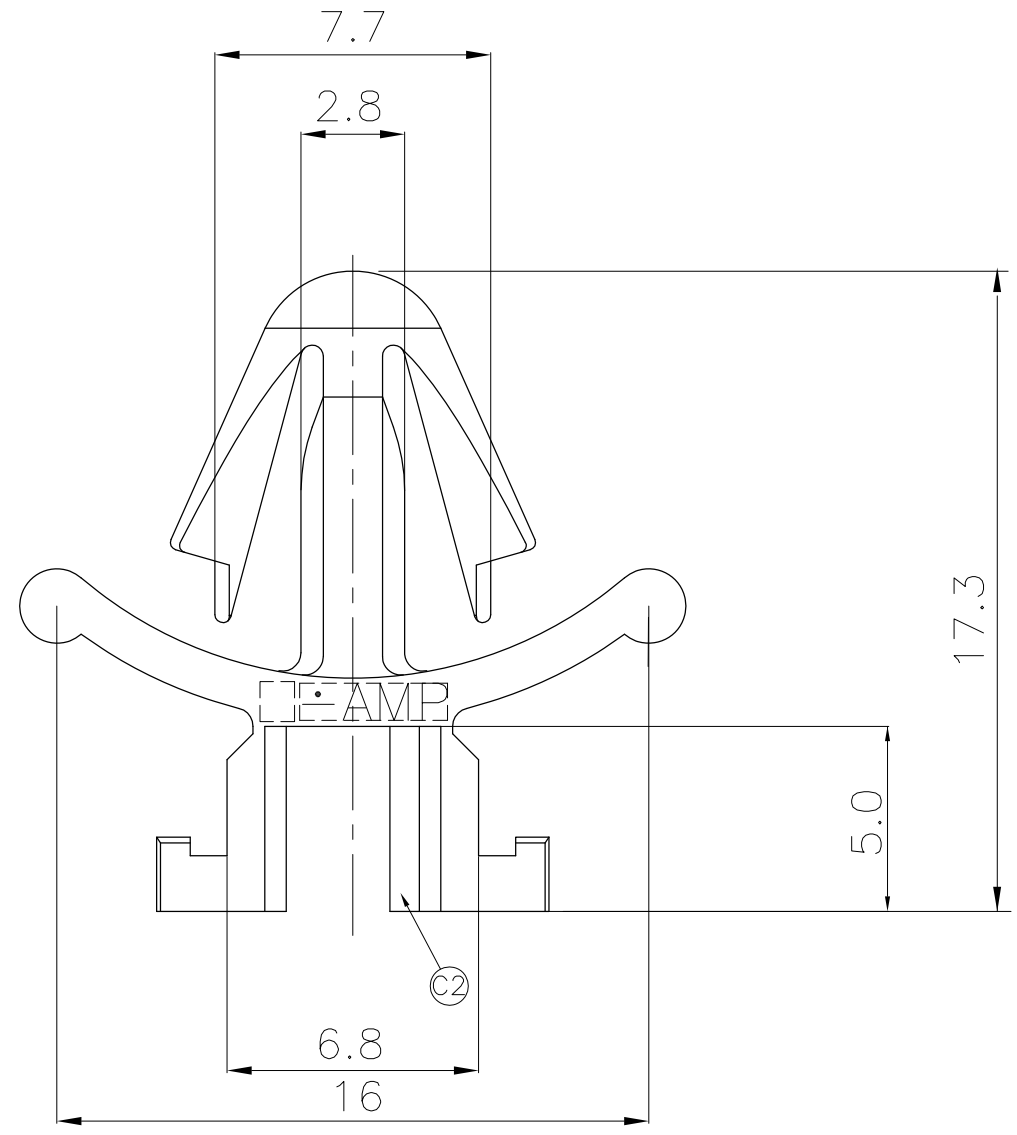
3

2

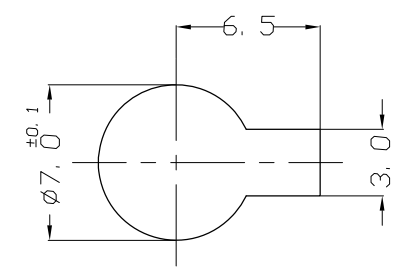
1

THIS DRAWING IS UNPUBLISHED. RELEASED FOR PUBLICATION  
© COPYRIGHT BY TYCO ELECTRONICS CORPORATION, ALL RIGHTS RESERVED.

LOC	DIST	REVISIONS					
		P	LTR	DESCRIPTION	DATE	DWN	APVD
DS	-		C1	REVISED (FC00-0197-04)	24.AUG.'04	JG	CS
			C2	REVISED (ECR-09-017139)	31.AUG.'09	KT	HG



NOTE  
1. PANNEL HOLE SIZE (PANNEL t=0.7~1.6)



BLACK	PA66	CLIP HSG	368317-1
COLOR	MATERIAL	DESCRIPTION	P/N

<small>THIS DRAWING IS A CONTROLLED DOCUMENT FOR TYCO ELECTRONICS CORPORATION IT IS SUBJECT TO CHANGE AND THE CONTROLLING ENGINEERING ORGANIZATION SHOULD BE CONTACTED FOR THE LATEST REVISION.</small>		D/WN KT JUNG CHK JW JUNG APVD HG CHD PRODUCT SPEC - APPLICATION SPEC - WEIGHT -		<b>Tyco Electronics</b> AMP KOREA, Kyungsan, Korea NAME CLIP HSG FOR MQS CONNECTOR	
DIMENSIONS: MM	TOLERANCES UNLESS OTHERWISE SPECIFIED: 0 <XX<10 ± 0.2 10<XX<30 ± 0.25 30<XX ± 0.3 ANGLES ± 3°	SIZE	CAGE CODE	DRAWING NO	RESTRICTED TO
MATERIAL SEE TABLE	FINISH	A3	00779	C=368317	-
CUSTOMER DRAWING				SCALE 5/1	SHEET 1 OF 1 REV C2

# Mouser Electronics

Authorized Distributor

Click to View Pricing, Inventory, Delivery & Lifecycle Information:

[TE Connectivity:](#)

[368317-1](#)