

4

3

2

1

THIS DRAWING IS UNPUBLISHED.

RELEASED FOR PUBLICATION

,19

© COPYRIGHT 19

BY AMP INCORPORATED. ALL RIGHTS RESERVED.

LOC

DIST

REVISIONS

DS

P

LTR

DESCRIPTION

DATE

DWN

APVD

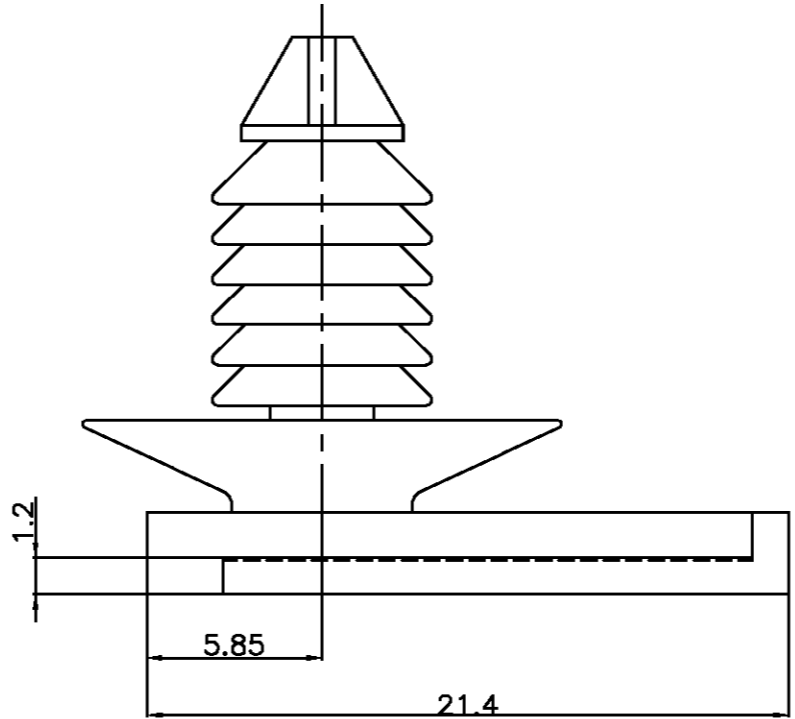
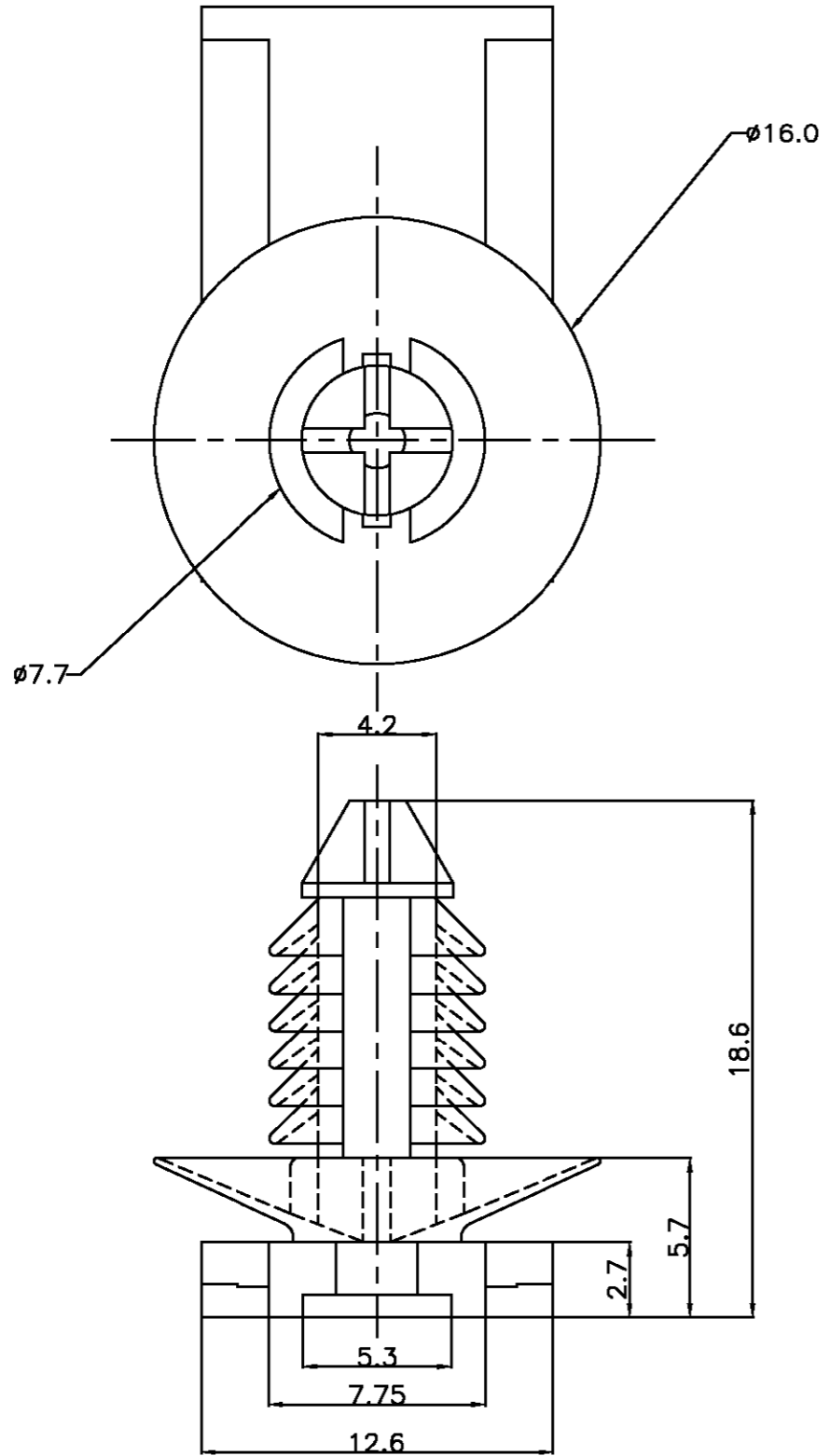
O

RELEASED(FC00-0131-99)

27,NOV,'99

HS

CS



NOTES

- 1. MATERIAL: PA66
- 2. COLOR

BLACK	368373-1
COLOR	PART NO.

THIS DRAWING IS A CONTROLLED DOCUMENT FOR AMP INCORPORATED. IT IS SUBJECT TO CHANGE AND THE CONTROLLING ENGINEERING ORGANIZATION SHOULD BE CONTACTED FOR THE LATEST REVISION.

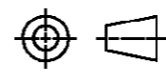
DWN HS,BAE

CHK BM,JANG

DIMENSIONS:
MM

TOLERANCES UNLESS OTHERWISE SPECIFIED:

- 0 <XX<10 ± 0.2
- 10<XX<30 ± 0.25
- 30<XX ± 0.3
- ANGLES ± 3°



3rd ANGLE PROJECTION

MATERIAL

FINISH

APVDCS,LEE

PRODUCT SPEC

APPLICATION SPEC

WEIGHT

AMP

AMP KOREA.
kyungsan, korea

NAME

CLIP HSG FOR 070 & EJ (7Ø PANEL)

SIZE

CAGE CODE

DRAWING NO

A3

00779

C=

368373

SCALE 4/1

SHEET 1 OF 1

REV 0

Mouser Electronics

Authorized Distributor

Click to View Pricing, Inventory, Delivery & Lifecycle Information:

[TE Connectivity:](#)

[368373-1](#)