

THIS DRAWING IS UNPUBLISHED.

RELEASED FOR PUBLICATION

,19

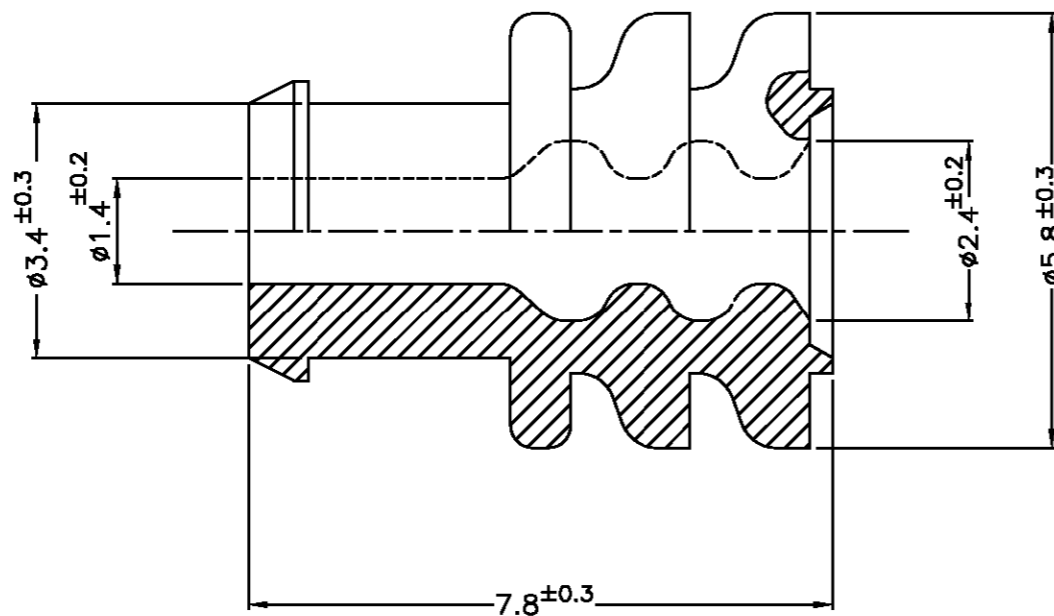
© COPYRIGHT 19

BY AMP INCORPORATED. ALL RIGHTS RESERVED.

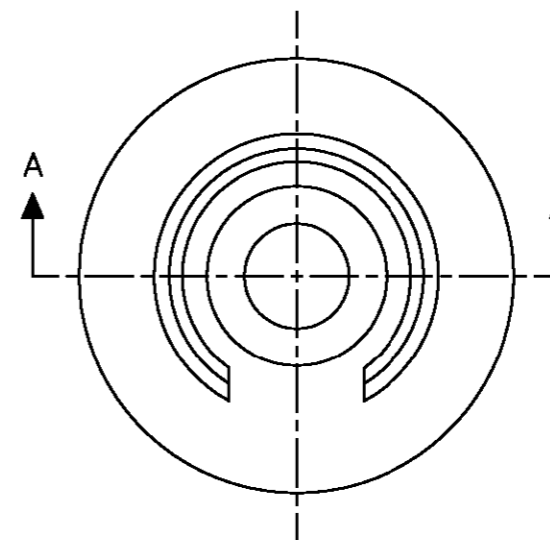
LDC DS

REVISIONS

P	LTR	DESCRIPTION	DATE	DWN	APVD
	0	RELEASED(FC00-0029-00)	29/FEB '00	YD	CS
	A	REVISED(FC00-0068-00)	31/MAY '00	YD	CS



SECTION A-A



NOTE :

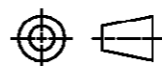
P/N	MATERIAL	COLOR	HARNESS	INSULATION ϕ
368933-1	SILICONE	WHITE	(A) 45 \pm 5°	ϕ 2.2-3.0mm

THIS DRAWING IS A CONTROLLED DOCUMENT FOR AMP INCORPORATED. IT IS SUBJECT TO CHANGE AND THE CONTROLLING ENGINEERING ORGANIZATION SHOULD BE CONTACTED FOR THE LATEST REVISION.

DIMENSIONS: MM

TOLERANCES UNLESS OTHERWISE SPECIFIED:

0<XX<10 \pm 0.2
 10<XX<30 \pm 0.25
 30<XX<100 \pm 0.3
 ANGLES \pm 3°



3rd ANGLE PROJECTION

MATERIAL

FINISH

DVN	
CHK	
APVD	
PRODUCT SPEC	
APPLICATION SPEC	
WEIGHT	0.13 g

AMP

AMP KOREA.
kyungsan, korea

NAME
NEW WIRE SEAL FOR JPT (TYPE II)

SIZE	CAGE CODE	DRAWING NO
A3	00779	C- 3 6 8 9 3 3

SCALE	SHEET	OF	REV
10/1	1	1	A

Mouser Electronics

Authorized Distributor

Click to View Pricing, Inventory, Delivery & Lifecycle Information:

[TE Connectivity:](#)

[368933-1](#)