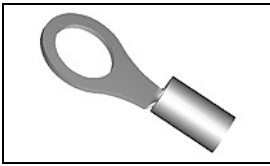


36915 Product Details

[Share](#) [Print](#) [Email](#)



36915

TE Internal Number: 36915

Active

[View 3D PDF](#)

Ring and Spade Tongue Terminals

Always EU RoHS/ELV Compliant (Statement of Compliance)

Product Highlights:

- Terminal Shape = Ring Tongue
- Receptacle Style = Straight
- Body Style = SOLISTRAND
- Barrel Type = Closed Barrel
- Wire/Cable Type = Regular Wire

[View all Features](#)

Quick Links

- ▶ [Pricing & Availability](#)
- ▶ [Search for Tooling](#)
- ▶ [Product Feature Selector](#)
- ▶ [Contact Us About This Product](#)

[Add to My Part List](#) [Request Sample](#) [Find Similar Products](#) [Buy Product](#)

Documentation & Additional Information

Product Drawings:

- [TERMINAL, RING TONGUE, SOLISTRAND, WIRE SIZE: 50.0mm...](#) (PDF, English)

Catalog Pages/Data Sheets:

- None Available

Product Specifications:

- None Available

Application Specifications:

- None Available

Instruction Sheets:

- None Available

CAD Files: [\(CAD Format & Compression Information\)](#)

- [2D Drawing](#) (DXF, Version J)
- [3D Model](#) (IGES, Version J)
- [3D Model](#) (STEP, Version J)

[List all Documents](#)

Related Products:

- [Tooling](#)

Product Features (Please use the Product Drawing for all design activity)

Product Type Features:

- [Terminal Shape](#) = Ring Tongue
- [Receptacle Style](#) = Straight
- [Barrel Type](#) = Closed Barrel
- [Wire/Cable Type](#) = Regular Wire
- [Insulation](#) = No
- [Insulation Support](#) = Non-Insulation Support
- [Stud Diameter \(mm \[in\]\)](#) = 6.73 [0.265]
- Stud Size = 1/4 [M6]
- [Shape](#) = RING-049
- [Heavy Duty](#) = No
- [Finish](#) = Tin

Termination Features:

- [Wire/Cable Size \(CMA\)](#) = 83,700 - 119,500

Dimensions:

- [Barrel I.D. Min. \(mm \[in\]\)](#) = 11.28 [0.444]

Body Features:

- [Body Style](#) = SOLISTRAND
- [Wire Range \(mm \[AWG\]\)](#) = 41.00-60.00; [1/0]
- [Material](#) = Copper

Industry Standards:

- [Government/Industry Qualification](#) = No
- [RoHS/ELV Compliance](#) = RoHS compliant, ELV compliant
- [Lead Free Solder Processes](#) = Not relevant for lead free process
- [RoHS/ELV Compliance History](#) = Always was RoHS compliant

Packaging Features:

- [Packaging Method](#) = Loose Piece

Other:

- [Brand](#) = AMP

Corporate Information

- [About TE](#)
- [Investors](#)
- [News Room](#)
- [Supplier Portal](#)
- [Careers](#)
- [Terms & Conditions](#)

Quick Links

- [Distributor Inventory](#)
- [Product Cross Reference](#)
- [Documents & Drawings](#)
- [Product Compliance Support Center](#)
- [Site Map](#)

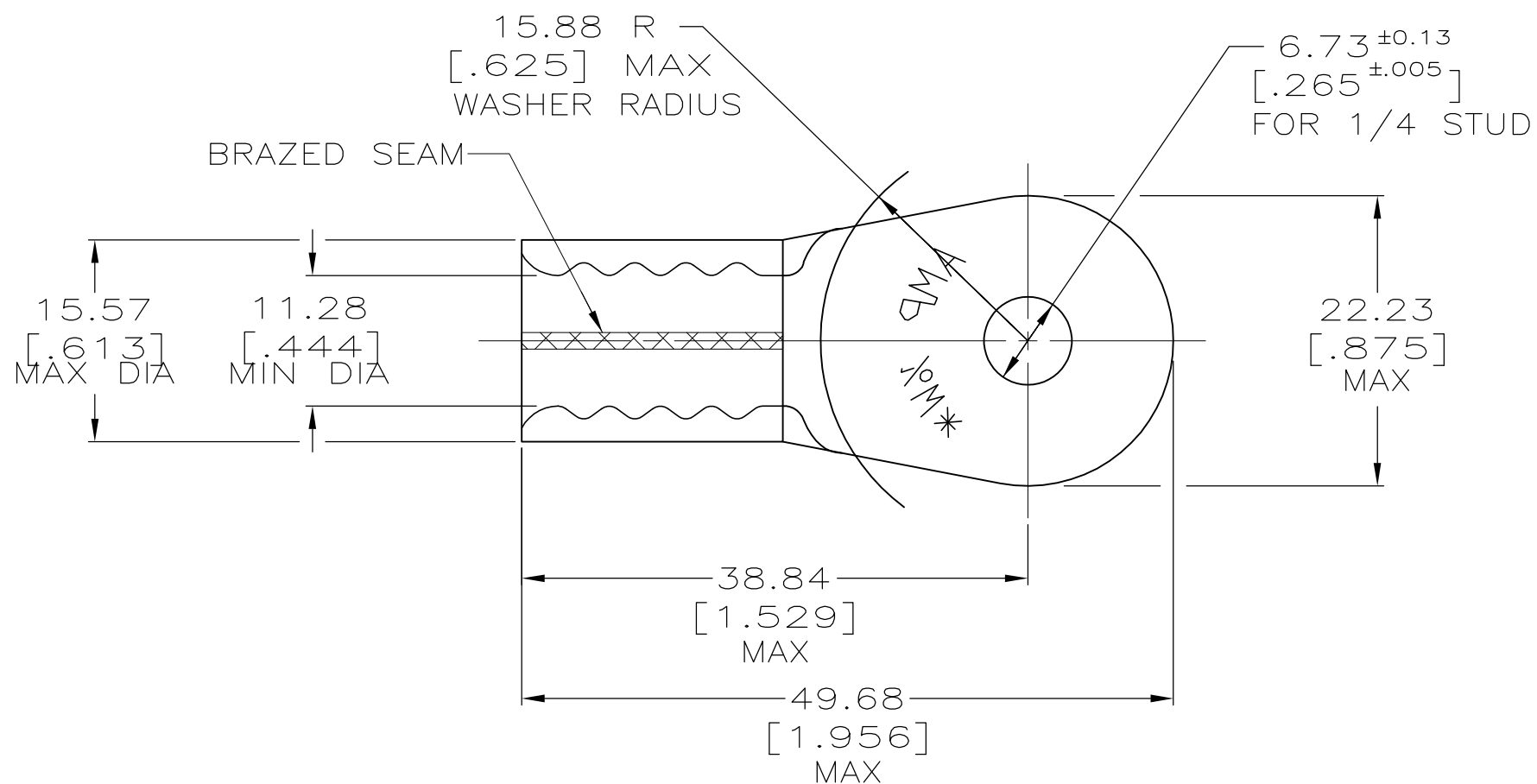
Customer Support

- [Email or Chat With Us](#)
- [Find a Phone Number](#)
- [Knowledge Base](#)
- [Manage Your Account](#)

THIS DRAWING IS UNPUBLISHED. RELEASED FOR PUBLICATION
 © COPYRIGHT BY TYCO ELECTRONICS CORPORATION. ALL INTERNATIONAL RIGHTS RESERVED.

LOC	DIST	REVISIONS					
		P	LTR	DESCRIPTION	DATE	DWN	APVD
G	14		J1	REV PER ECR 09-015243	29JUL09	JR	TM

AMP WIRE RANGE	E13288 Listed	LR7189 Certified
1/0 AWG SOLID OR STRANDED	1/0 AWG STRANDED	1/0 AWG SOLID OR STRANDED



- 1 TIN PL 0.00254 [.000100] MIN THK PER MIL-T-10727
- 2 GOLD PL 0.00127 [.000050] MIN THK PER MIL-G-45204 OVER NICKEL PL 0.00076 [.000030] MIN THK PER QQ-C-290
- 3 SILVER PL 0.01270 [.000500] MIN THK PER QQ-S-365
- 4 SEE RESTRICTED CUSTOMER DRAWING 2-36915-3

		2-36915-3
OBSOLETE		2-36915-2
OBSOLETE		2-36915-1
		36915
	FINISH	MATERIAL
		COPPER ASTM B-152 1.78±0.08 [.070±.003] ANNEALED
		PART NO.

THIS DRAWING IS A CONTROLLED DOCUMENT.		DWN DK SCHRUM 7/2/91	Tyco Electronics Corporation Harrisburg, PA 17105-3608	
DIMENSIONS: MM [INCHES]		CHK RD HEIM 8/15/91	NAME	
TOLERANCES UNLESS OTHERWISE SPECIFIED:		APVD AJ KAUFMAN 8/16/91	TERMINAL, RING TONGUE, SOLISTRAND, WIRE SIZE: 50.0mm ² [1/0] AWG	
0 PLC ± -		PRODUCT SPEC	SIZE	CAGE CODE
1 PLC ± -		APPLICATION SPEC	A3	00779
2 PLC ± 0.20 [.008]		WEIGHT	DRAWING NO	
3 PLC ± -			C-36915	
4 PLC ± -			RESTRICTED TO	
ANGLES ± -				
MATERIAL SEE TABLE	FINISH SEE TABLE	CUSTOMER DRAWING		SCALE 2:1
		SHEET 1 OF 1		REV J1