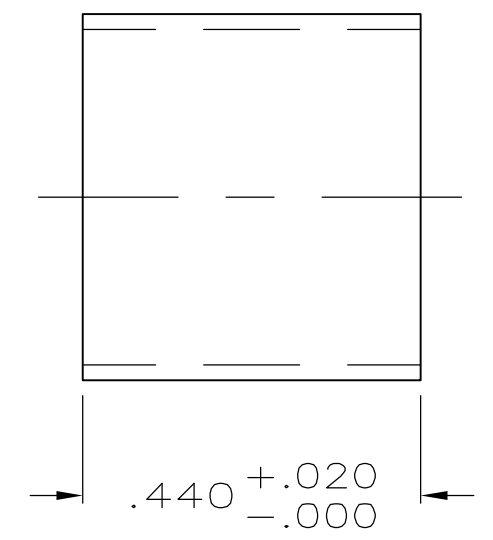
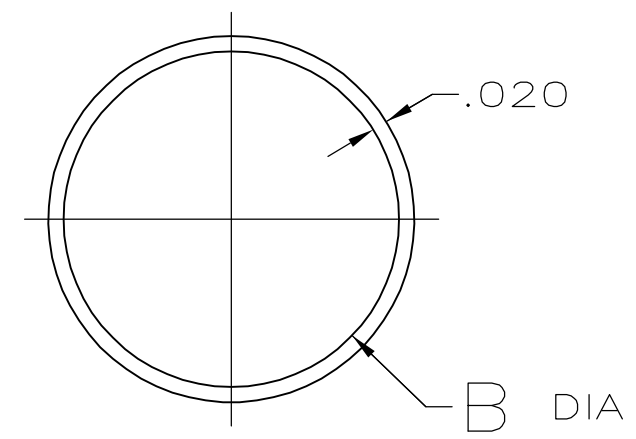
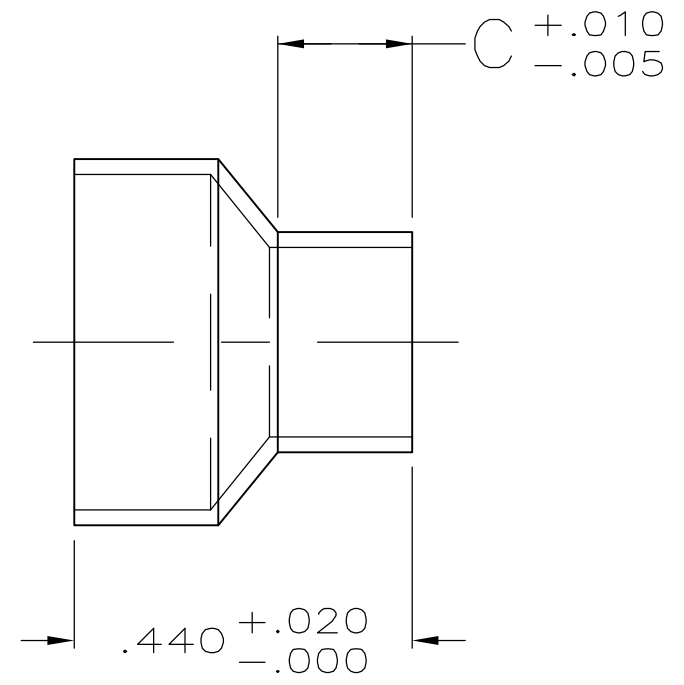
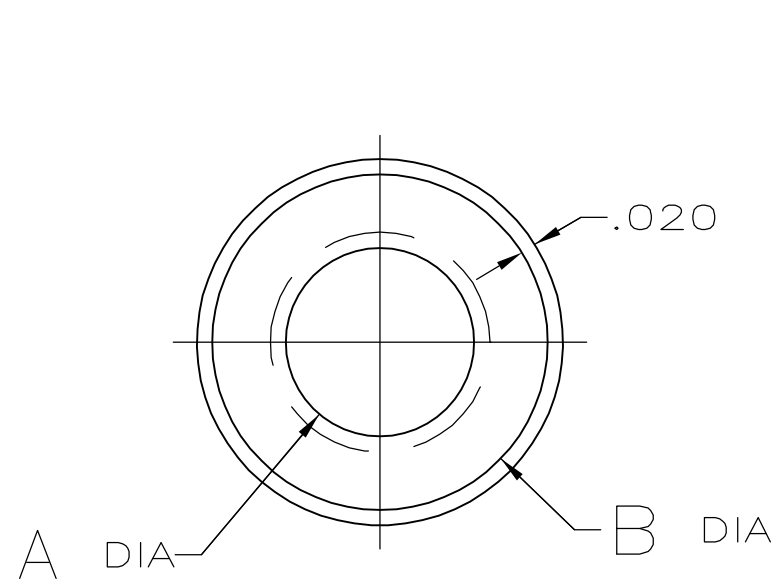


THIS DRAWING IS UNPUBLISHED. RELEASED FOR PUBLICATION
 © COPYRIGHT BY TYCO ELECTRONICS CORPORATION. ALL RIGHTS RESERVED.

LOC	DIST	REVISIONS					
GP	00	P	LTR	DESCRIPTION	DATE	DWN	APVD
			K1	REVISED PER ECO-06-020813	30OCT06	JDP	CWR



STYLE I (STEPPED)

STYLE II (STRAIGHT)

	②	I I	.460-.400	-	.460	-	3-747579-6
	②	I	.375-.324	.175	.437	.375	3-747579-4
	②	I	.324-.246	.175	.437	.324	3-747579-2
	②	I	.246-.165	.175	.437	.246	3-747579-0
	②	I I	.437-.375	-	.437	-	2-747579-7
OBSOLETE	①	I I	.460-.400	-	.460	-	1-747579-4
OBSOLETE	①	I I	.437-.375	-	.437	-	1-747579-2
OBSOLETE	①	I	.375-.324	.175	.437	.375	1-747579-1
	①	I	.324-.246	.175	.437	.324	1-747579-0
	①	I	.246-.165	.175	.437	.246	747579-8
FINISH	STYLE	INSULATION RANGE DIAMETER, REF	C	B	A	PART NUMBER	

① .000200 MIN BRIGHT TIN-LEAD OVER .000100 MIN COPPER.
 ② .000200 MIN BRIGHT TIN OVER .000100 MIN COPPER.

THIS DRAWING IS A CONTROLLED DOCUMENT.

DIMENSIONS: INCHES	TOLERANCES UNLESS OTHERWISE SPECIFIED:	DWN B. MCMASTER 21MAY04	Tyco Electronics Corporation Harrisburg, Pa 17105-3608
	0 PLC ± - 1 PLC ± - 2 PLC ± - 3 PLC ± .005 4 PLC ± - ANGLES ± -	CHK J. GERACE 21MAY04 APVD M. WALMSLEY 21MAY04 PRODUCT SPEC APPLICATION SPEC	
MATERIAL STEEL, ANNEALED	FINISH SEE TABLE	WEIGHT -	NAME FERRULE, OUTER, SIZES 1 THRU 3, SHIELDING HARDWARE, AMPLIMITE® SIZE A3 CAGE CODE 00779 DRAWING NO C-747579 RESTRICTED TO -
CUSTOMER DRAWING			SCALE 4:1 SHEET 1 OF 1 REV K1