

### 3-747579-2 Product Details



**3-747579-2**

TE Internal Number: 3-747579-2



#### Standard Cable Connectors

 Always EU RoHS/ELV Compliant (Statement of Compliance)

#### Product Highlights:

- Accessory
- Accessory Type = Ferrule
- Product Series = HD-20 (Solder Cup), HDE-20 (IDC), HDP-20 (Crimp Snap), HDP-22 (Crimp Snap)
- Ferrule Shape = Stepped
- Shell Size = 1, 2, 3

#### Documentation & Additional Information

##### Product Drawings:

- [FERRULE, OUTER, SIZES 1 THRU 3, SHIELDING HARDWARE, ...](#) (PDF, English)

##### Catalog Pages/Data Sheets:

- [AMPLIMITE Subminiature D Connectors - Cable Connectors](#) (PDF, English)

##### Product Specifications:

- None Available

##### Application Specifications:

- [AMPLIMITE HDE-20 Shielding Hardware Kits With and Wi...](#) (PDF, English)
- [AMPLIMITE Connectors for Coaxial and Signal HD-20 Co...](#) (PDF, English)

##### Instruction Sheets:

- [Shielding Hardware Kits w/AMPLIMITE hde-20 hdp-20 an...](#) (PDF, English)
- [Shielding Hardware Enclosure Kits with AMPLIMITE\\* HD...](#) (PDF, English)
- [Shielding Hardware Kits with AMPLIMITE HD-20 Solder ...](#) (PDF, English)
- [Crimping Die Assemblies f/AMPLIMITE Connectors](#) (PDF, English)

##### CAD Files: (CAD Format & Compression Information)

- [2D Drawing](#) (DXF, Version W)
- [3D Model](#) (IGES, Version W)
- [3D Model](#) (STEP, Version W)

##### Additional Information:

- [Product Line Information](#)

##### Related Products:

- [Tooling](#)

#### Product Features (Please use the Product Drawing for all design activity)

##### Product Type Features:

- **Product Type** = Accessory
- **Accessory Type** = Ferrule
- **Product Series** = HD-20 (Solder Cup), HDE-20 (IDC), HDP-20 (Crimp Snap), HDP-22 (Crimp Snap)
- **Shell Size** = 1, 2, 3
- **Shell Type** = Full Metal Shell
- **Grade** = Standard

##### Dimensions:

- **Cable Insulation Diameter (mm [in])** = 6.25 - 8.23 [0.246 - 0.324]

##### Body Features:

- **Ferrule Shape** = Stepped
- **Ferrule Material** = Steel (annealed)
- **Ferrule Plating** = Bright Tin

##### Industry Standards:

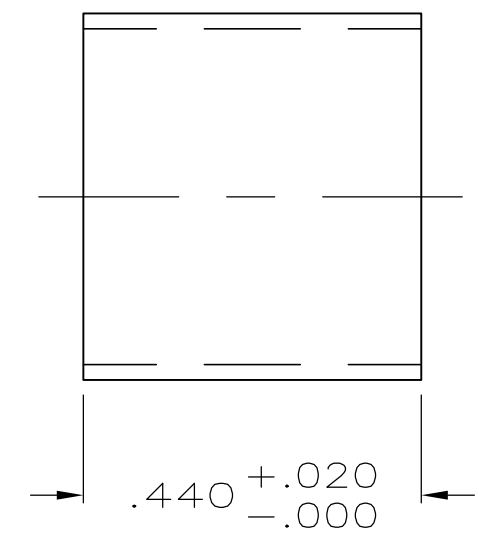
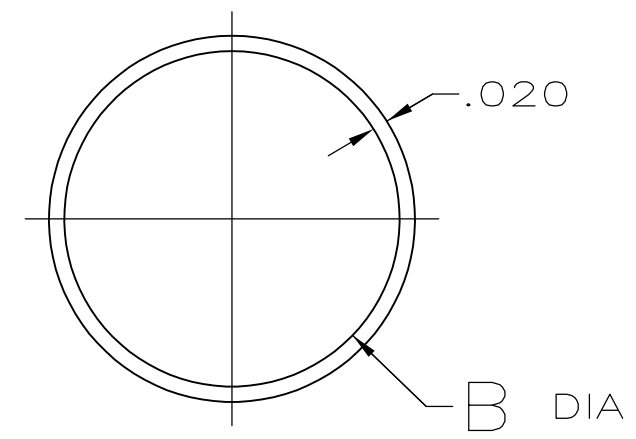
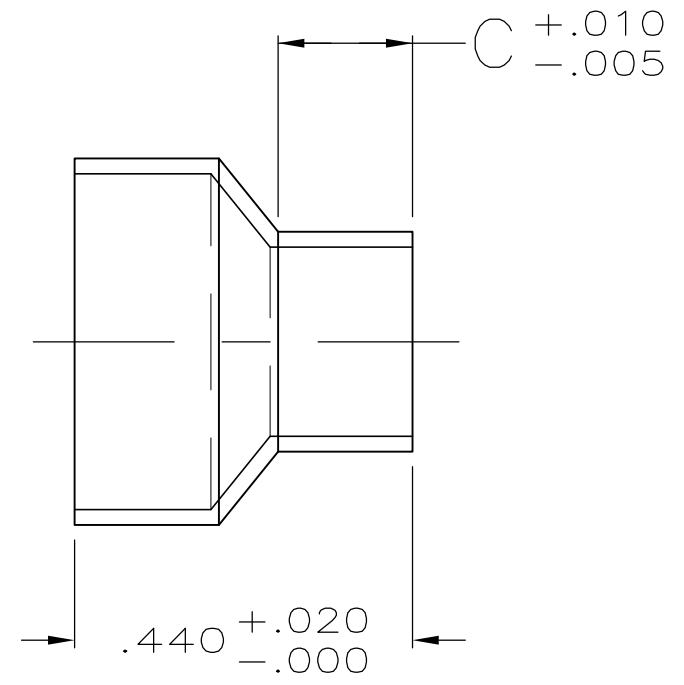
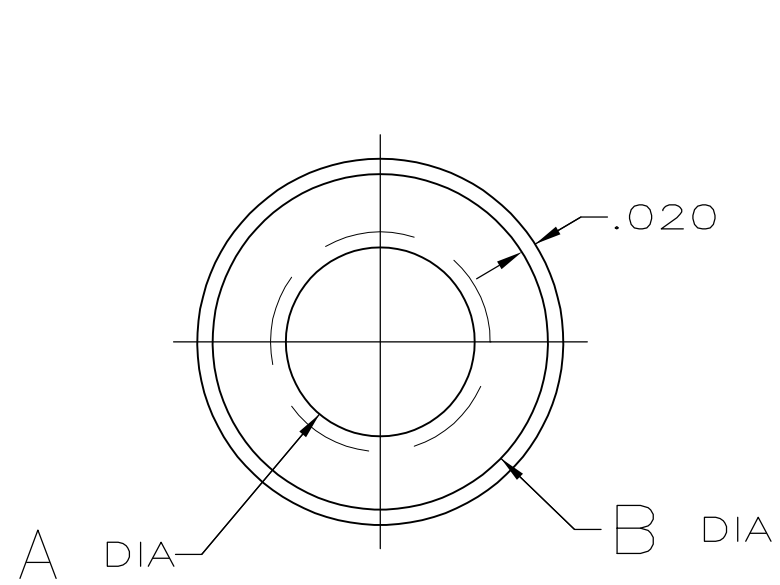
- **RoHS/ELV Compliance** = RoHS compliant, ELV compliant
- **Lead Free Solder Processes** = Not relevant for lead free process
- **RoHS/ELV Compliance History** = Always was RoHS compliant

##### Other:

- **Brand** = AMP

THIS DRAWING IS UNPUBLISHED. RELEASED FOR PUBLICATION  
 © COPYRIGHT - By - ALL RIGHTS RESERVED.

LOC	DIST	REVISIONS			
P	LTR	DESCRIPTION	DATE	DWN	APVD
GP	00				
	K3	REVISED PER ECO-11-004835	11MAR11	RK	HMR



STYLE I (STEPPED)

STYLE II (STRAIGHT)

	2	I I	.460-.400	-	.460	-	3-747579-6
	2	I	.375-.324	.175	.437	.375	3-747579-4
	2	I	.324-.246	.175	.437	.324	3-747579-2
	2	I	.246-.165	.175	.437	.246	3-747579-0
	2	I I	.437-.375	-	.437	-	2-747579-7
OBSOLETE	1	I I	.460-.400	-	.460	-	1-747579-4
OBSOLETE	1	I I	.437-.375	-	.437	-	1-747579-2
OBSOLETE	1	I	.375-.324	.175	.437	.375	1-747579-1
OBSOLETE	1	I	.324-.246	.175	.437	.324	1-747579-0
OBSOLETE	1	I	.246-.165	.175	.437	.246	747579-8
FINISH	STYLE	INSULATION RANGE DIAMETER, REF	C	B	A	PART NUMBER	

1 .000200 MIN BRIGHT TIN-LEAD OVER .000100 MIN COPPER.  
 2 .000200 MIN BRIGHT TIN OVER .000100 MIN COPPER.

THIS DRAWING IS A CONTROLLED DOCUMENT.

DIMENSIONS: INCHES	TOLERANCES UNLESS OTHERWISE SPECIFIED:	DWN B. MCMASTER 21MAY04	TE Connectivity FERRULE, OUTER, SIZES 1 THRU 3, SHIELDING HARDWARE, AMPLIMITE®
	0 PLC ± -	CHK J. GERACE 21MAY04	
	1 PLC ± -	APVD M. WALMSLEY 21MAY04	
	2 PLC ± -	PRODUCT SPEC	
MATERIAL	FINISH	APPLICATION SPEC	NAME
STEEL, ANNEALED	SEE TABLE	WEIGHT -	SIZE CAGE CODE DRAWING NO RESTRICTED TO
CUSTOMER DRAWING			A3 00779 C-747579
SCALE 4:1			SHEET 1 OF 1 REV K3