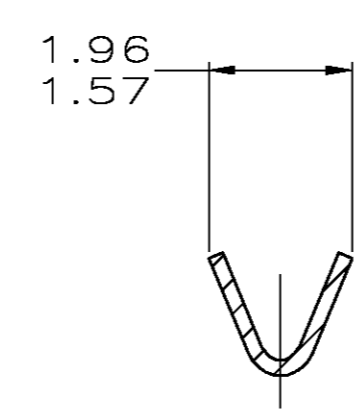
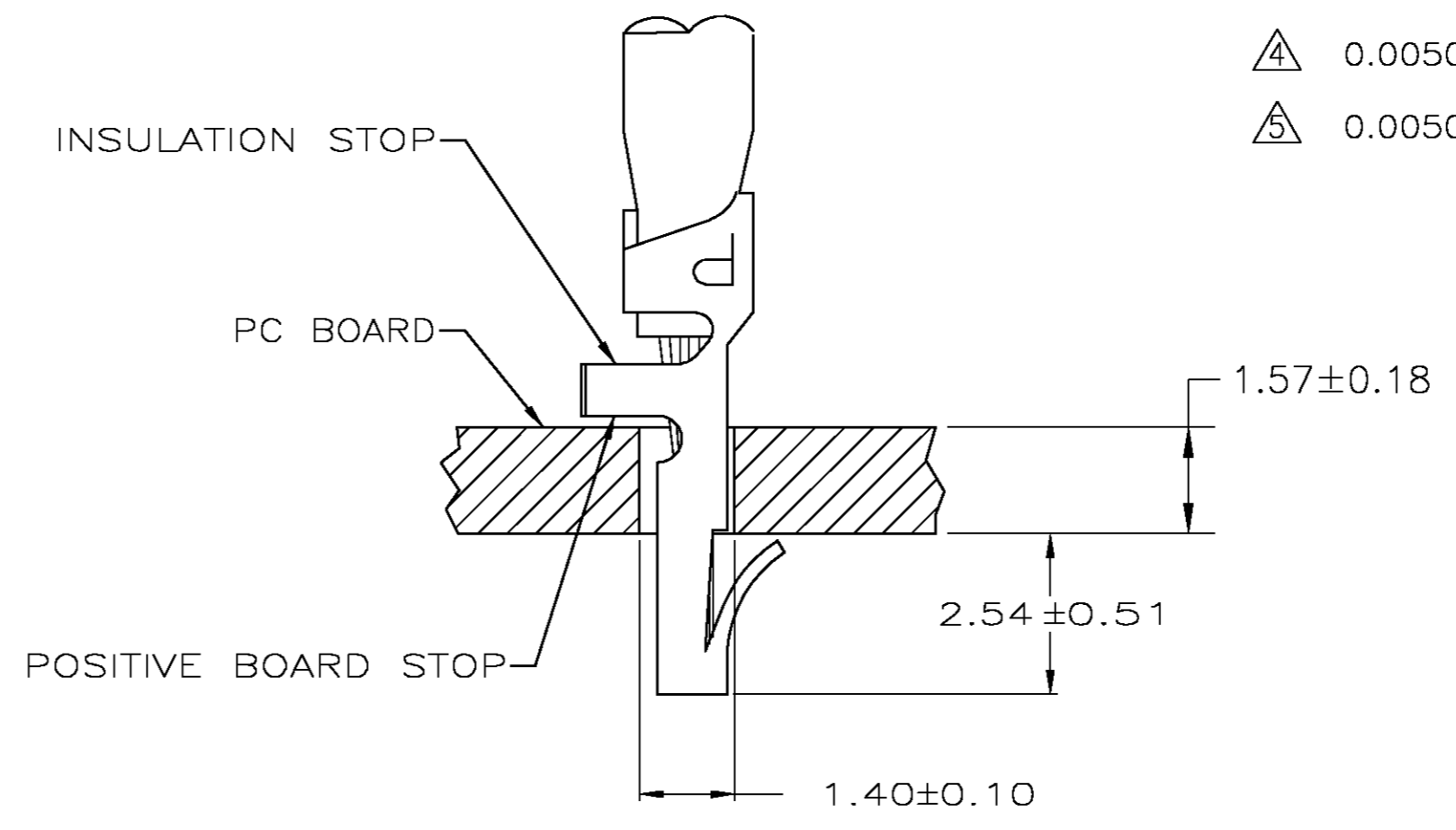
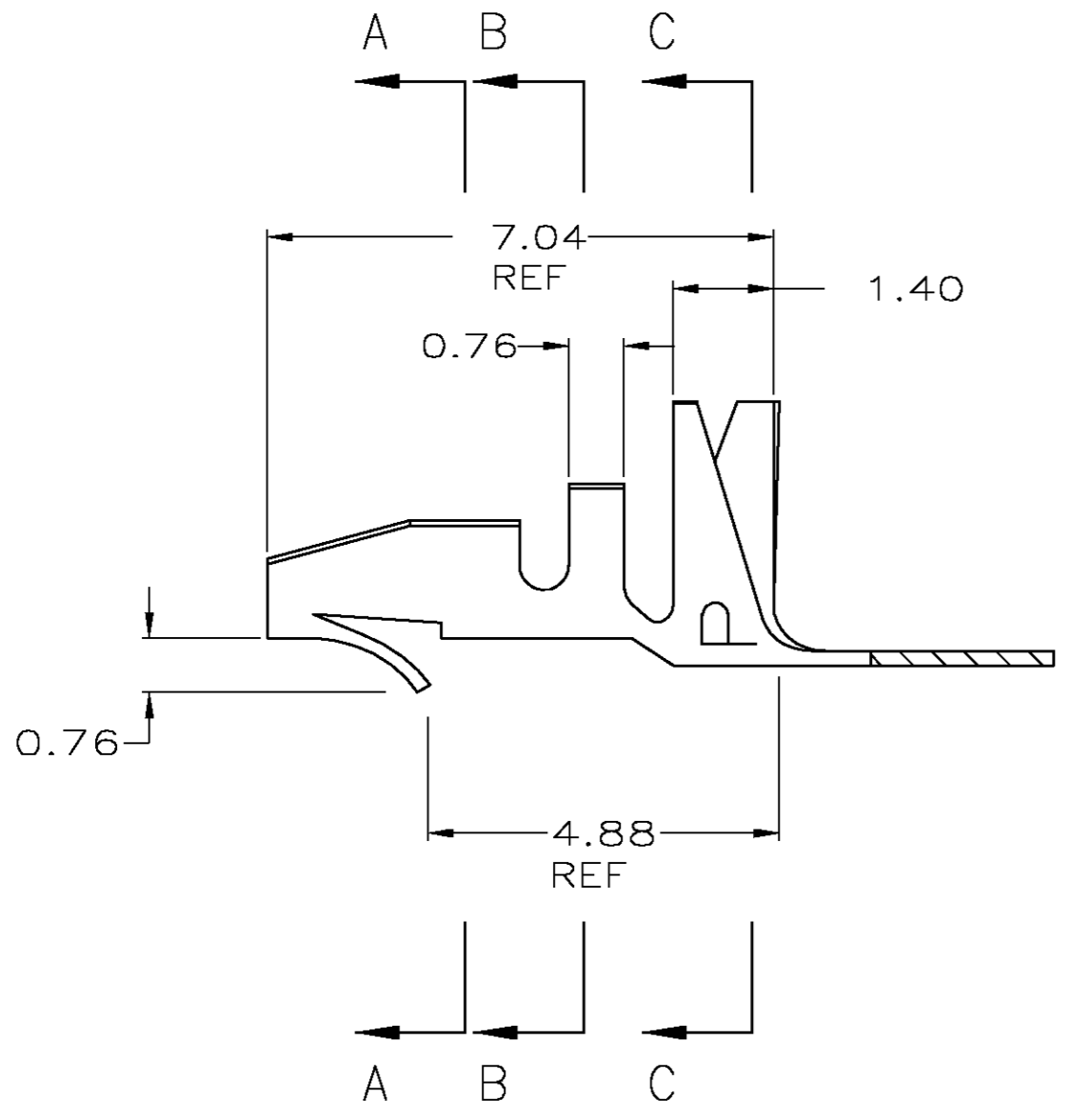
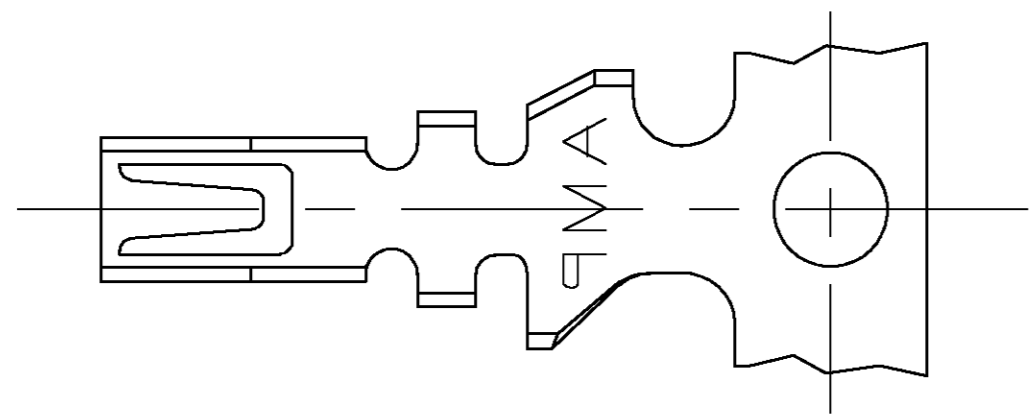


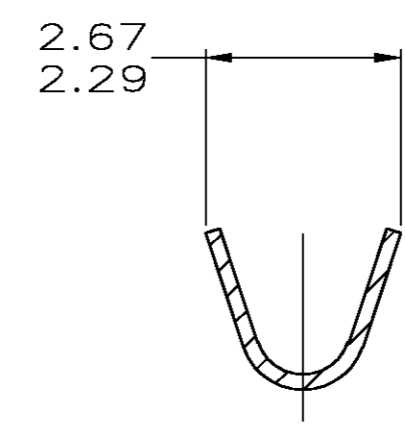
THIS DRAWING IS UNPUBLISHED. RELEASED FOR PUBLICATION
 © COPYRIGHT BY TYCO ELECTRONICS CORPORATION. ALL RIGHTS RESERVED.

LOC	DIST	REVISIONS			
P	LTR	DESCRIPTION	DATE	DWN	APVD
CM	00	D	REV PER ECN 0G3B-0383-03	21AUG03	SC JE

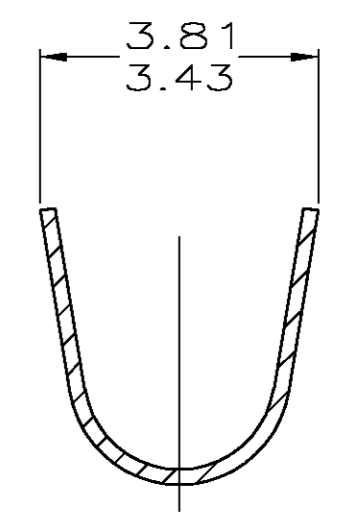
- PARTS COMPLY WITH AMP SOLDERABILITY SPECIFICATION 109-11-2.
- WIRE RANGE: 0.12 - 0.4 MM² (26 - 22 AWG).
- INSULATION RANGE: 1.02 - 2.79
- △ 0.00508 MIN BRIGHT TIN-LEAD.
- △ 0.00508 MIN BRIGHT TIN.



SECTION A-A



SECTION B-B



SECTION C-C

△ 5	3-794122-1
△ 4	794122-1
FINISH	PART NO.

MM	IN	MM	IN	MM	IN	MM	IN
0.51	.020	2.29	.090	4.88	.192	-	-
0.20	.008	1.96	.077	3.81	.150	-	-
0.18	.007	1.57	.062	3.43	.135	-	-
0.13	.005	1.40	.055	2.79	.110	-	-
0.10	.004	1.02	.040	2.67	.105	-	-
0.00508	.000200	0.76	.030	2.54	.100	7.04	.277
MM	IN	MM	IN	MM	IN	MM	IN

CONVERSION TABLE

METRIC

THIS DRAWING IS A CONTROLLED DOCUMENT.

DWN	S. CARPENTER	21AUG2003	 Tyco Electronics Corporation Harrisburg, PA 17105			
CHK	J. ELLIS	21AUG2003				
APVD	J. ELLIS	21AUG2003				
PRODUCT SPEC	108-1081					
APPLICATION SPEC	114-1016		NAME			
MATERIAL	0.20 PH BRZ		SIZE	CAGE CODE	DRAWING NO	RESTRICTED TO
			A2	00779	C=794122	-
			CUSTOMER DRAWING	SCALE	SHEET	REV
			10:1	1	1	D

794122