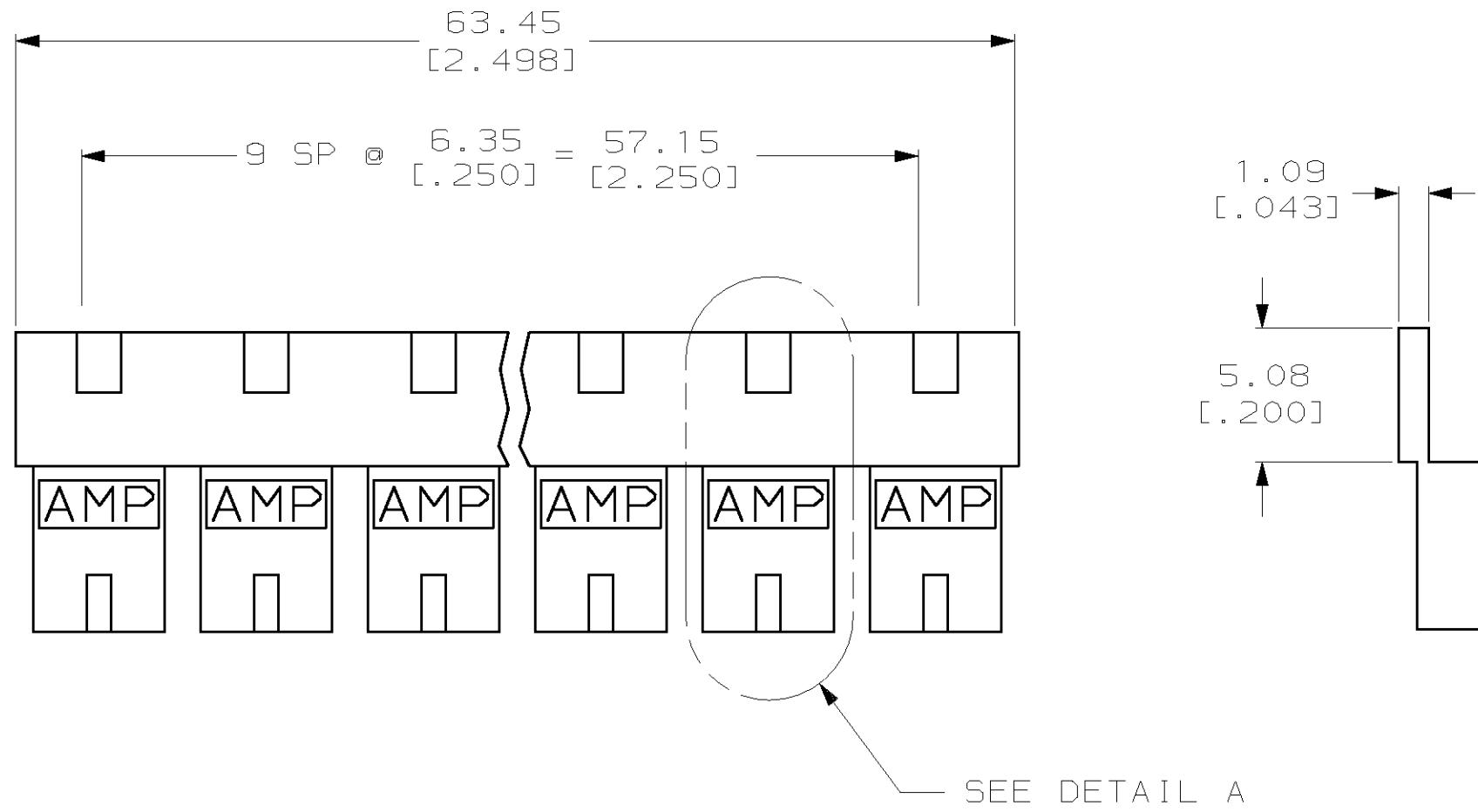
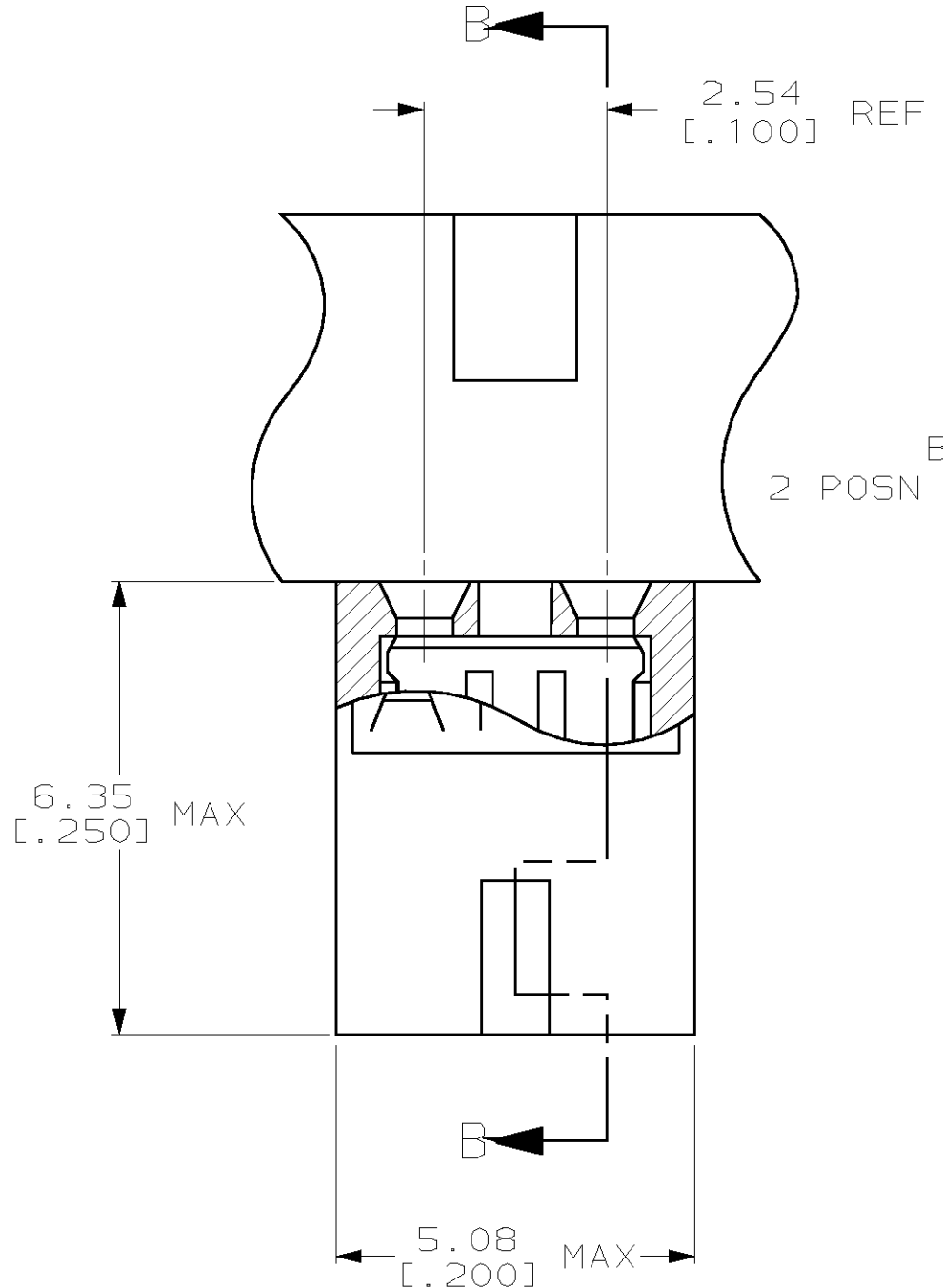


THIS DRAWING IS UNPUBLISHED. RELEASED FOR PUBLICATION .19
 (C) COPYRIGHT 19 BY AMP INCORPORATED. ALL RIGHTS RESERVED.

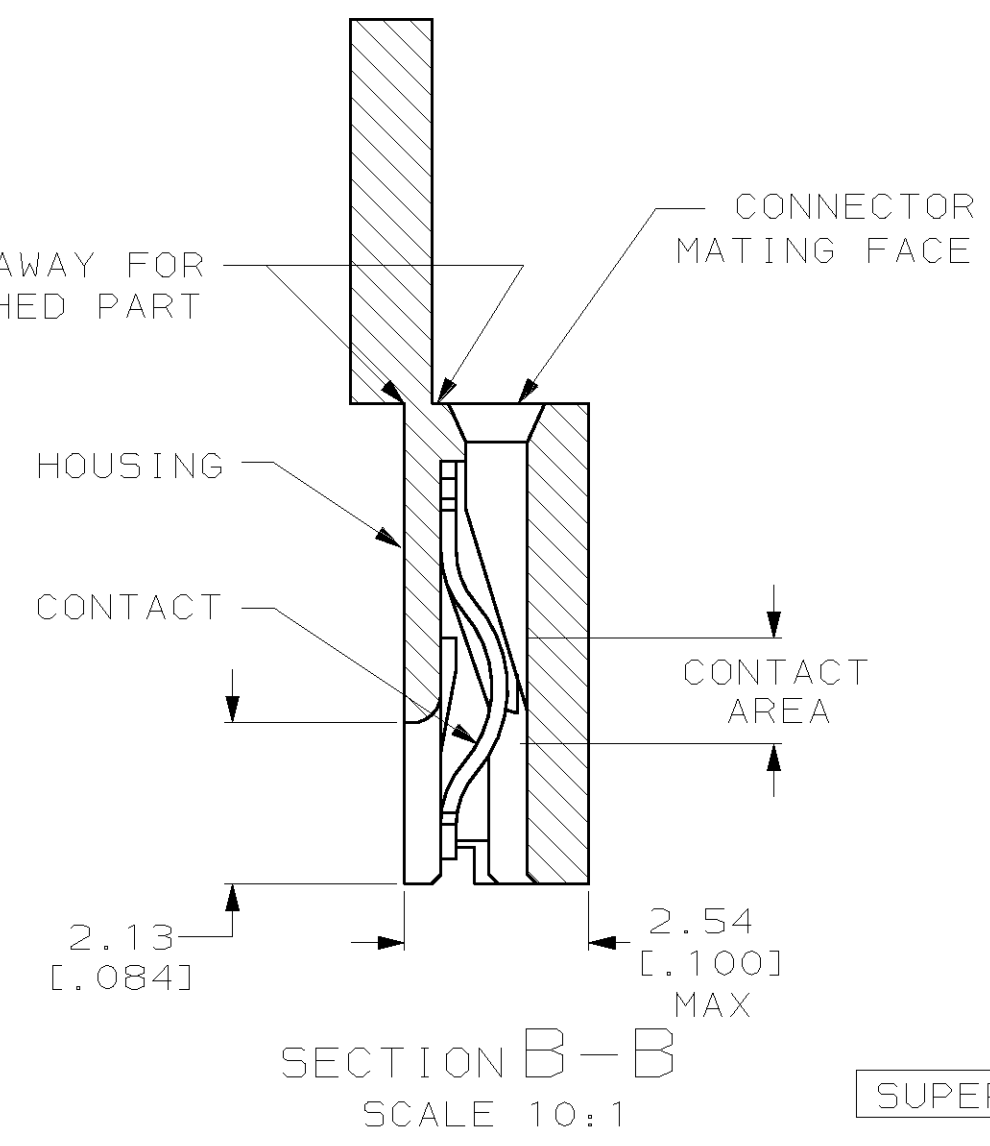
LOC		DIST		REVISIONS			
P	LTR	DESCRIPTION		DATE	DWN	APVD	
AG	53	J		REVISED PER 0G50-0064-99	11 MAR 99	LM	JR



- 1 MATERIAL:
HOUSING: GLASS-FILLED POLYESTER, COLOR-SEE TABLE.
- 2 CONTACT PLATED WITH 0.00254 [.000100] TIN-LEAD OVER ALL.
- 3 CONTACT PLATED WITH 0.00038 [.000015] GOLD IN CONTACT AREA OVER 0.00127 [.000050] NICKEL OVER ALL.
- 4 PART NO. DENOTES INDIVIDUAL TWO POSITION SHUNT, WHICH IS PACKAGED ON BREAKAWAY COMBS OF TEN SHUNTS.
- 5. CONNECTOR MATES WITH WIRE WRAP POSTS, 0.64 [.025] SQUARE OR ROUND AND 0.56 [.022] X 0.66 [.026] POSTS. LENGTH 5.08 [.200] MINIMUM.
- 6 CONTACT PLATED WITH 0.00013 [.000005] GOLD IN CONTACT AREA OVER 0.00127 [.000050] NICKEL OVER ALL.
- 7 PART NO. DENOTES INDIVIDUAL TWO POSITION SHUNT WHICH IS PACKAGED LOOSE PIECE.
- 8 CONTACT PLATED WITH 0.00076 [.000030] GOLD IN CONTACT AREA OVER 0.00127 [.000050] NICKEL OVER ALL.



DETAIL A
SCALE 10:1



CONTACT MATERIAL	HOUSING COLOR	FINISH	PART NO	
PHOSPHOR BRONZE	BLACK	8	2-382811-0	
	BLACK	6	1-382811-8	
	BLACK	3	1-382811-6	
BERYLLIUM COPPER	BLACK	3	1-382811-0	
	RED	3	382811-9	
	BLACK	6	382811-8	
	BLACK	3	382811-6	
	BLACK	2	382811-5	
	BLUE	6	382811-4	
	BLUE	3	382811-2	
	BLUE	2	382811-1	
	PHOSPHOR BRONZE	BLACK	3	382811-6
	PHOSPHOR BRONZE	BLACK	6	382811-8

SUPERSEDED BY 382811-2

THIS DRAWING IS A CONTROLLED DOCUMENT.

DIMENSIONS: mm [INCHES]	TOLERANCES UNLESS OTHERWISE SPECIFIED:	DWN: W. SORAH 8-18-93	AMP Incorporated Harrisburg, PA 17105-3608
0 PLC ±	1 PLC ±	CHK: R. TALLEY 8-23-93	ECONOMY SHUNT ASSEMBLY
2 PLC ±0.26 [.010]	3 PLC ±	APVD: D. HUFFMAN 8-23-93	
4 PLC ±	ANGLES ±	PRODUCT SPEC: 108-1476	SIZE: A2
MATERIAL HOUSING: ---	FINISH: SEE TABLE	APPLICATION SPEC: 114-1059	CAGE CODE: 00779
CONTACT: SEE TABLE		WEIGHT: -	DRAWING NO: 382811
		CUSTOMER DRAWING	RESTRICTED TO: -

SCALE 4:1 SHEET 1 OF 1 REV J

382811