

Distributed by:

JAMECO[®]
ELECTRONICS

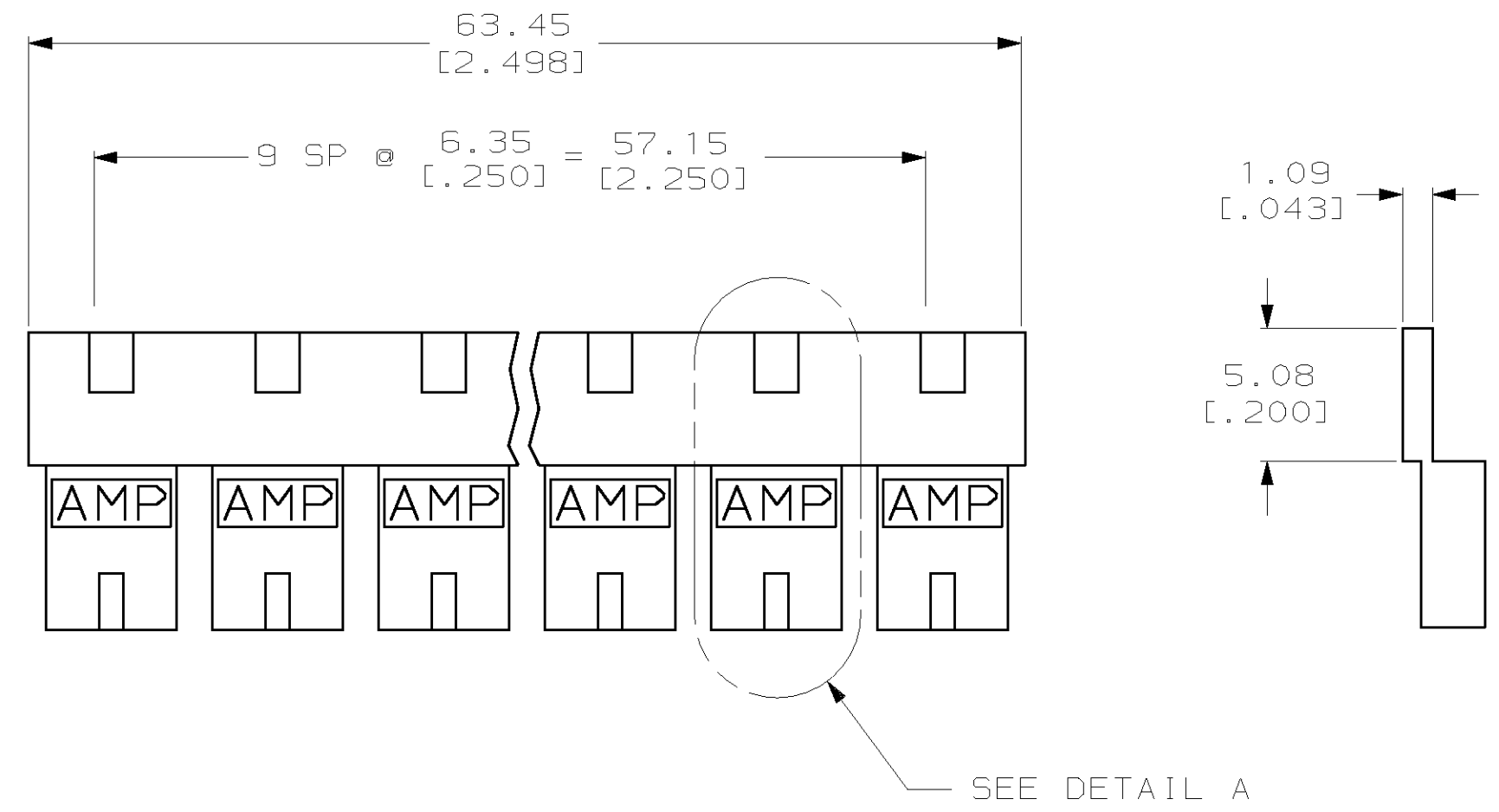
www.Jameco.com ♦ 1-800-831-4242

The content and copyrights of the attached
material are the property of its owner.

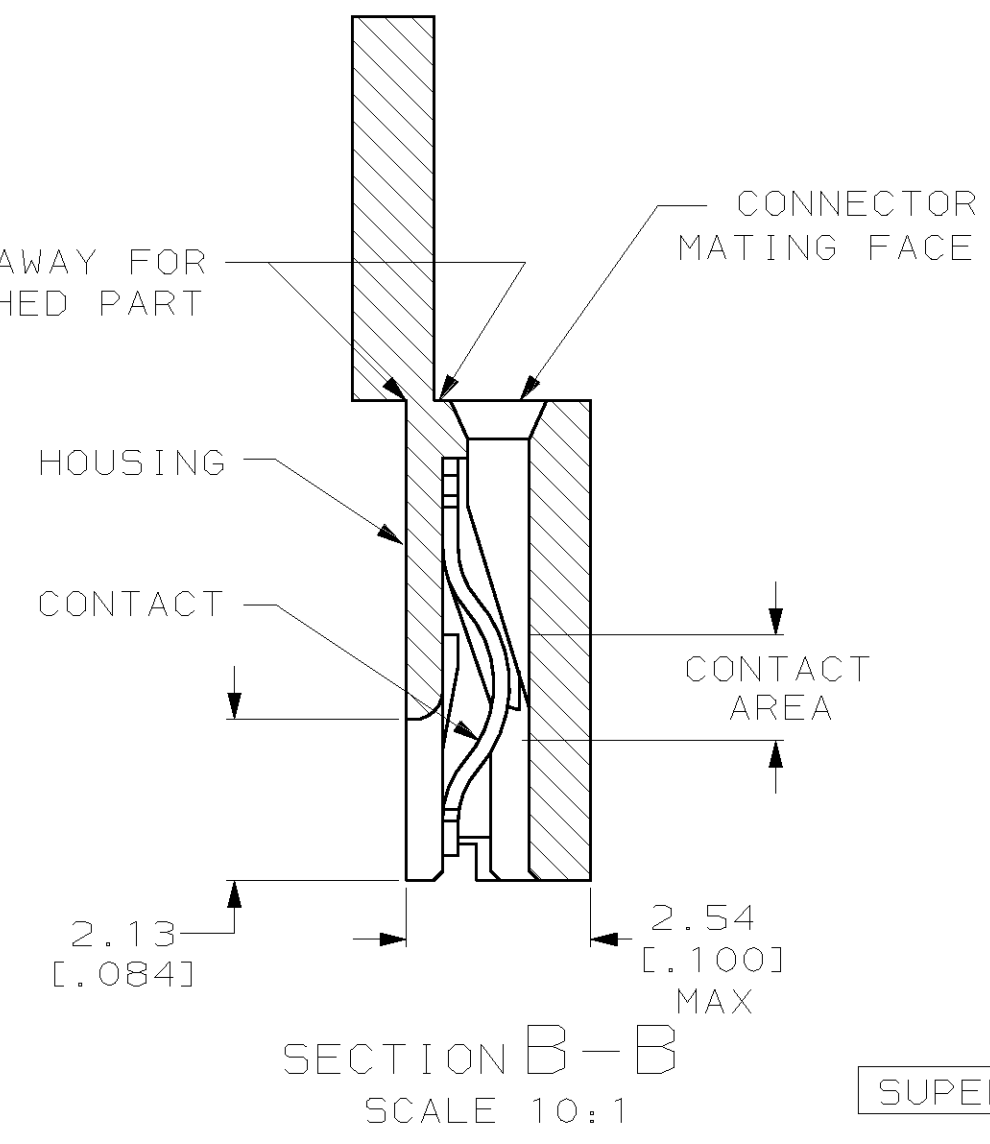
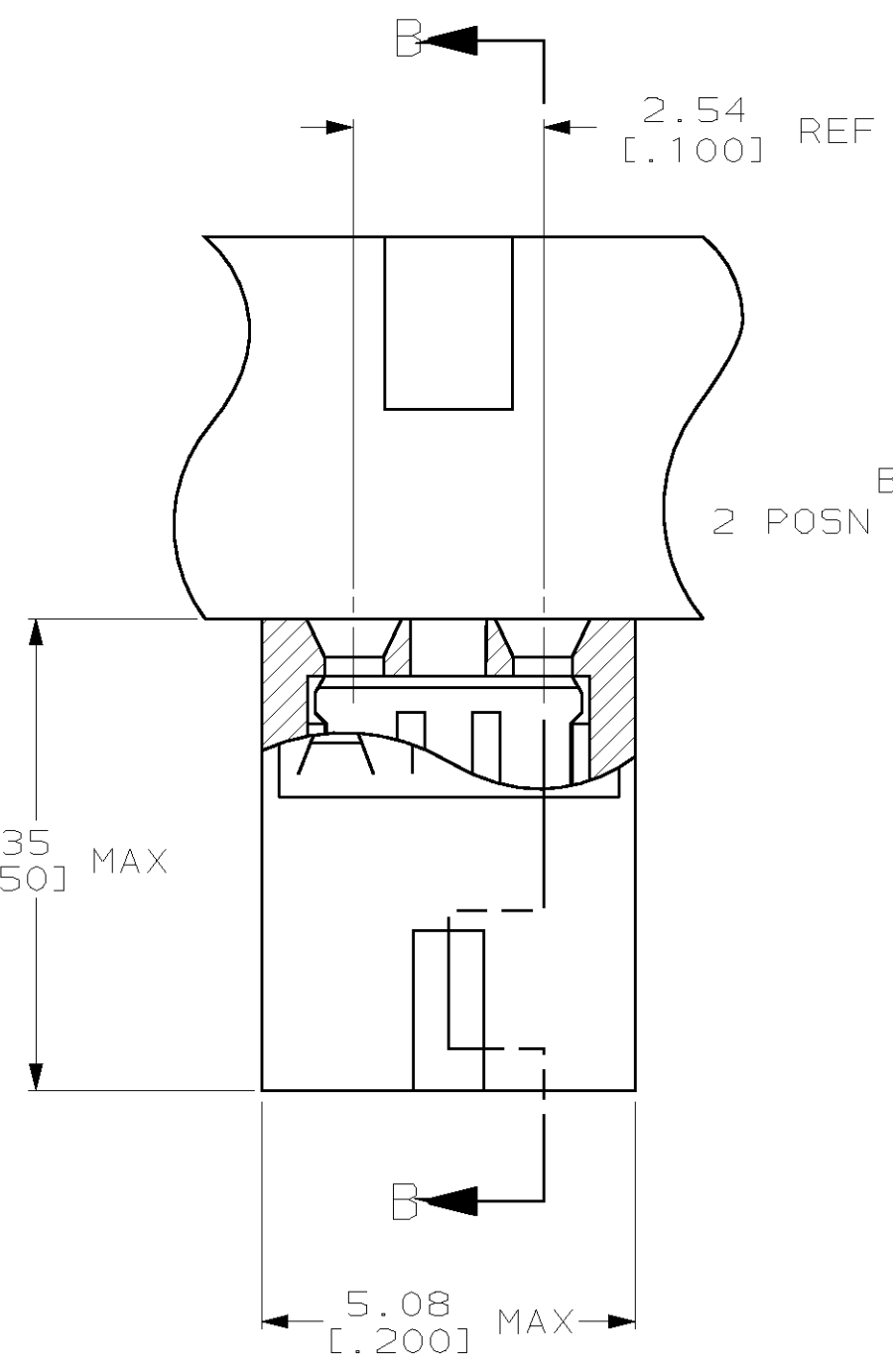
Jameco Part Number 496288

THIS DRAWING IS UNPUBLISHED. RELEASED FOR PUBLICATION .19
 © COPYRIGHT 19 BY AMP INCORPORATED. ALL RIGHTS RESERVED.

LOC	DIST	REVISIONS			
P	LTR	DESCRIPTION	DATE	DWN	APVD
AG	53	REV PER 063C-0653-04	18JAN05	RB	MM



- 1 MATERIAL:
HOUSING: GLASS-FILLED POLYESTER, COLOR-SEE TABLE.
- 2 CONTACT PLATED WITH 0.00254 [.000100] TIN-LEAD OVER ALL.
- 3 CONTACT PLATED WITH 0.00038 [.000015] GOLD IN CONTACT AREA OVER 0.00127 [.000050] NICKEL OVER ALL.
- 4 PART NO. DENOTES INDIVIDUAL TWO POSITION SHUNT, WHICH IS PACKAGED ON BREAKAWAY COMBS OF TEN SHUNTS.
- 5. CONNECTOR MATES WITH WIRE WRAP POSTS, 0.64 [.025] SQUARE OR ROUND AND 0.56 [.022] X 0.66 [.026] POSTS. LENGTH 5.08 [.200] MINIMUM.
- 6 CONTACT PLATED WITH 0.00013 [.000005] GOLD IN CONTACT AREA OVER 0.00127 [.000050] NICKEL OVER ALL.
- 7 PART NO. DENOTES INDIVIDUAL TWO POSITION SHUNT WHICH IS PACKAGED LOOSE PIECE.
- 8 CONTACT PLATED WITH 0.00076 [.000030] GOLD IN CONTACT AREA OVER 0.00127 [.000050] NICKEL OVER ALL.
- 9 CONTACT PLATED WITH 0.00254 [.000100] MATTE TIN OVER ALL.



CONTACT MATERIAL	HOUSING COLOR	FINISH	PART NO
PHOSPHOR BRONZE	BLACK	9	2-382811-1
	BLACK	8	2-382811-0
	BLACK	6	1-382811-8
PHOSPHOR BRONZE	BLACK	3	1-382811-6
	BLACK	3	1-382811-0
	RED	3	382811-9
	BLACK	6	382811-8
	BLACK	3	382811-6
	BLACK	2	382811-5
	BLUE	6	382811-4
BLUE	3	382811-2	
BLUE	2	382811-1	

OBSOLETE
 SUPERSEDED BY 382811-2
 OBSOLETE

THIS DRAWING IS A CONTROLLED DOCUMENT.

DIMENSIONS: mm [INCHES]	TOLENCES UNLESS OTHERWISE SPECIFIED: 0 PLC ± 1 PLC ± 2 PLC ±0.26 [.010] 3 PLC ± 4 PLC ± ANGLES ±	DWN W. SORAH 8-18-93 CHK R. TALLEY 8-23-93 APVD D. HUFFMAN 8-23-93	AMP Incorporated Harrisburg, PA 17105-3608
MATERIAL HOUSING: --- CONTACT: SEE TABLE	FINISH SEE TABLE	PRODUCT SPEC 108-1476 APPLICATION SPEC 114-1059 WEIGHT -	NAME ECONOMY SHUNT ASSEMBLY
		CUSTOMER DRAWING	SIZE A2 CAGE CODE 00779 DRAWING NO. 382811 RESTRICTED TO -
		SCALE 4:1	SHEET 1 OF 1 REV K