

Distributed by:

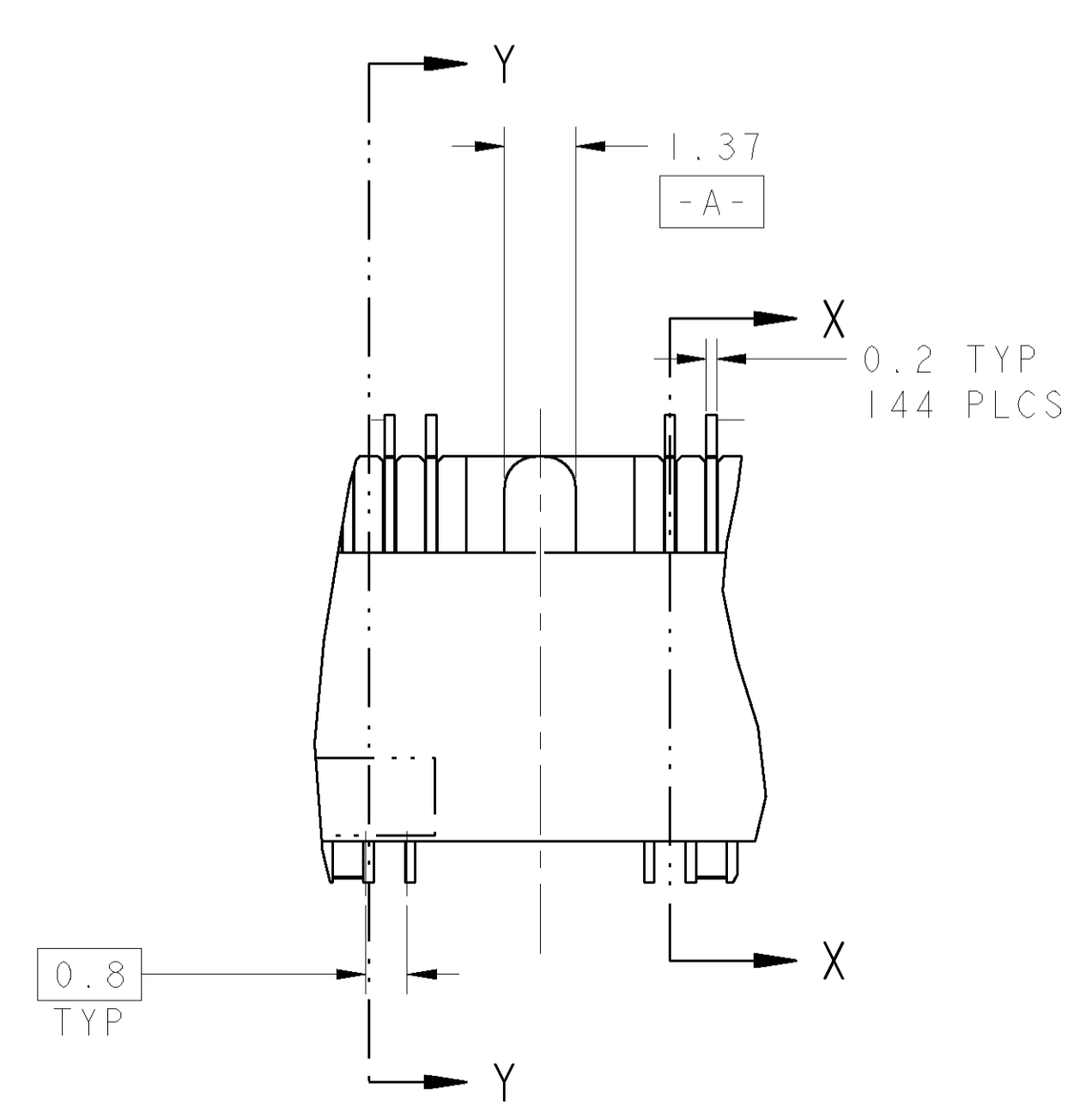
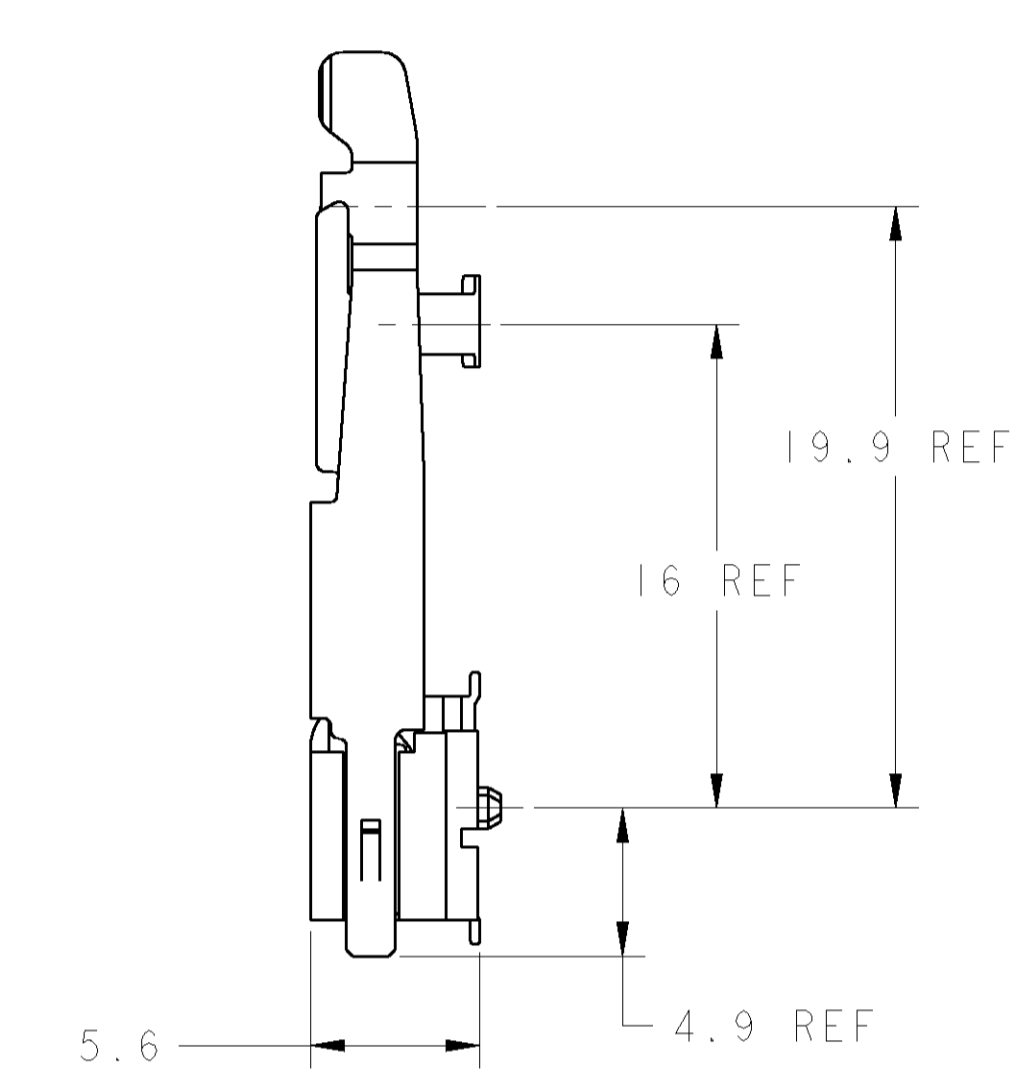
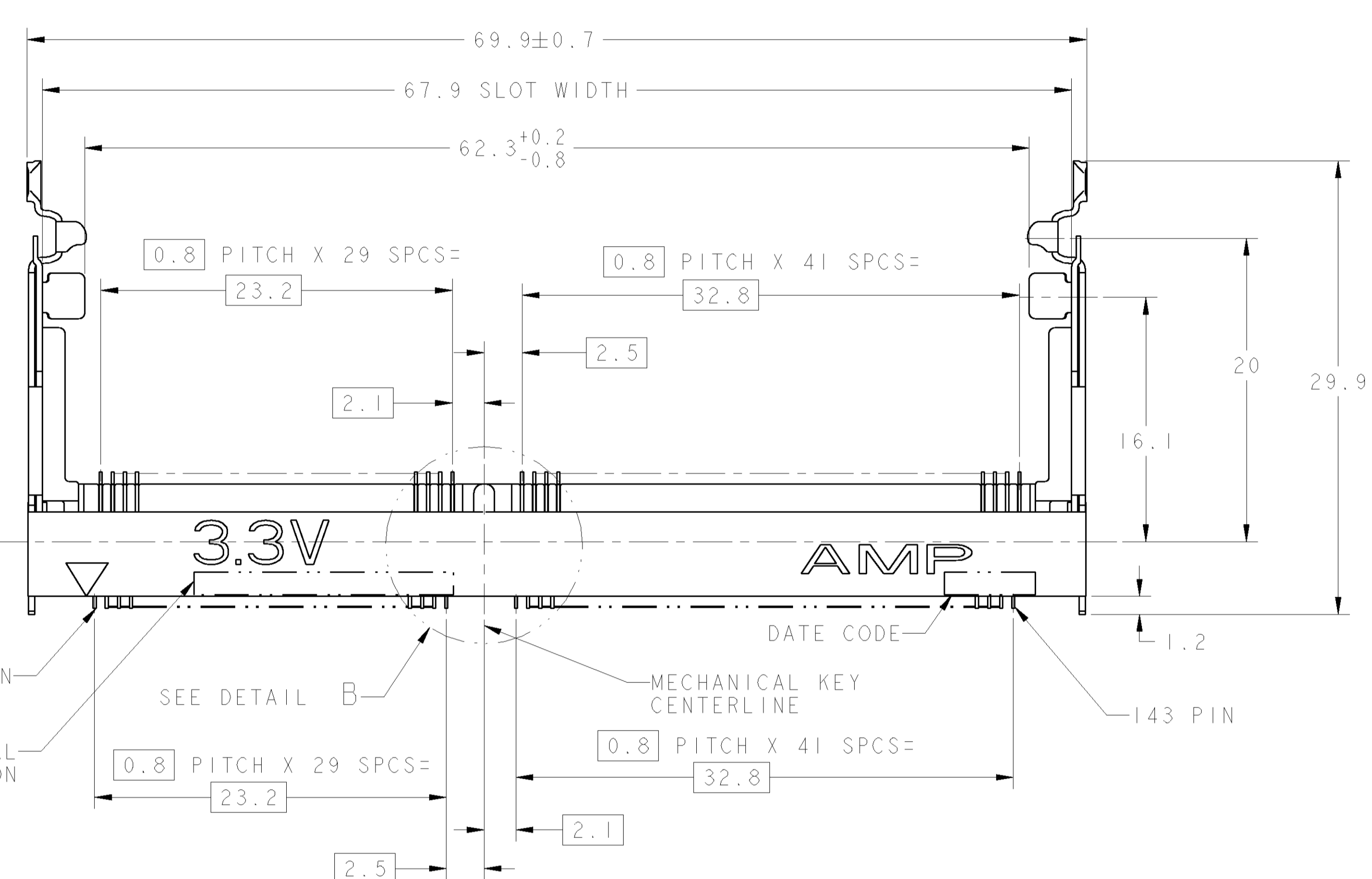
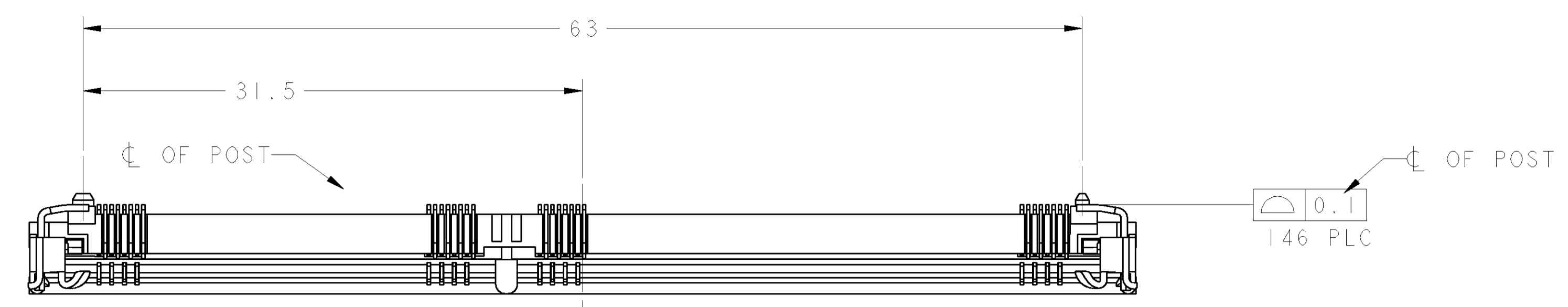
JAMECO[®]
ELECTRONICS

www.Jameco.com ♦ 1-800-831-4242

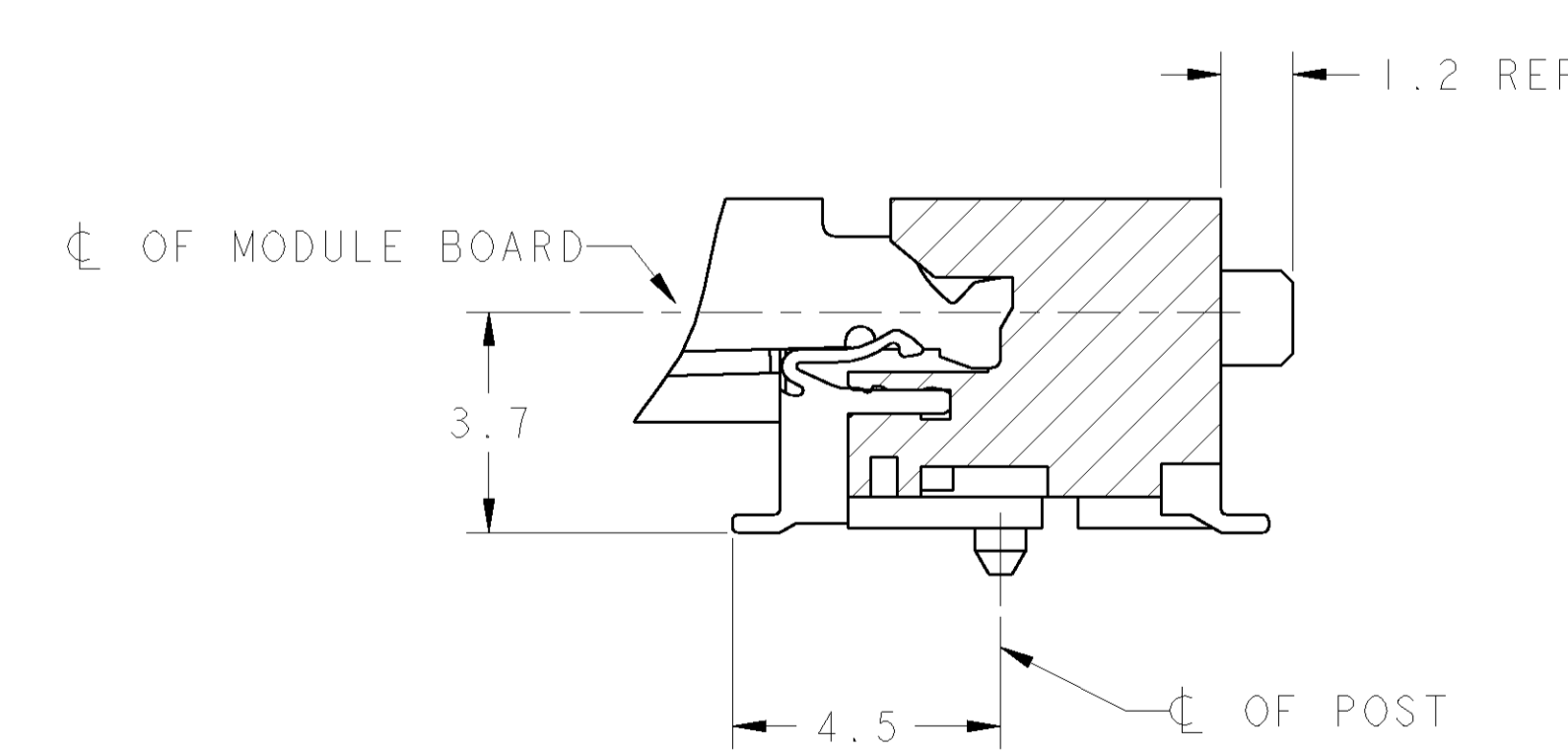
The content and copyrights of the attached
material are the property of its owner.

Jameco Part Number 847869

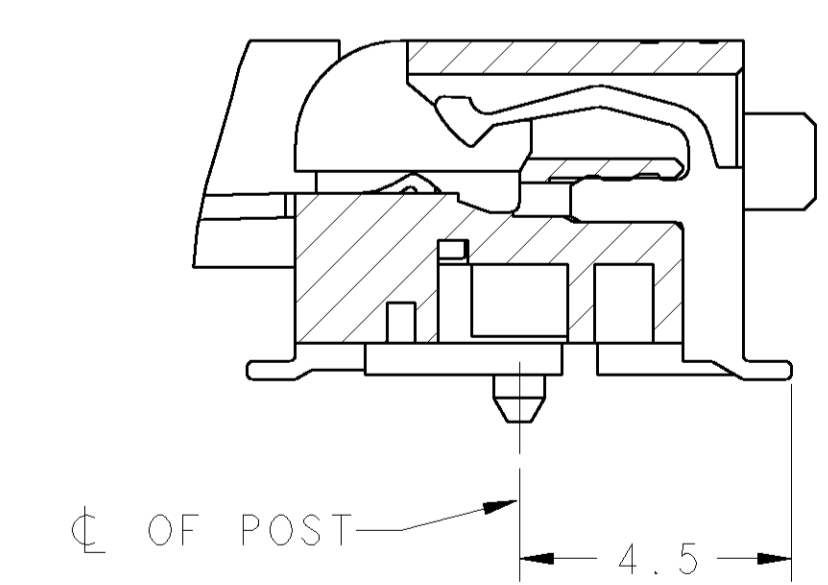
LOC	DIST	REVISIONS			
F	LTR	DESCRIPTION	DATE	DNM	APRD
P		REVISED ECR-05-006241	06JUL05	SYJ	LSF



DETAIL B
SCALE 8:1



SECTION X-X
ROTATED 90° CCW
SCALE 8:1



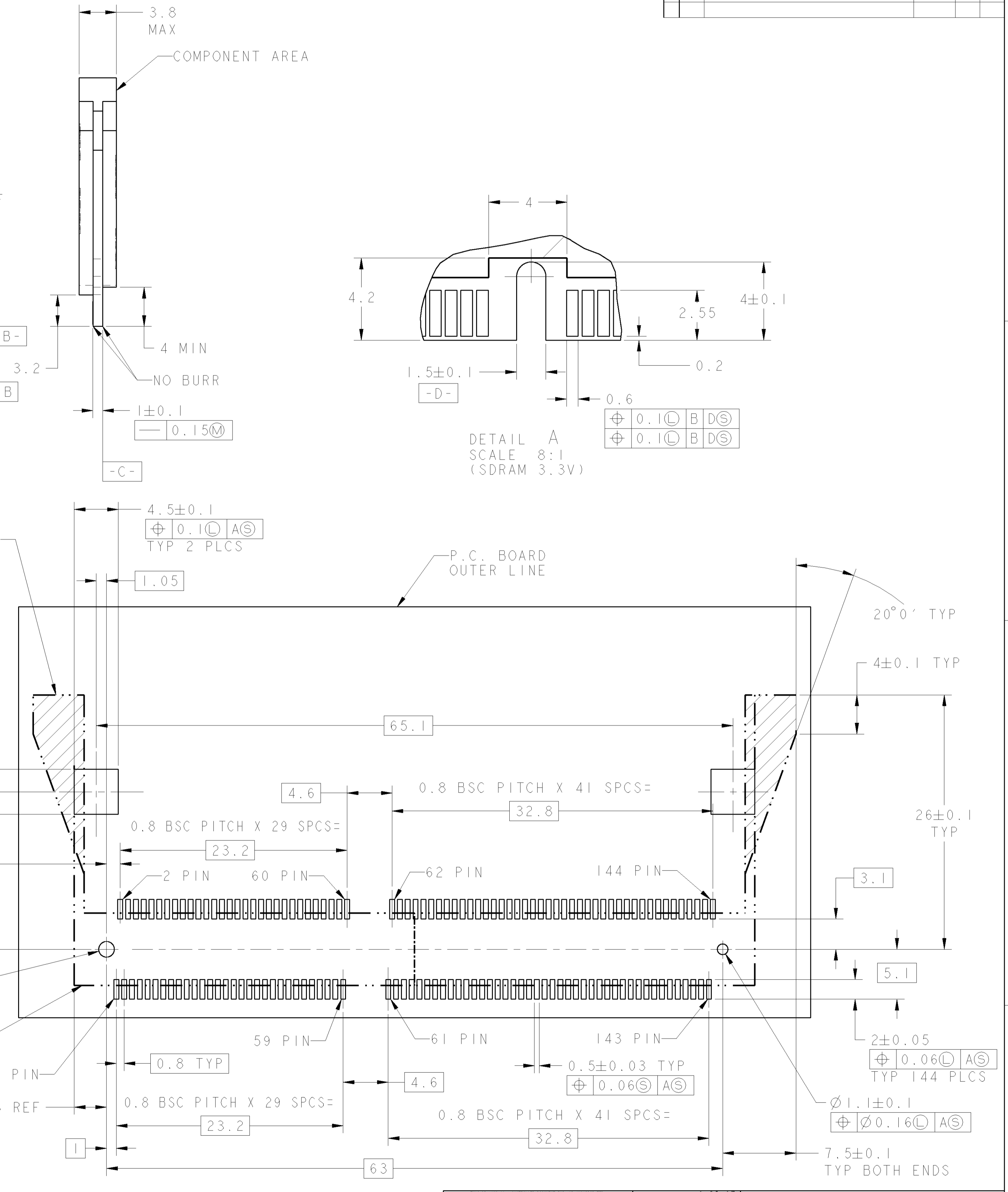
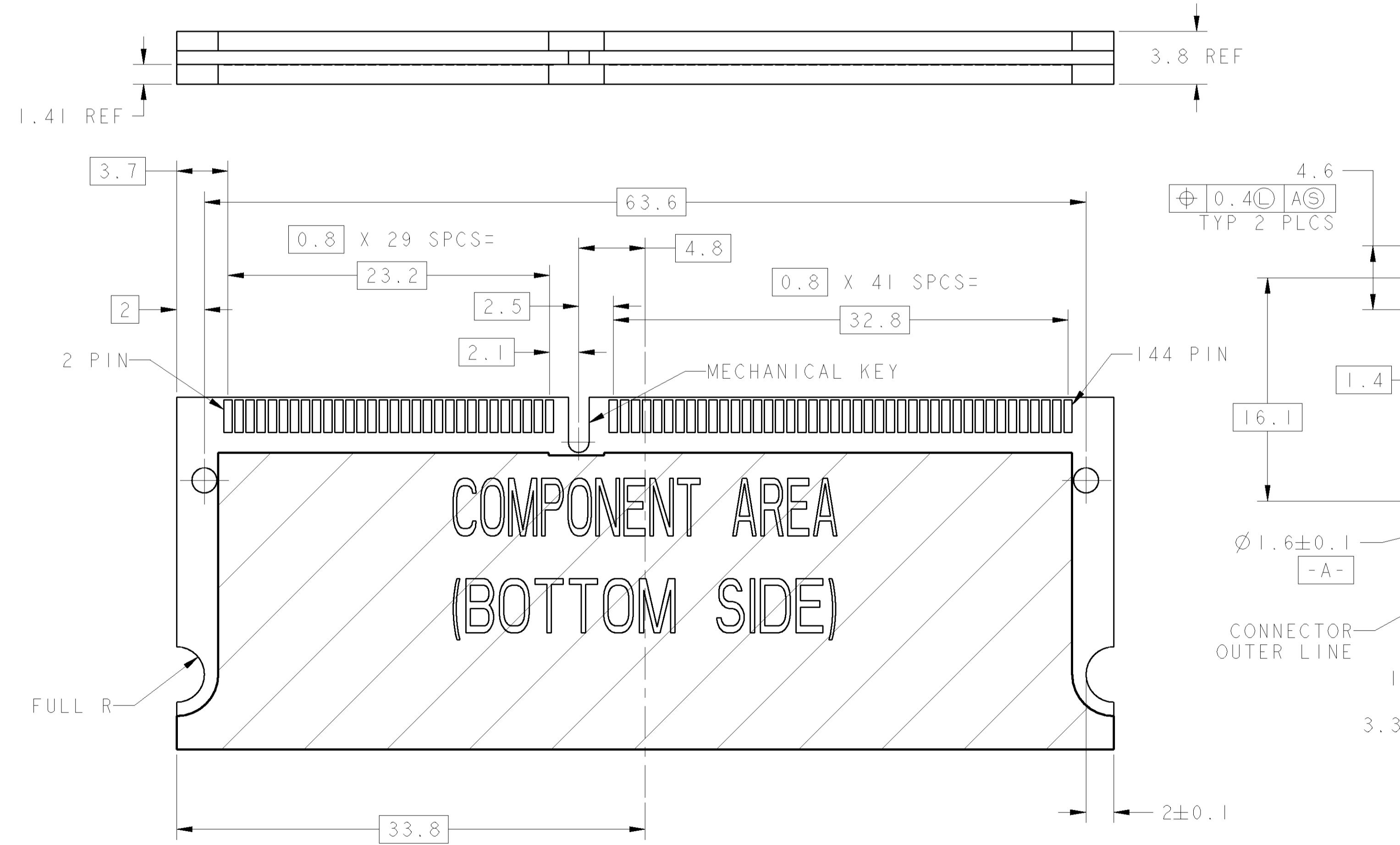
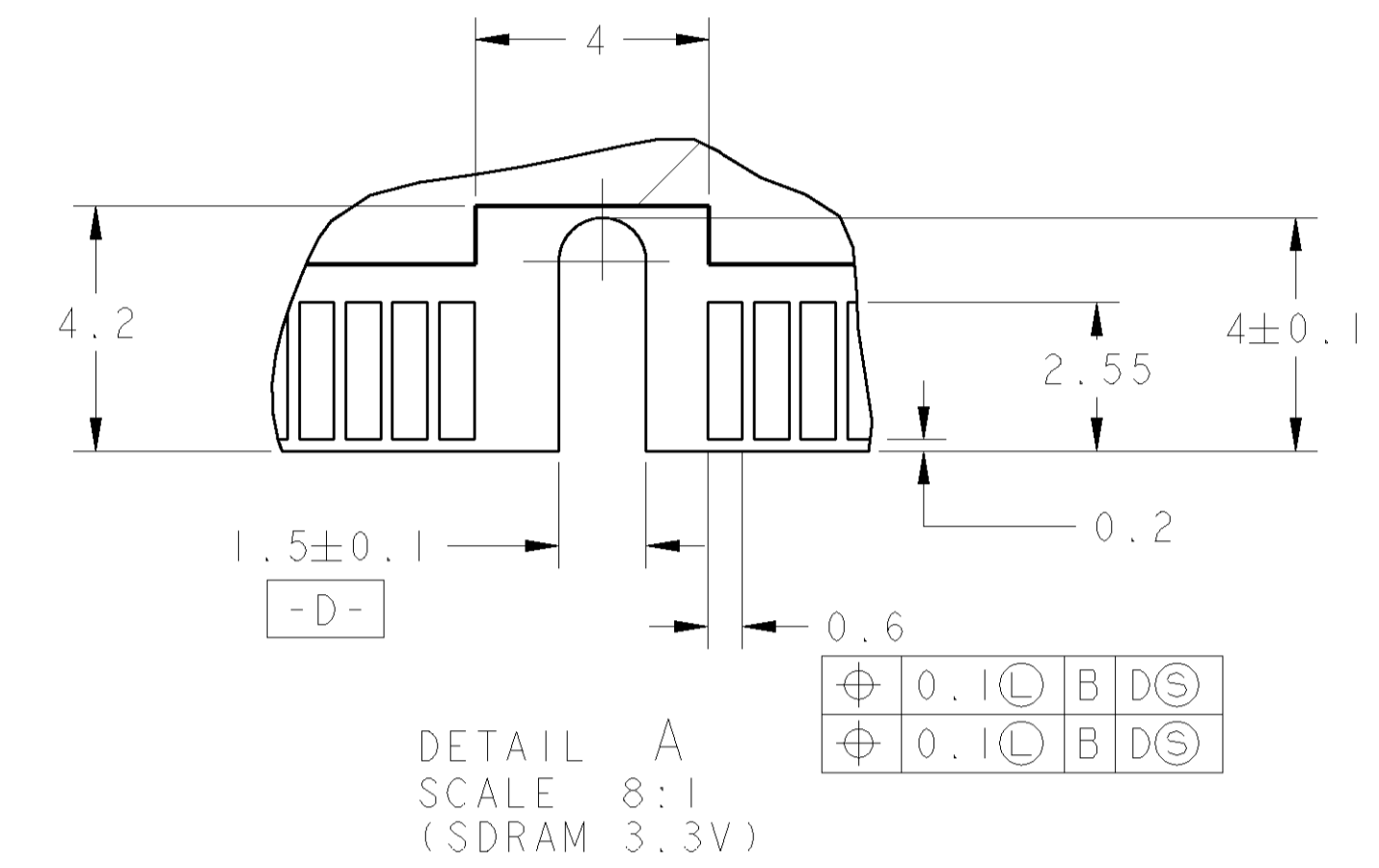
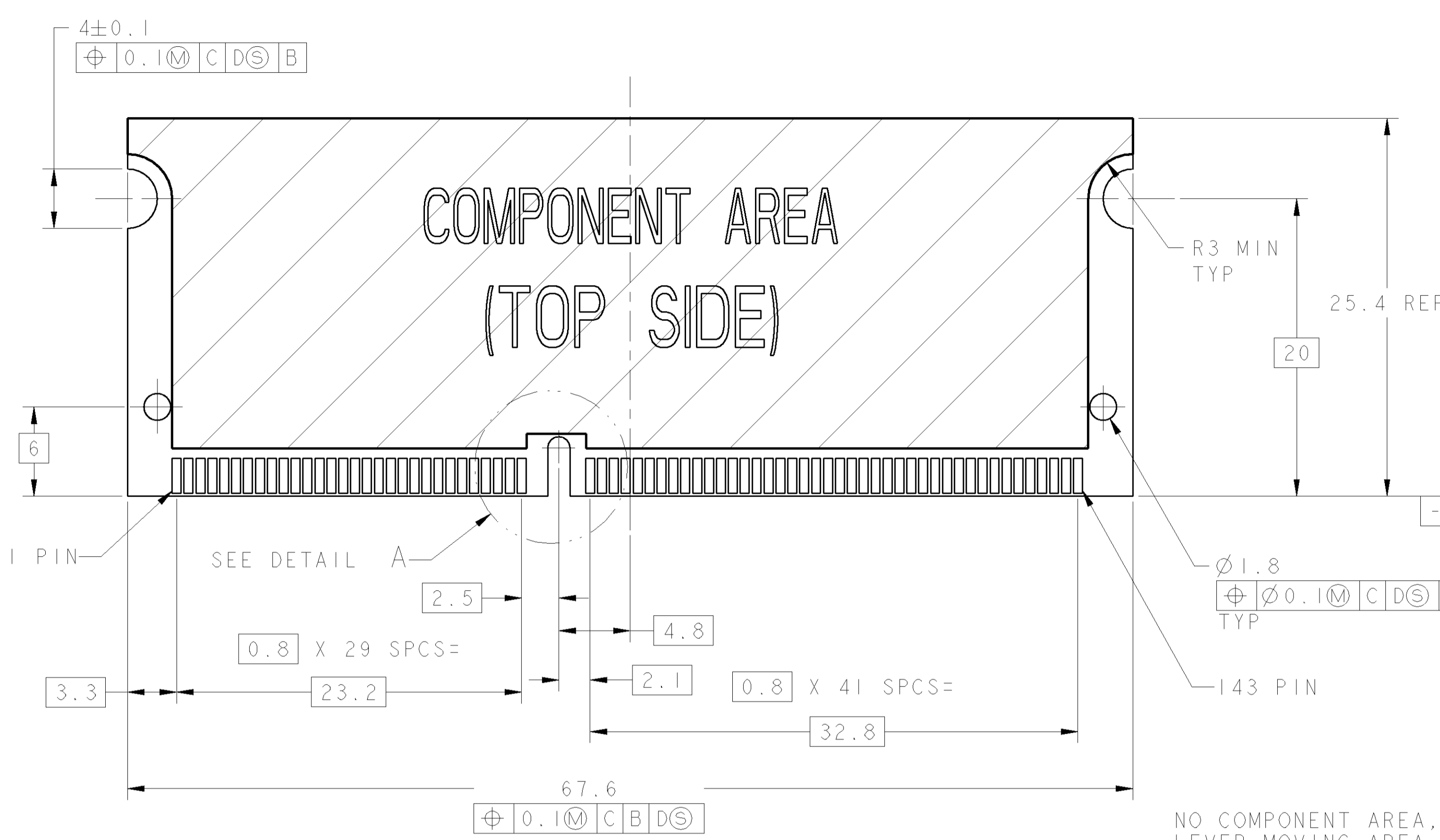
SECTION Y-Y
ROTATED 90° CCW
SCALE 8:1

- 1 MATERIAL, HIGH TEMPERATURE PLASTIC, UL94V-0
CONTACT: COPPER ALLOY
LATCH: STAINLESS STEEL, TIN PLATING.
- 2 FINISH; CONTACT AREA: 0.00025 MIN GOLD PLATE ON
0.001 MIN ALL OVER NICKEL
SOLDERING AREA: 0.00005 MIN TO 0.00030 MAX
GOLD PLATE
- 3. TOLERANCES NON-ACCUMULATIVE.
- 4 PACKAGED IN HARD TRAY.
- 5 FINISH; CONTACT AREA: 0.00025 MIN GOLD PLATE ON
0.001 MIN ALL OVER NICKEL
SOLDERING AREA: BRIGHT TIN LEAD PLATE.
- 6 PART PACKAGED PER EIA-1S704 STANDARD. REEL
DIAMETER SHALL BE 330mm, TAPE WIDTH SHALL BE
88mm, AND TAPE PITCH SHALL BE 36mm.
- 7 LATCH PLATING: TIN-LEAD FOR P/N: 8-390112-1 ONLY
(IDENTICAL TO PREVIOUS P/N: 390112-1)

SUPERSEDED BY	REMARKS	COLOR	FINISH	POS	PART NO.
NIL	AVAILABLE	NATURAL	△△	144	8-390112-1
NIL	AVAILABLE	BLACK	△	144	7-390112-1
NIL	AVAILABLE	NATURAL	△	144	6-390112-1
3-390112-1	NOT AVAILABLE	NATURAL	△	144	3-390112-4
NIL	AVAILABLE	NATURAL	△	144	3-390112-1
390112-1	NOT AVAILABLE	NATURAL	△	144	390112-4
NIL	AVAILABLE	NATURAL	△	144	390112-1

<small>THIS DRAWING IS A CONTROLLED DOCUMENT FOR AMP INCORPORATED. ALL INFORMATION ON THIS DRAWING IS UNCLASSIFIED UNLESS INDICATED OTHERWISE. FOR THE LATEST REVISION, ORGANIZATION SHOULD BE CONTACTED FOR THE LATEST REVISION.</small>		DWN: W. SORAH CHK: ALAN ANG APD: SE LEONG	6-23-97 01-21-02	AMP MANUFACTURING (SINGAPORE) PTE., LTD.	
DIMENSIONS: mm	TOLERANCES UNLESS OTHERWISE SPECIFIED: 0 PLC ±0.2 1 PLC ±0.2 2 PLC ±0.2 3 PLC ±0.2 4 PLC ±0.2 ANGLES ±	NAME: S.O. PRODUCT SPEC: DIMM SOCKET ASSY, 0.8mm, 3.3V, 144 POSITION, HIGH PROFILE FOR SDRAM TYPE MODULE APPLICATION SPEC:	SIZE: A1 CASE CODE: 00779 DRAWING NO: C=390112	RESTRICTED TO:	SCALE: 4:1 SHEET: 1 OF 2 REV: P
MATERIAL: SEE TABLE		CUSTOMER DRAWING			

LOC	DIST	REV	DESCRIPTION	DATE	DNM	APRD
2						
1						
			SEE SHEET 1			



<small>THIS DRAWING IS A CONTROLLED DOCUMENT FOR AMP INCORPORATED. ALL RIGHTS RESERVED. ANY REVISIONS TO THIS DRAWING MUST BE APPROVED BY THE ORIGINAL DESIGNER. ANY REVISIONS TO THIS DRAWING MUST BE APPROVED BY THE ORIGINAL DESIGNER.</small>		DWN: W. SORAH CHK: ALAN ANG APD: SE LEONG	6-23-97 1-21-02	AMP AMP MANUFACTURING (SINGAPORE) PTE. LTD.
DIMENSIONS: mm TOLERANCES UNLESS OTHERWISE SPECIFIED: 0 PLC ±0.2 1 PLC ±0.2 2 PLC ±0.2 3 PLC ±0.2 4 PLC ±0.2 ANGLES: °	MATERIAL: FINISH: SEE TABLE	NAME: S.O. DIMM SOCKET ASSY, 0.8mm, 3.3V, 144 POSITION, HIGH PROFILE FOR SDRAM TYPE MODULE APPLICATION SPEC: - SIZE: A1 WEIGHT: - CUSTOMER DRAWING: -	CASE CODE: 00779 DRAWING NO: C-390112 SCALE: 4:1 SHEET: 2 OF 2 REV: P	RESTRICTED TO: -