

Distributed by:

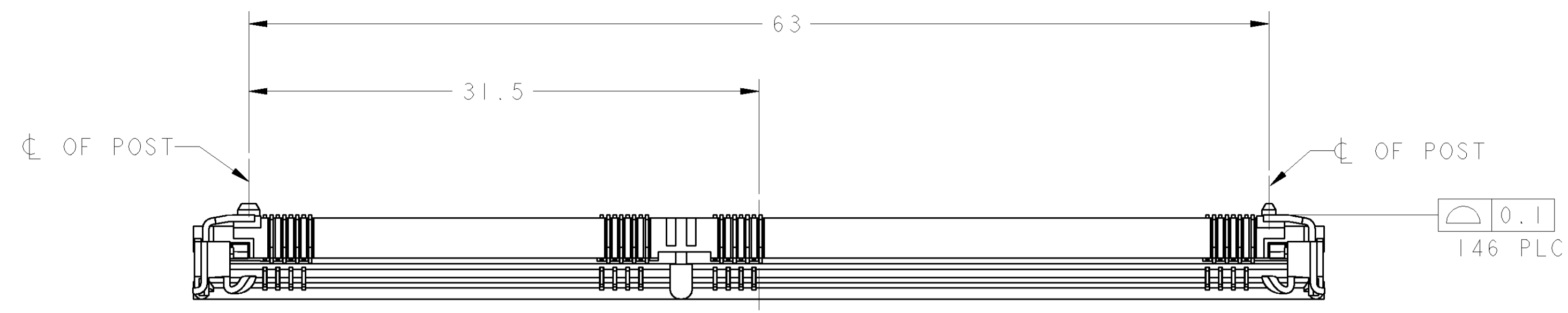
**JAMECO**<sup>®</sup>  
ELECTRONICS

**www.Jameco.com ♦ 1-800-831-4242**

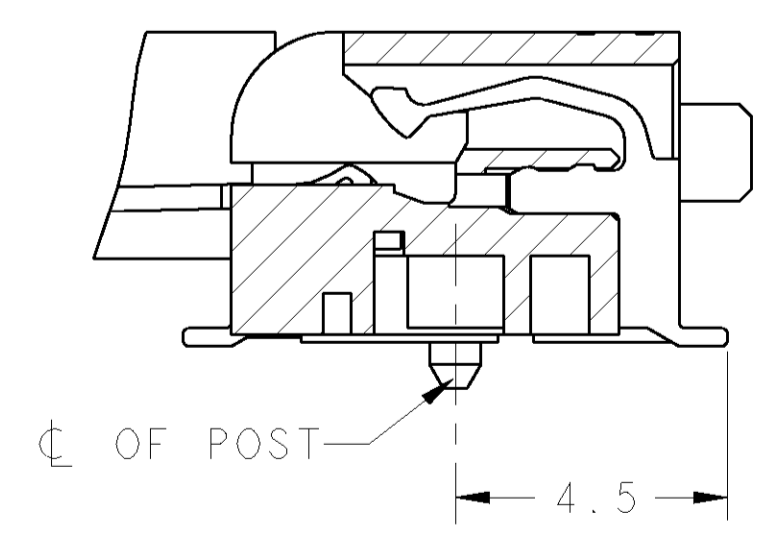
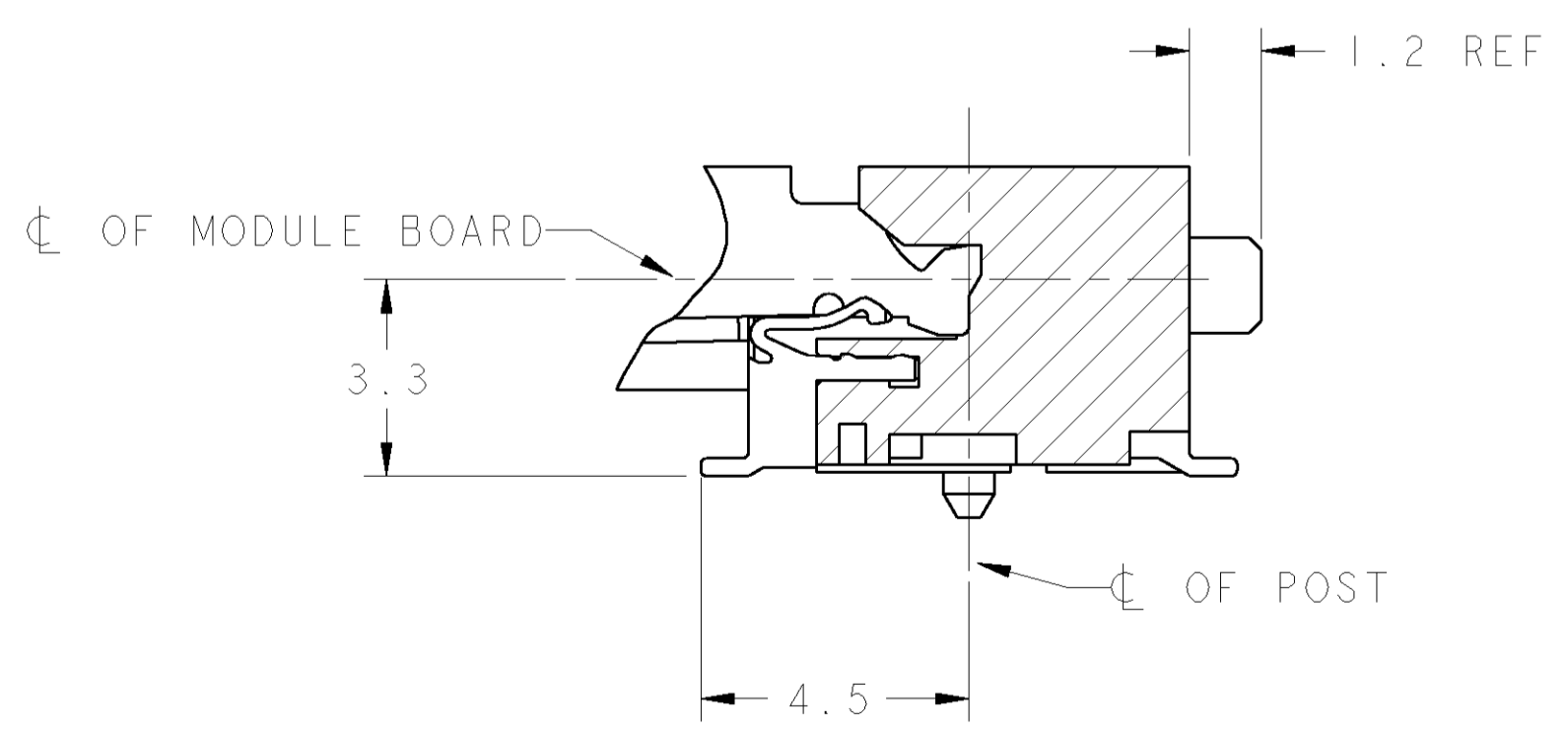
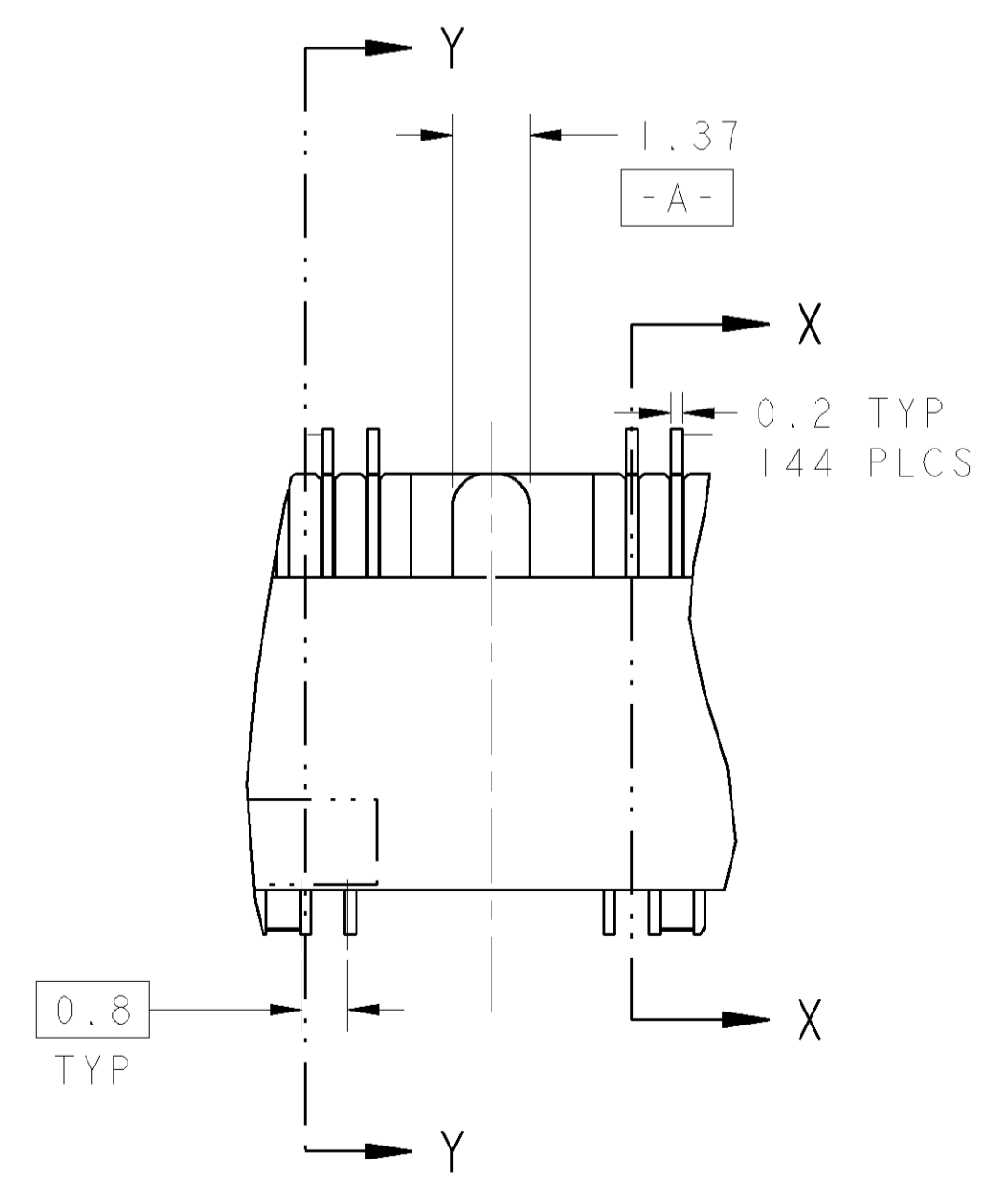
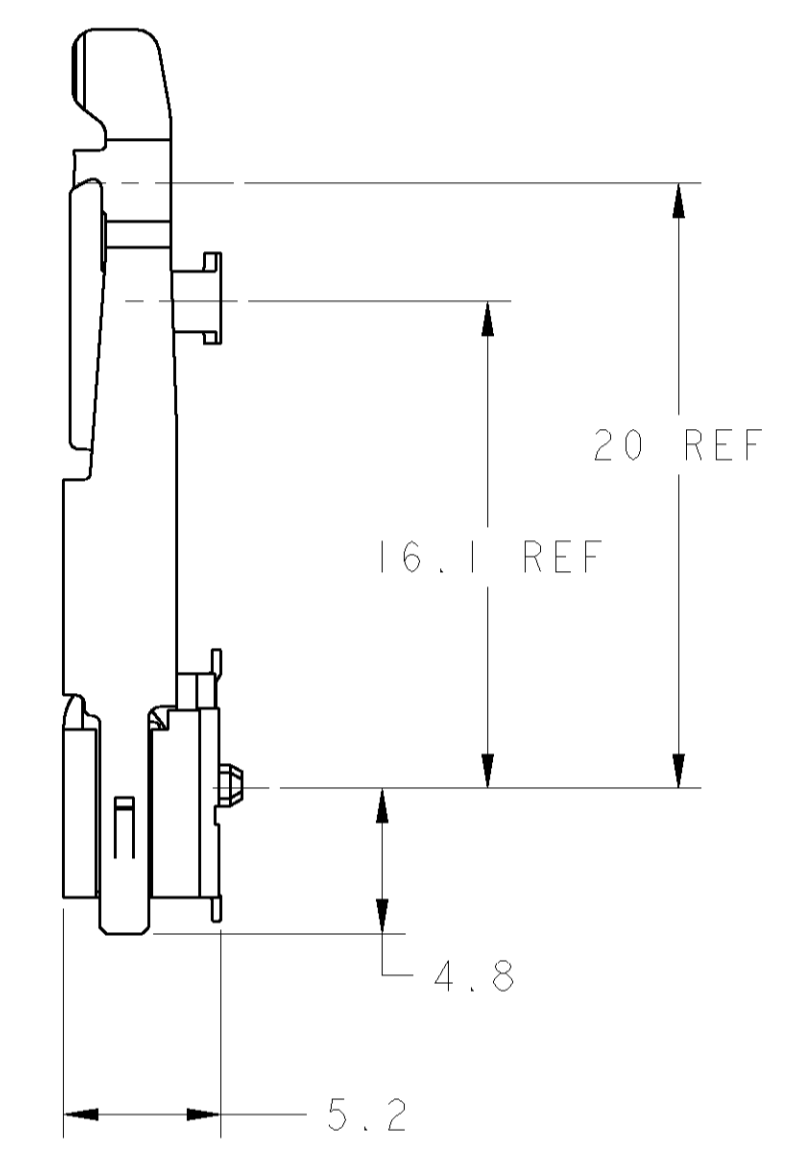
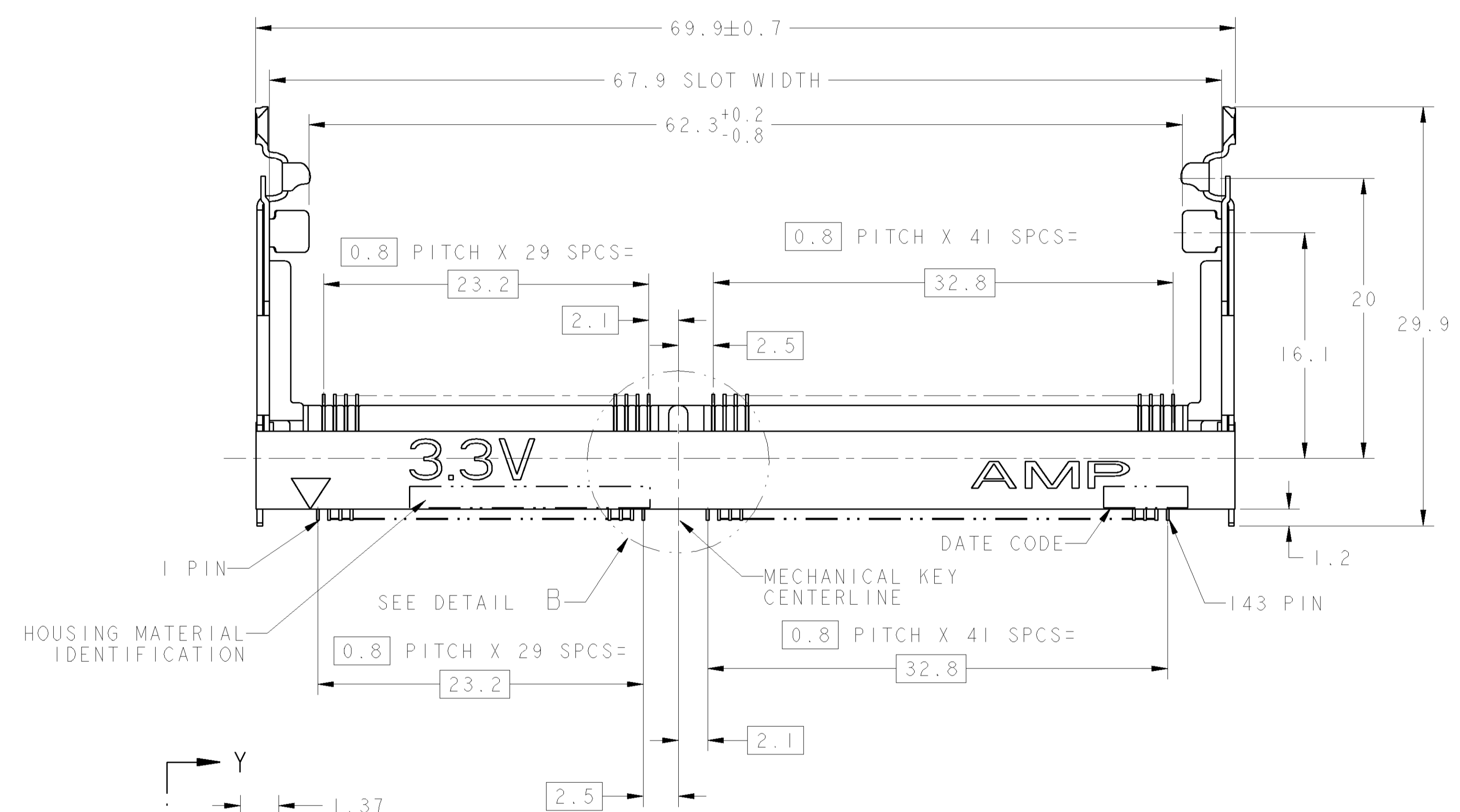
The content and copyrights of the attached  
material are the property of its owner.

Jameco Part Number 847885

REVISONS		DATE	DNM	APRD
F	LTR			
L	REVISED ECR-05-006242	06JUL05	SYJ	LSF



- 1 MATERIAL, HOUSING, HIGH TEMPERATURE PLASTIC, UL94V-0, NAT. CONTACT: COPPER ALLOY LATCH: SUS301 STAINLESS STEEL PLATING.
- 2 FINISH; CONTACT AREA: 0.00025 MIN GOLD PLATE ON 0.001 MIN ALL OVER NICKEL SOLDERING AREA: 0.00005 MIN TO 0.00030 MAX GOLD PLATE.
- 3 TOLERANCES NON-ACCUMULATIVE.
- 4 PACKAGED 12 PIECES PER HARD TRAY.
- 5 FINISH; CONTACT AREA: 0.00025 MIN GOLD PLATE ON 0.001 MIN ALL OVER NICKEL SOLDERING AREA: BRIGHT TIN LEAD PLATE.
- 6 PART PACKAGED PER EIA-18704 STANDARD. REEL DIAMETER SHALL BE 330mm. TAPE WIDTH SHALL BE 88mm AND TAPE PITCH SHALL BE 36mm.



SECTION X-X  
 ROTATED 90° CCW  
 SCALE 8:1

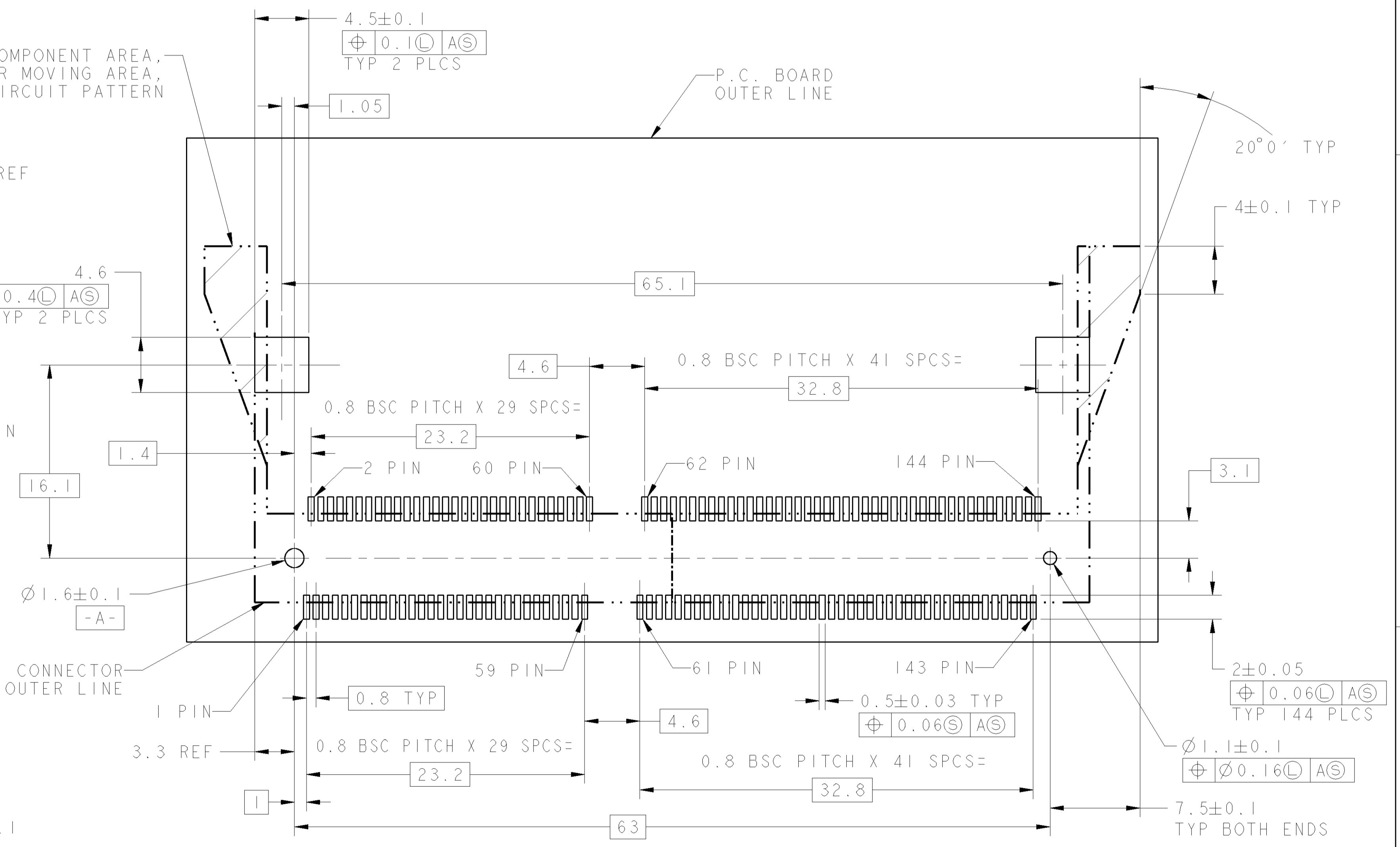
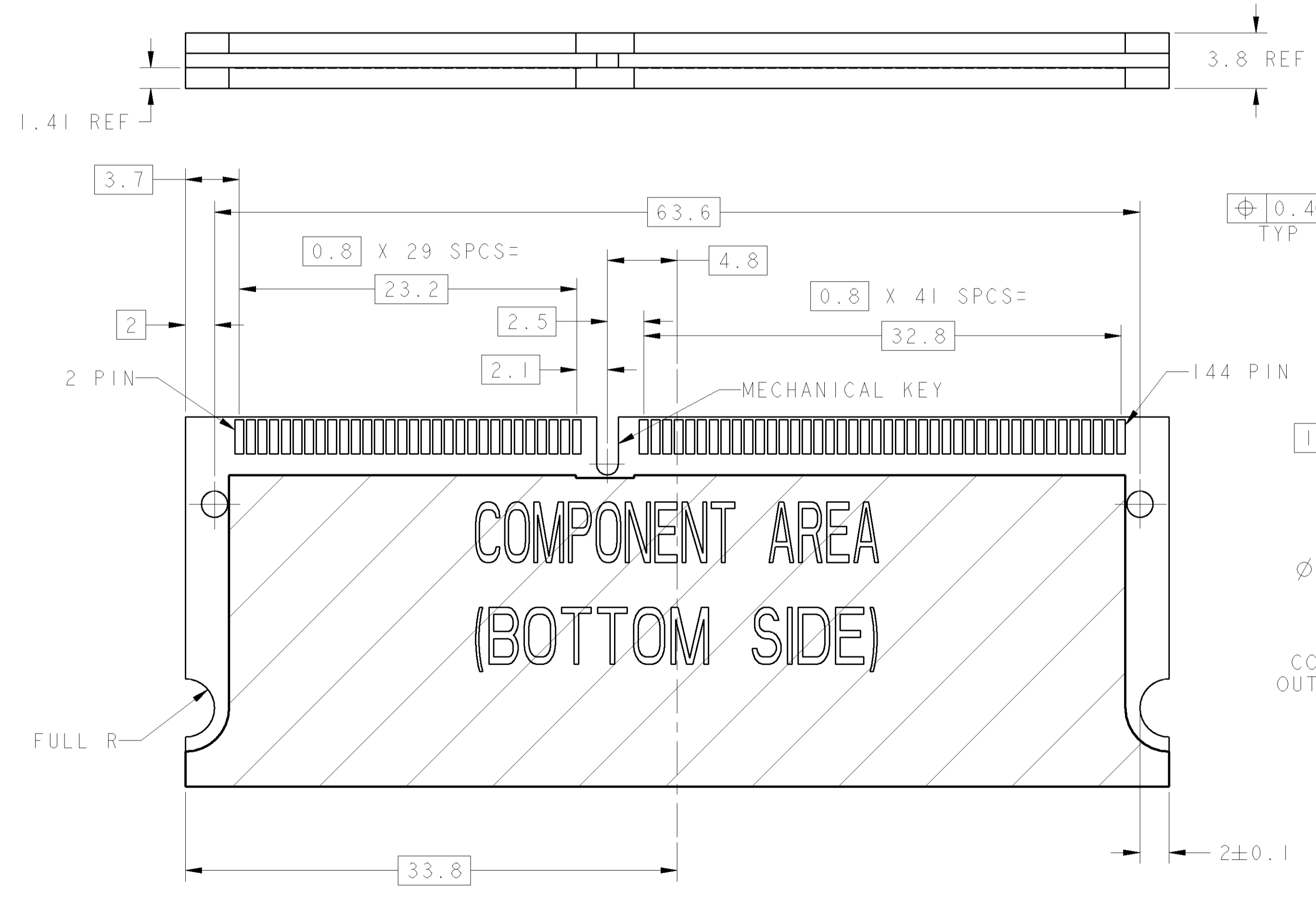
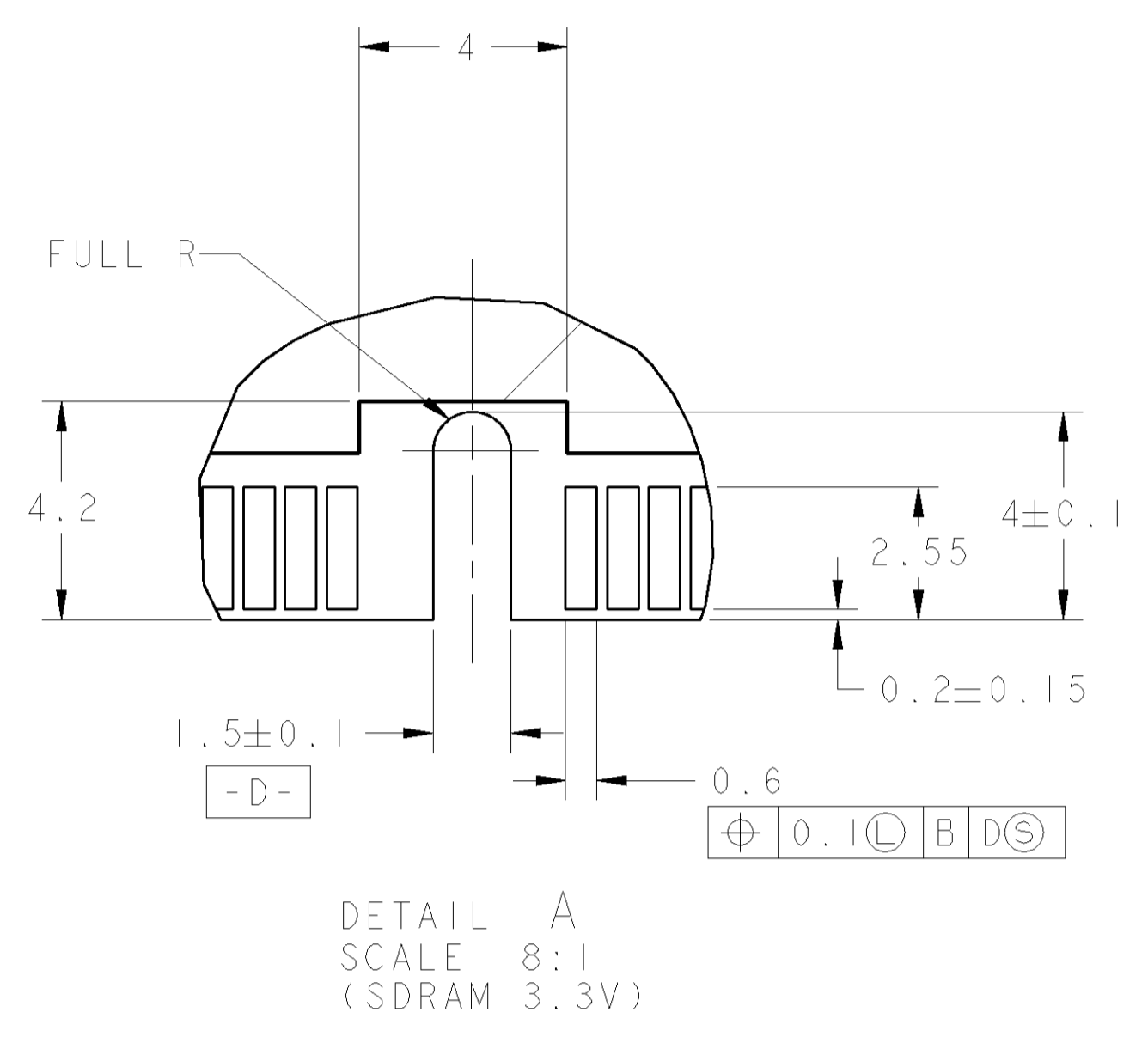
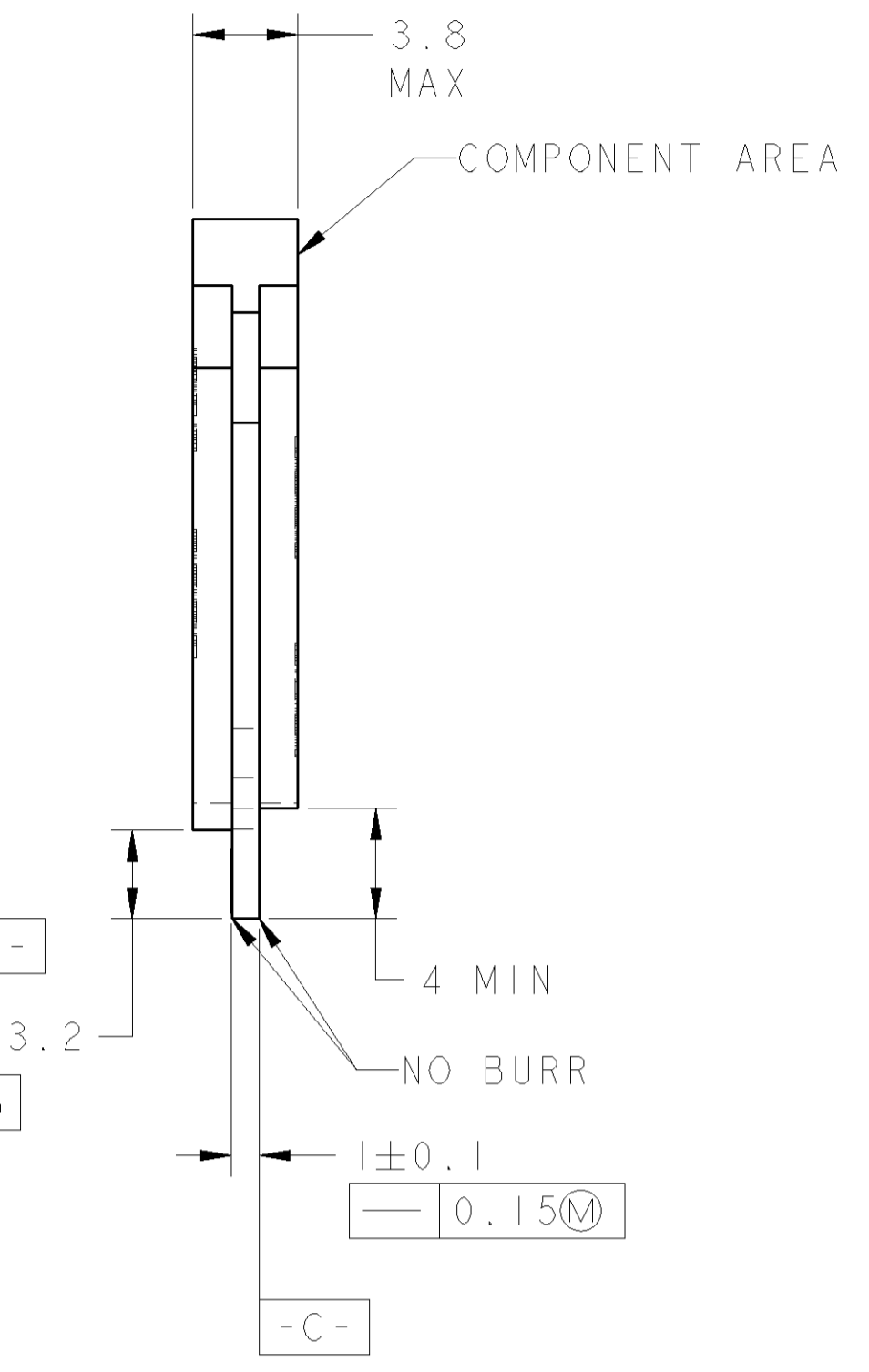
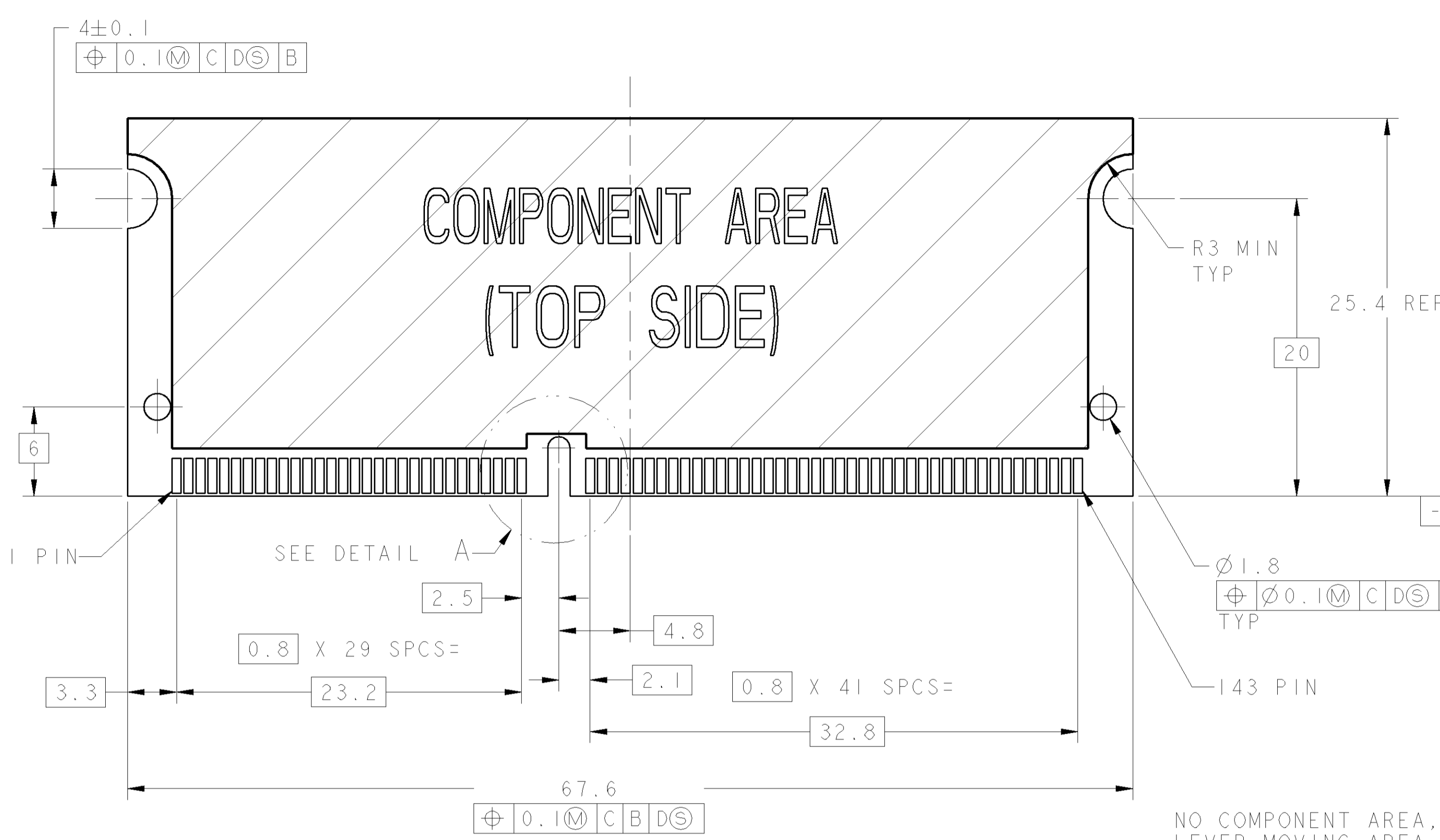
SECTION Y-Y  
 ROTATED 90° CCW  
 SCALE 8:1

DETAIL B  
 SCALE 8:1

SUPERSEDED BY	REMARKS	FINISH	POWER SUPPLY	POS	PART NUMBER
NIL	AVAILABLE	2	DRAM 3.3V	144	6-390113-1 6
3-390113-1	NOT AVAILABLE	5	DRAM 3.3V	144	3-390113-4 4
NIL	AVAILABLE	2	DRAM 3.3V	144	3-390113-1 4
390113-1	NOT AVAILABLE	5	DRAM 3.3V	144	390113-4
NIL	AVAILABLE	2	DRAM 3.3V	144	390113-1

<small>THIS DRAWING IS A CONTROLLED DOCUMENT FOR AMP INCORPORATED. ALL DIMENSIONS SHALL BE TO THE LATEST REVISION. ORGANIZATION SHOULD BE CONTACTED FOR THE LATEST REVISION.</small>		DWN: W. SORAH 6-20-97 CDR: R. TALLEY 6-20-97 APD: SE LEONG	AMP MANUFACTURING (SINGAPORE) PTE. LTD.
DIMENSIONS: mm 	TOLERANCES UNLESS OTHERWISE SPECIFIED: 0 PLC ±0.2 1 PLC ±0.2 2 PLC ±0.2 3 PLC ±0.2 4 PLC ±0.2 ANGLES ±°	NAME: 3.0 DIMM SOCKET, 0.8mm PITCH, 3.3V, 144 POSITION, STD PROFILE FOR SDRAM TYPE MODULE PRODUCT SPEC: - APPLICATION SPEC: - WEIGHT: - CUSTOMER DRAWING	SCALE: 4:1 SHEET: 1 OF 2 REV: L

LOC		DIST		REVISIONS			
NO	DATE	BY	CHK	DESCRIPTION	DATE	DNM	APRD
1				SEE SHEET 1			



DIMENSIONS: mm		TOLERANCES UNLESS OTHERWISE SPECIFIED:		DWN: W. SORAH 6-20-97		AMP MANUFACTURING (SINGAPORE) PTE. LTD.	
Ø	±0.2	PLC	±0.2	CHK: R. TALLEY 6-20-97	NAME: S.O. DIMM SOCKET, 0.8mm PITCH, 3.3V, 144 POSITION, STD PROFILE FOR SDRAM TYPE MODULE		
PLC	±0.2	PLC	±0.2	APRD: SE LEONG	SIZE: CAGE CODE: DRAWING NO: RESTRICTED TO		
PLC	±0.2	PLC	±0.2	PRODUCT SPEC	A1 00779 C=390113		
PLC	±0.2	PLC	±0.2	APPLICATION SPEC	WEIGHT: -		
PLC	±0.2	PLC	±0.2	ANGLE	CUSTOMER DRAWING		
PLC	±0.2	PLC	±0.2	FINISH: SEE TABLE	SCALE: 4:1 SHEET 2 OF 2 REV L		