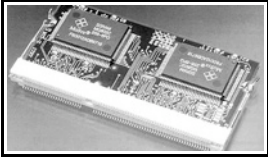


390322-1 Product Details

[Share](#) [Print](#) [Email](#)




390322-1

TE Internal Number: 390322-1

 **Active**

[View 3D PDF](#)

Memory Sockets

-  Always EU RoHS/ELV Compliant
(Statement of Compliance)

Product Highlights:

- Socket Type = Memory Card
- Socket Style = SO DIMM
- Gold Contact Plating, Mating Area, Material
- 144 Positions
- DRAM Type = Small Outline (SO)

[View all Features](#)

Quick Links

- ▶ [Pricing & Availability](#)
- ▶ [Search for Tooling](#)
- ▶ [Product Feature Selector](#)
- ▶ [Contact Us About This Product](#)

[Add to My Part List](#)

[Request Sample](#)

[Find Similar Products](#)

[Buy Product](#)

Documentation & Additional Information

Product Drawings:

- [S.O.DIMM SKT. Assy. 0.8mm PITCH 144 P 8mm PRO. for S...](#) (PDF, English)

Catalog Pages/Data Sheets:

- None Available

Product Specifications:

- None Available

Application Specifications:

- None Available

Instruction Sheets:

- None Available

CAD Files: [\(CAD Format & Compression Information\)](#)

- [2D Drawing](#) (DXF, Version A)
- [3D Model](#) (IGES, Version A)
- [3D Model](#) (STEP, Version A)

[List all Documents](#)

Additional Information:

- [Product Line Information](#)

Related Products:

- [Tooling](#)

Product Features (Please use the Product Drawing for all design activity)

Product Type Features:

- [DRAM Type](#) = Small Outline (SO)
- [PCB Mount Style](#) = Surface Mount
- [Module Orientation](#) = Right Angle
- [Profile](#) = High

Electrical Characteristics:

- [DRAM Voltage](#) = 3.3 V

Termination Features:

- [Insertion Style](#) = Cam-In

Body Features:

- [Ejector Location](#) = None
- [Latch Material](#) = Stainless Steel
- [Latch Plating](#) = Tin
- [Mount Type](#) = Printed Circuit Board

Housing Features:

- [Centerline \(mm \[in\]\)](#) = 0.80 [0.031]
- [Housing Material](#) = High Temperature Plastic
- [Housing Color](#) = Natural

Configuration Features:

- [Number of Positions](#) = 144
- [Number of Rows](#) = Dual
- [Center Key \(mm \[in\]\)](#) = 4.80 [.189] Offset Left
- [Number of Keys](#) = 1

Industry Standards:

- [RoHS/ELV Compliance](#) = RoHS compliant, ELV compliant
- [Lead Free Solder Processes](#) = Reflow solder capable to 245°C, Reflow solder capable to 260°C
- [RoHS/ELV Compliance History](#) = Always was RoHS

- Module Key Type = SDRAM

Contact Features:

- Socket Type = Memory Card
- [Socket Style](#) = SO DIMM
- Contact Plating, Mating Area, Material = Gold
- Contact Base Material = Copper Alloy
- Solder Tail Contact Plating = Gold Flash

compliant

- UL Flammability Rating = UL 94V-0

Packaging Features:

- Packaging Method = Soft Tray
- Packaging Quantity = 20

Other:

- Brand = AMP

Corporate Information

[About TE](#)
[Investors](#)
[News Room](#)
[Supplier Portal](#)
[Careers](#)
[Terms & Conditions](#)
[Privacy Policy](#)
[AODA Accessibility Policy](#)
[AODA Multi-Year Accessibility Plan](#)

Quick Links

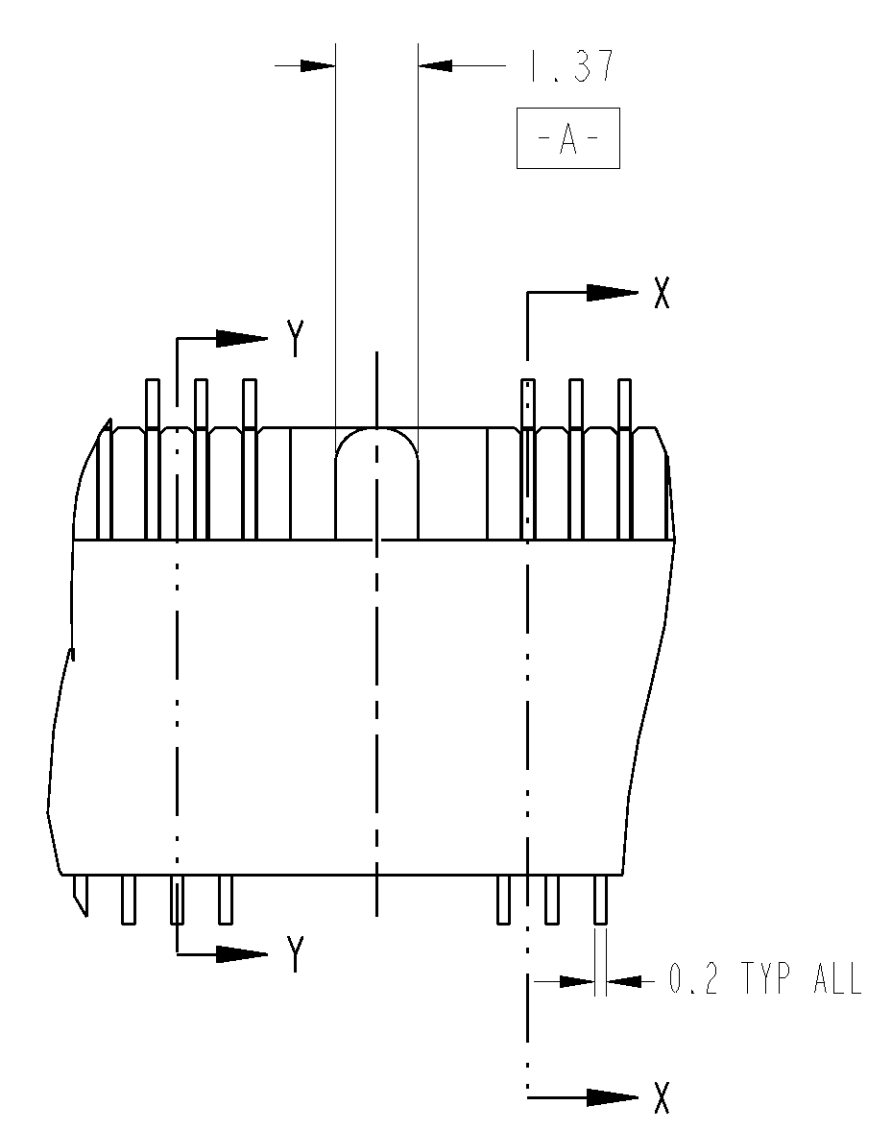
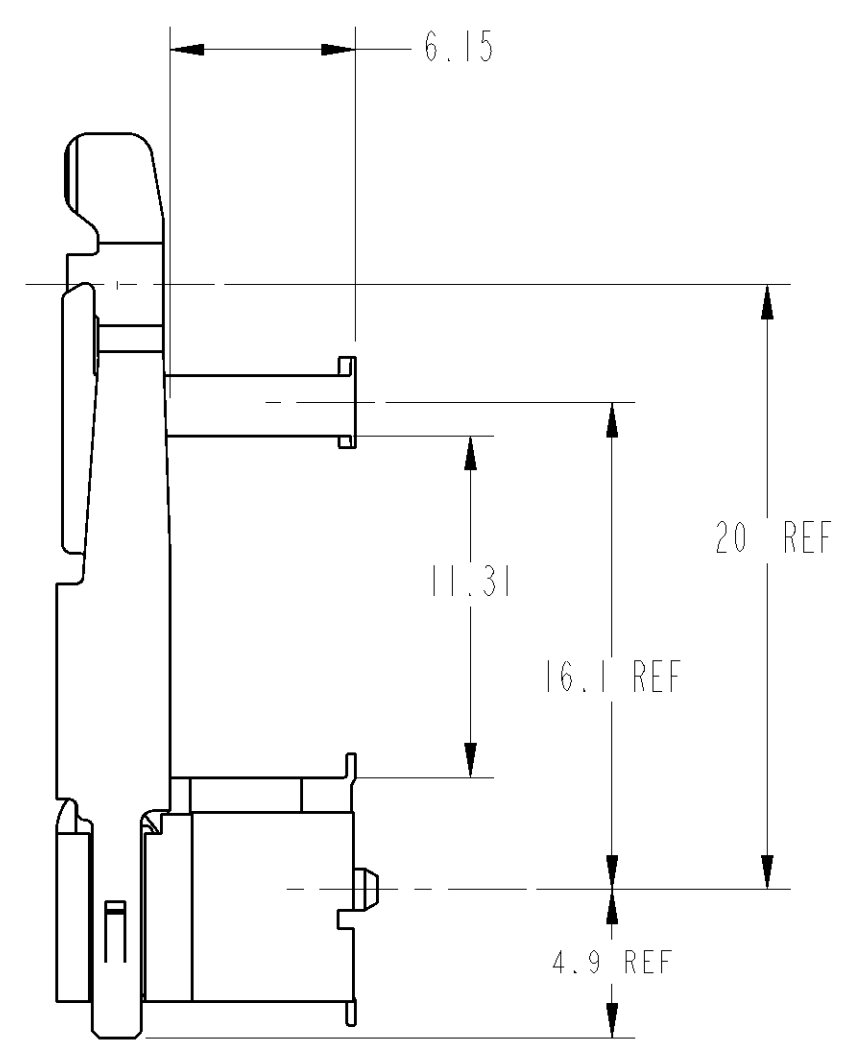
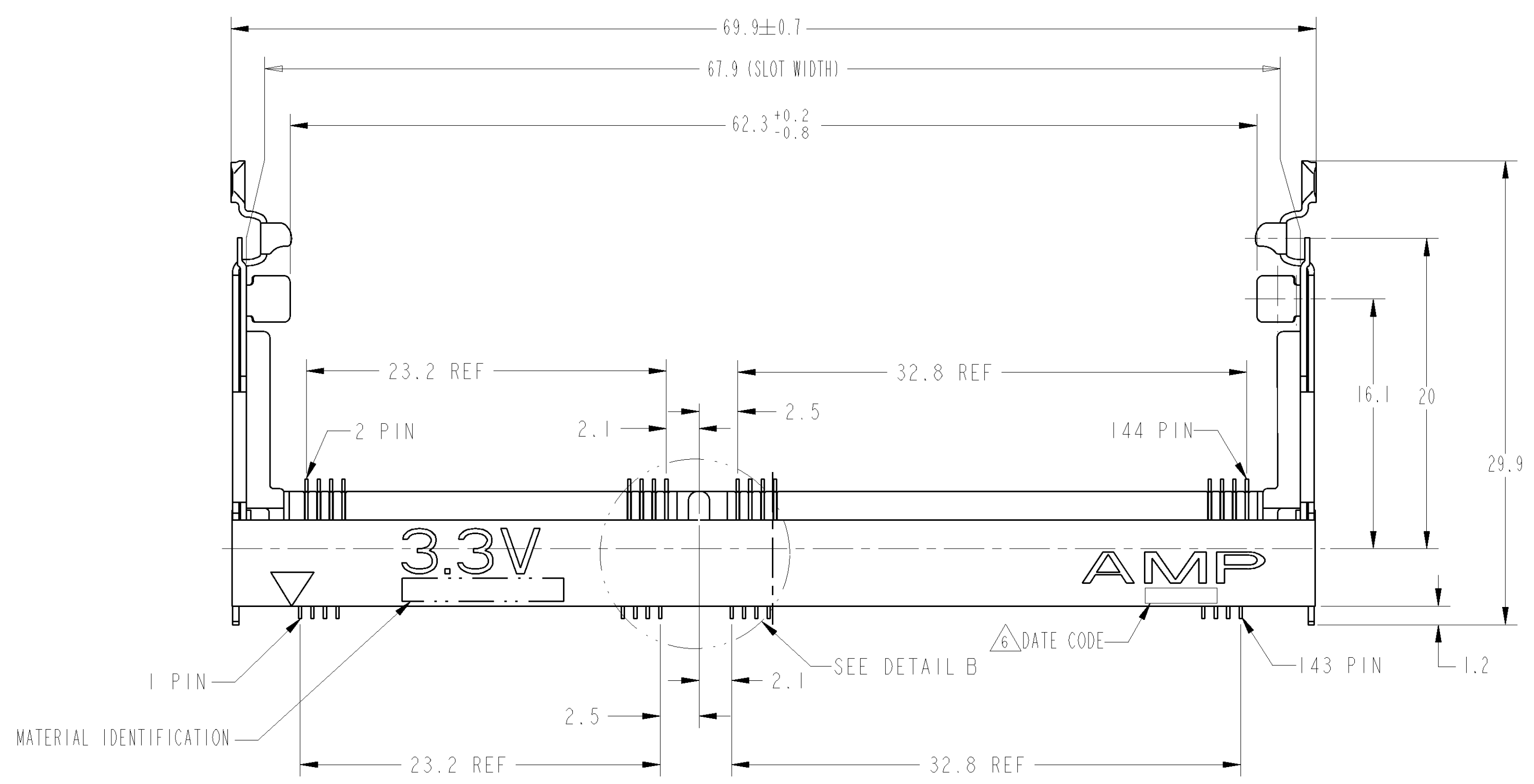
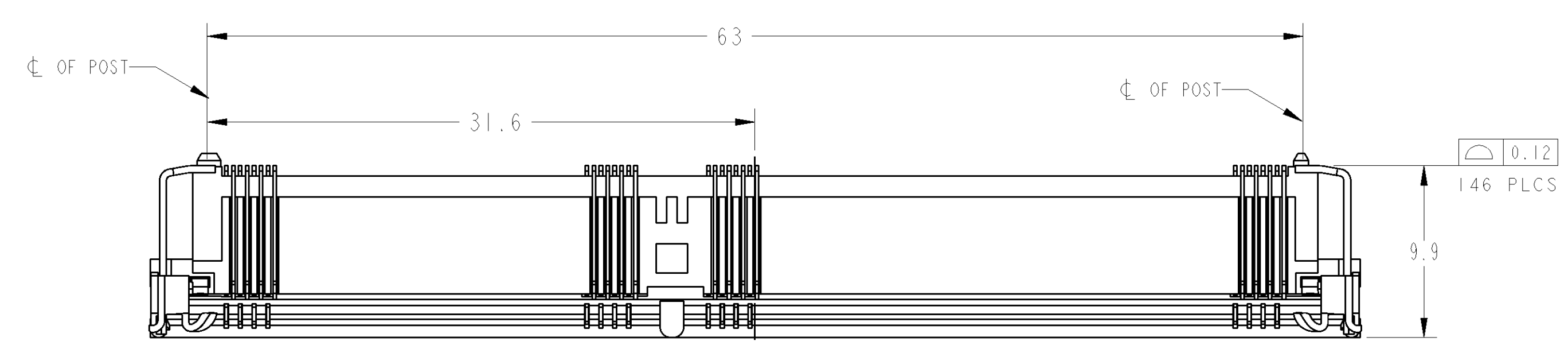
[Distributor Inventory](#)
[Product Cross Reference](#)
[Documents & Drawings](#)
[Product Compliance Support Center](#)
[Site Map](#)

Customer Support

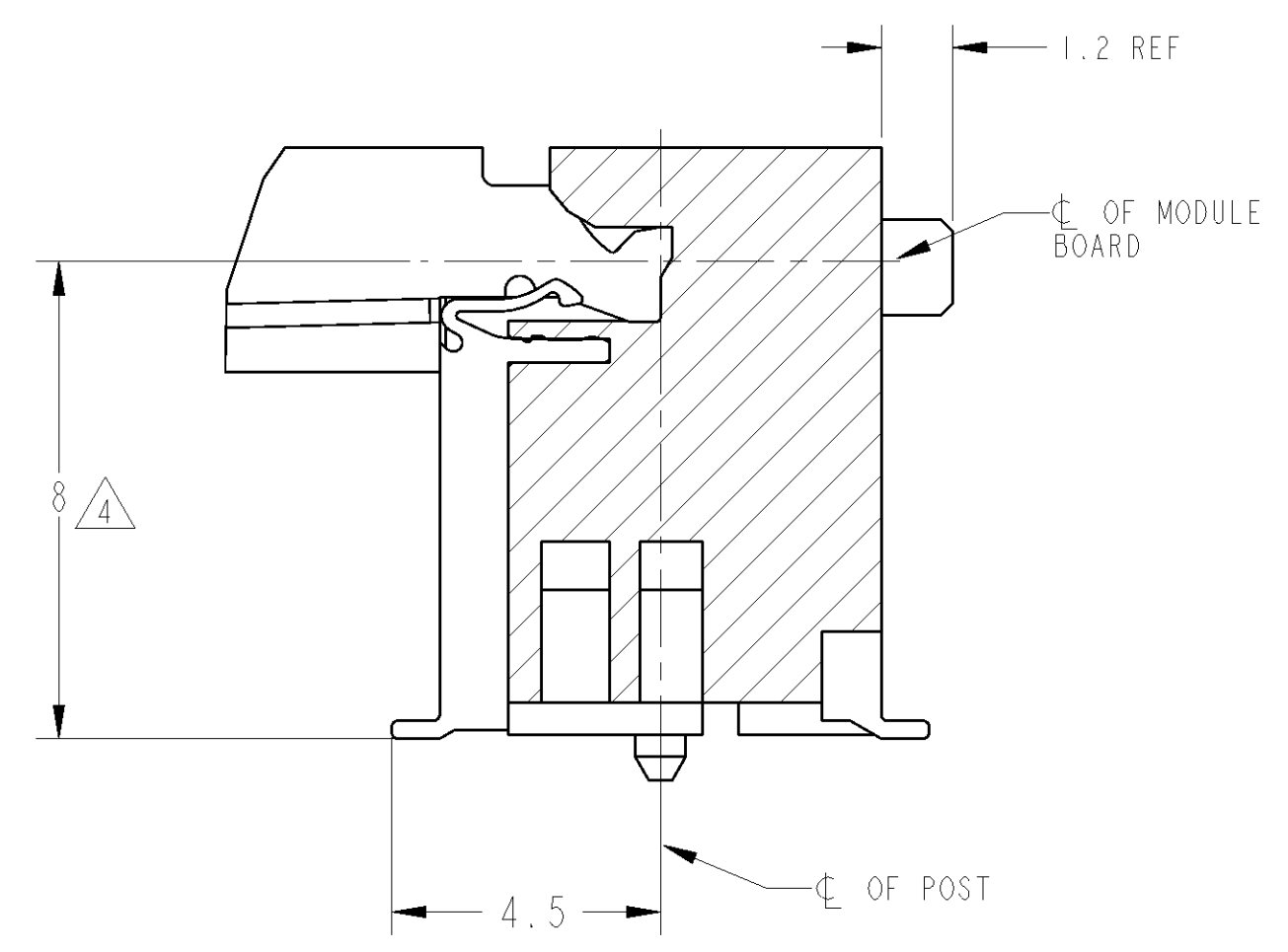
[Email or Chat With Us](#)
[Find a Phone Number](#)
[Knowledge Base](#)
[Manage Your Account](#)

Keep Me Informed

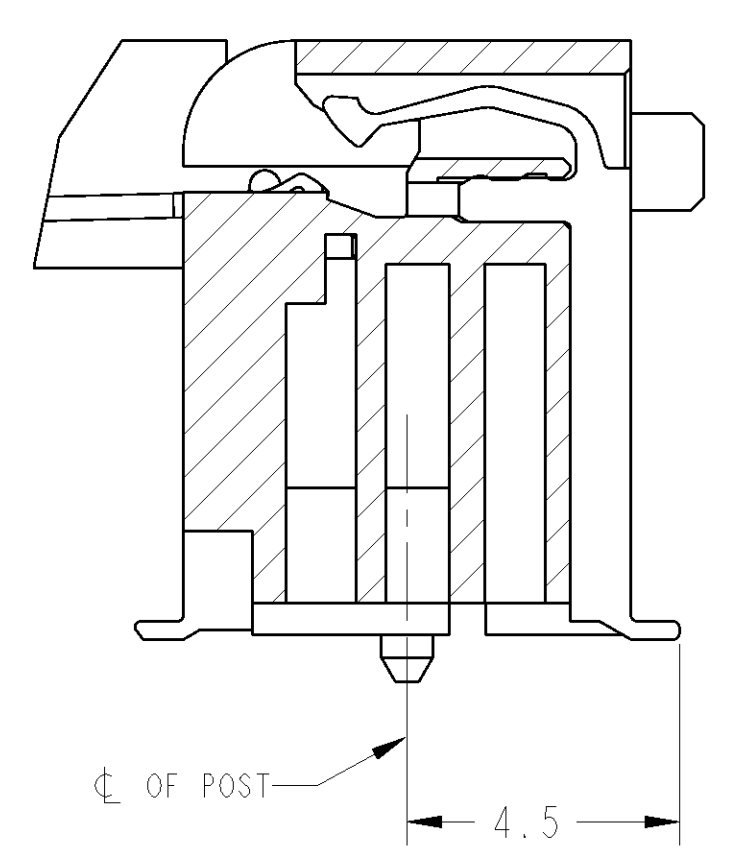
LOC	DIST	REVISONS			
F	LTR	DESCRIPTION	DATE	DWN	APFD
L1		REVISED PER ECO-11-005139	19MAR11	RK	HMR



DETAIL B
SCALE 8:1



SECTION X-X
SCALE 8:1
90° ROTATE



SECTION Y-Y
SCALE 8:1
90° ROTATE

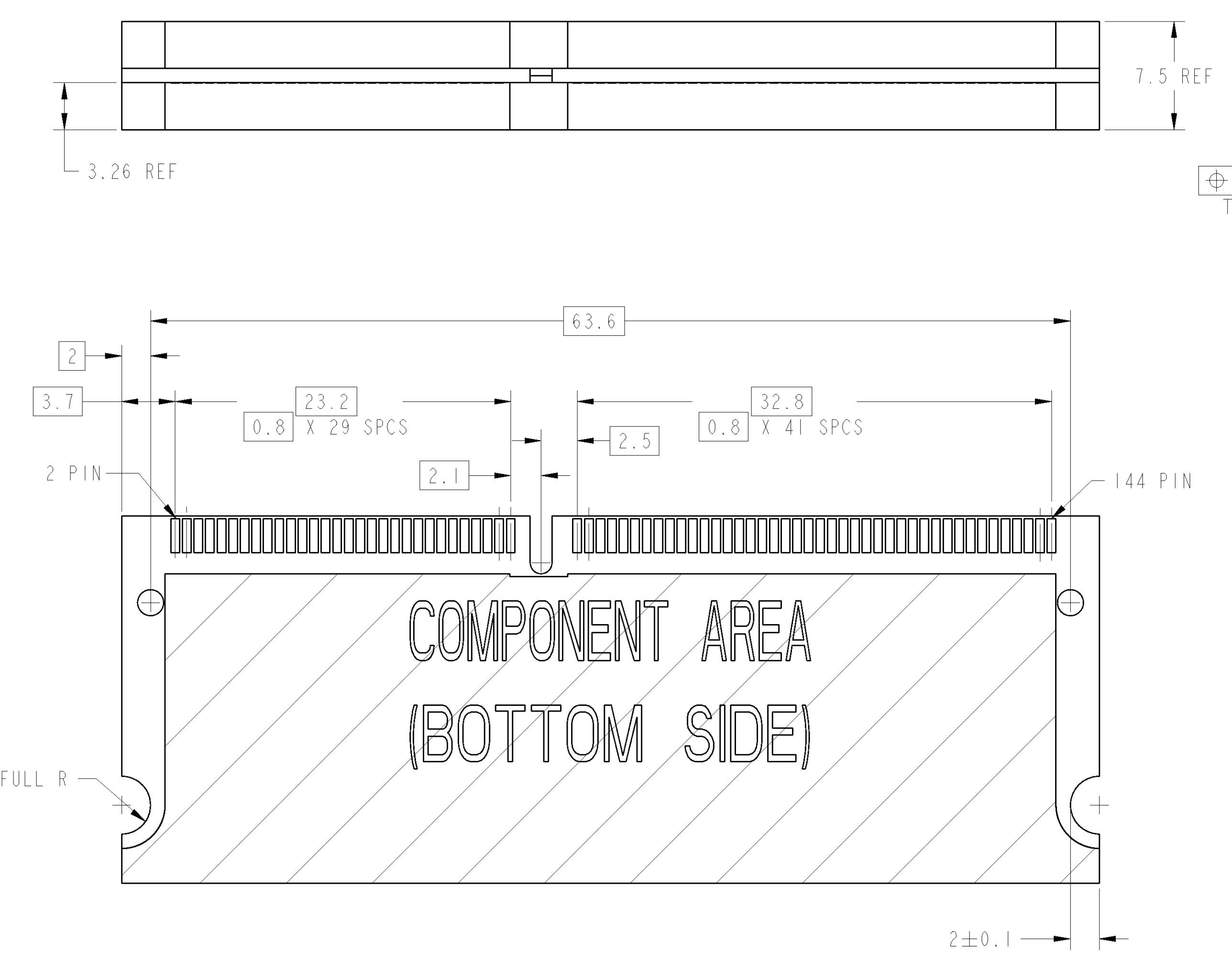
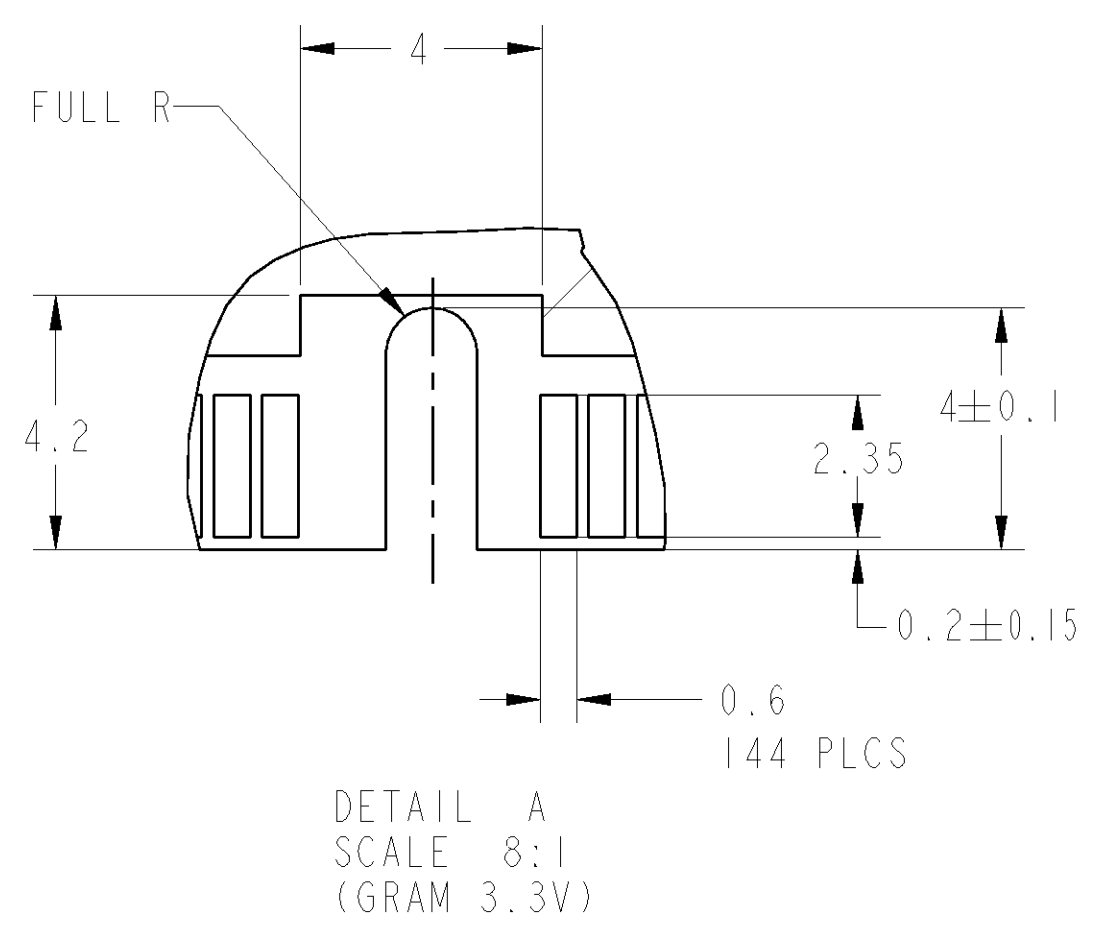
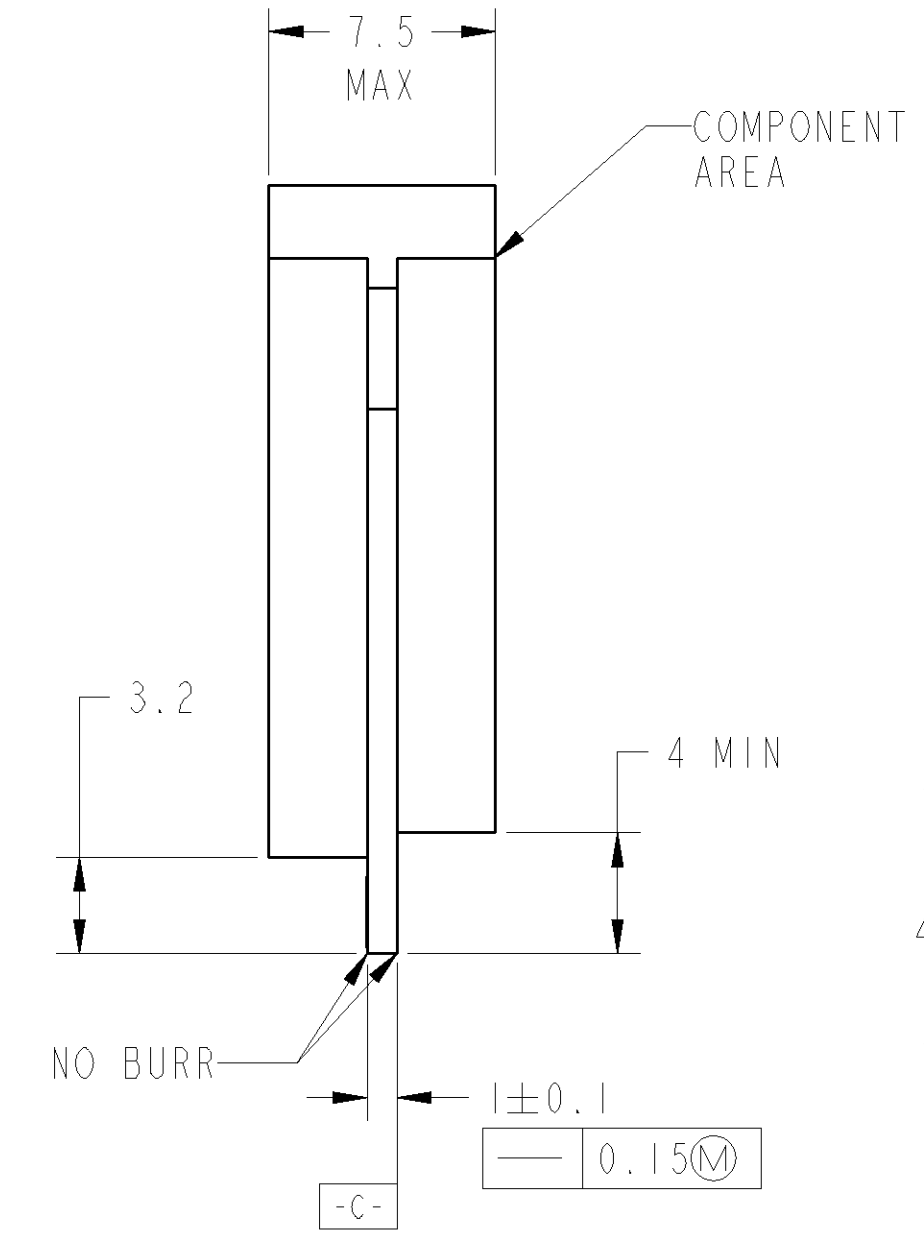
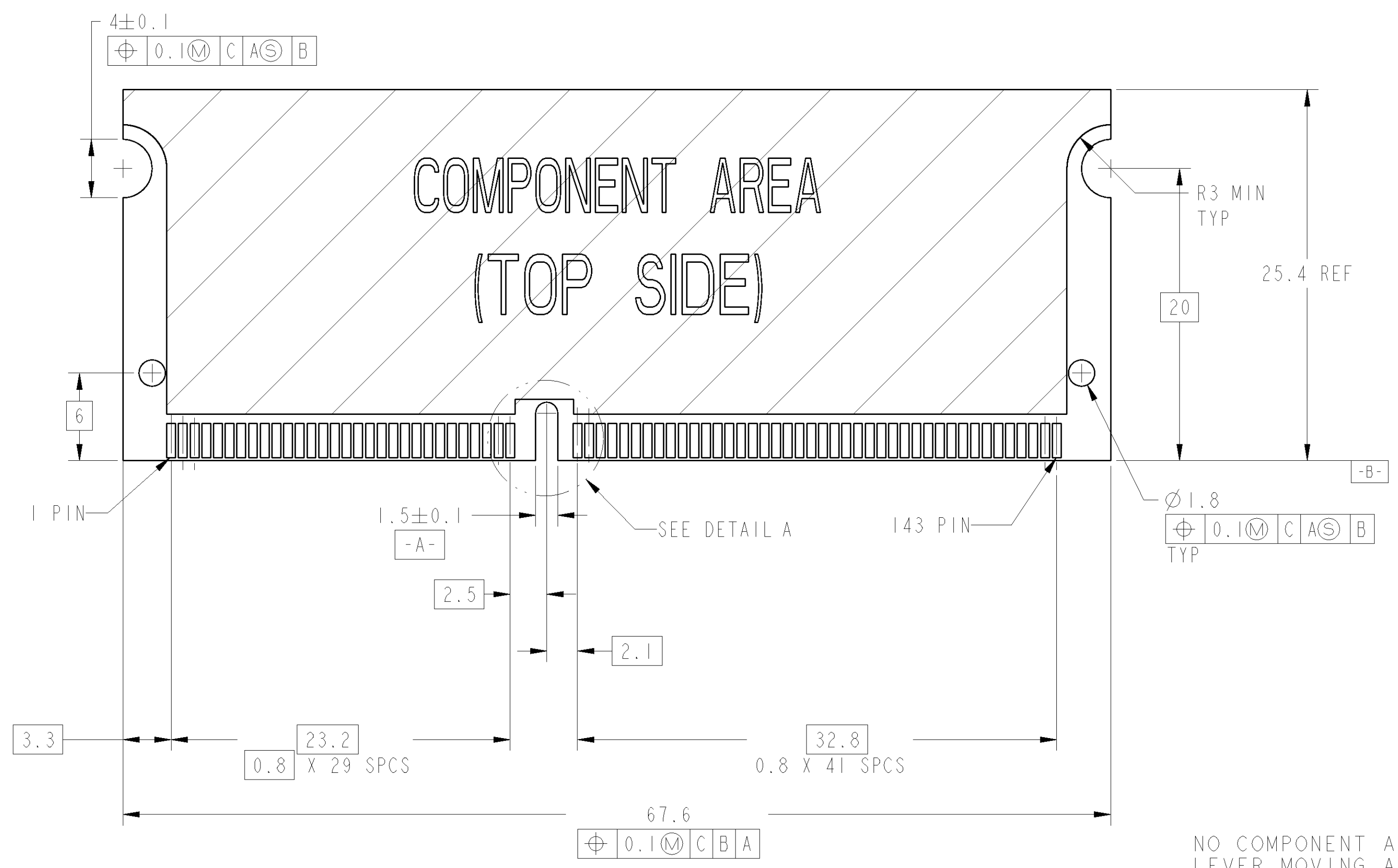
- 1 MATERIAL, HOUSING, HIGH TEMP. PLASTIC, UL94V-0
CONTACT: COPPER ALLOY
LOCK LEVER: SUS301 TIN PLATING.
- 2 FINISH; CONTACT AREA: 0.00025 MIN GOLD PLT ON
0.001 MIN ALL OVER NICKEL
SOLDERING AREA: 0.00005 MIN TO 0.00030 MAX GOLD PLATE
- 3. TOLERANCES NON-ACCUMULATIVE.
- 4 DIMENSIONING TO MODULE CENTER LINE.
- 5 PART PACKAGING PER EIA-IS-704 STANDARD REEL
DIAMETER SHALL BE 330mm. TAPE WIDTH SHALL
BE 88mm AND TAPE PITCH SHALL BE 36mm
- 6 DATE CODE (4-DIGITS), LOCATED AS SHOWN.
TO BE INTERPRETED AS FOLLOWS:
DIGIT # 1 - LAST DIGIT OF YEAR.
DIGITS # 2 AND # 3 - CALENDAR WEEK.
DIGIT # 4 - DAY OF THE WEEK (WITH SUNDAYS AS DAY 1).

AVAILABLE	SDRAM 3.3V	144	6-390322-1
AVAILABLE	SDRAM 3.3V	144	390322-1
REMARKS	POWER SUPPLY	POS	PART NUMBER

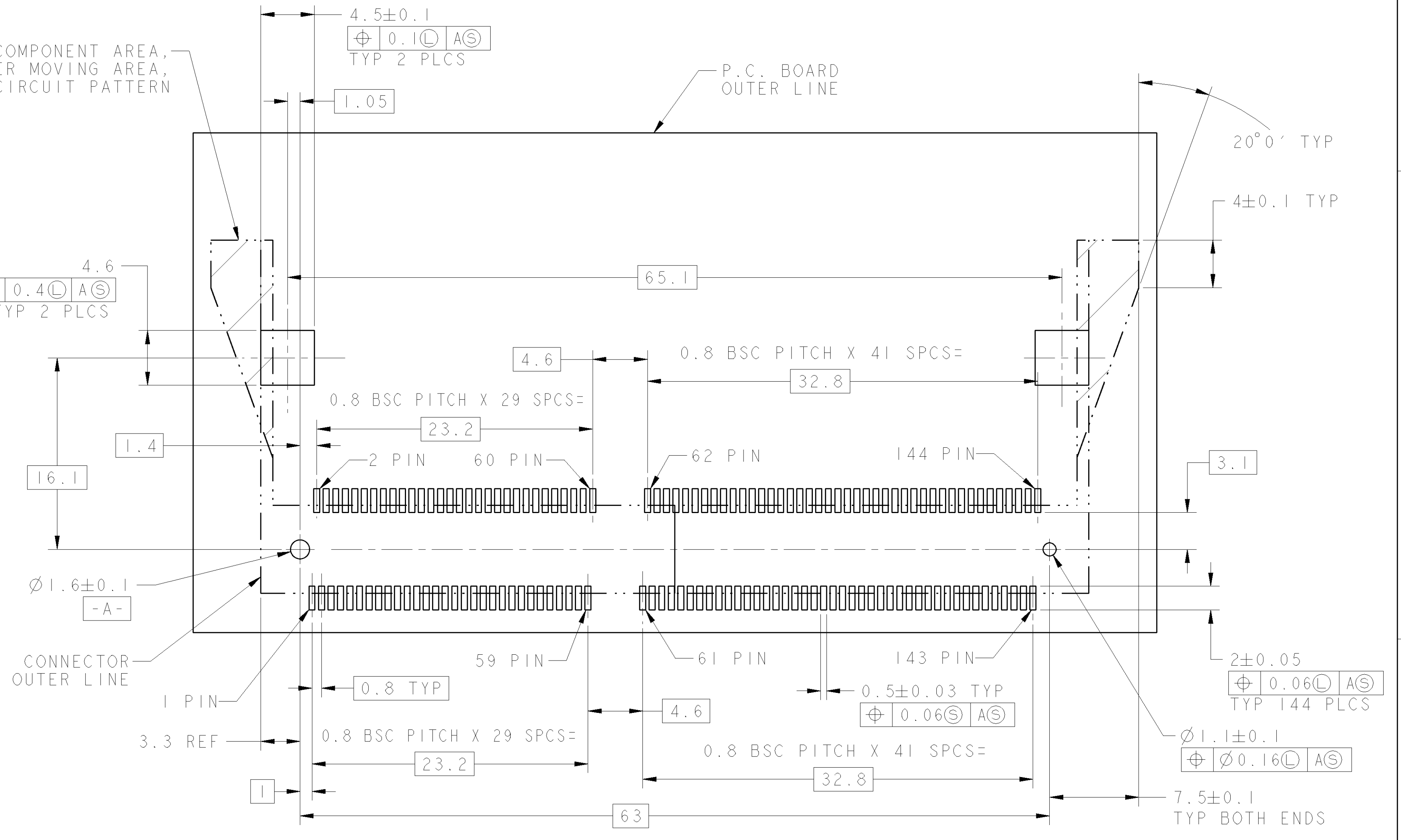
DIMENSIONS:		TOLERANCES UNLESS OTHERWISE SPECIFIED:		DWN J. BURWELL 8NOV99		REV K. KREIDLER 22JUL99		NAME	
mm	0 PLC ±	1 PLC ±0.2	2 PLC ±0.2	3 PLC ±0.2	4 PLC ±	ANGLES	FINISH	SIZE	CAGE CODE
								A1	00779
MATERIAL		FINISH		WEIGHT		CUSTOMER DRAWING		DRAWING NO	
								C=390322	
								SCALE 4:1 SHEET 1 OF 2 REV L1	



S.O.DIMM SOCKET ASSY., 0.8mm PITCH
144 POS., 8mm PROFILE
FOR SDRAM TYPE MODULE



NO COMPONENT AREA, LEVER MOVING AREA, ACCEPT CIRCUIT PATTERN



RECOMMENDED P.C. BOARD PATTERN LAYOUT (CONNECTOR MOUNTING SIDE)

DIMENSIONS: mm		TOLERANCES UNLESS OTHERWISE SPECIFIED:		DRAWN: J. BURWELL 01FEB01		CHK: K. KREIDLER 23JUL99		APD: S. LEONG		NAME: S.O.DIMM SOCKET ASSY., 0.8mm PITCH 144 POS., 8mm PROFILE FOR SDRAM TYPE MODULE	
0 PLCS	±	1 PLCS	±0.2	2 PLCS	±0.2	3 PLCS	±0.2	4 PLCS	±	ANGLES	
MATERIAL		FINISH		WEIGHT		SIZE	CAGE CODE	DRAWING NO.	SCALE	SHEET	REV
						A1	00779	C=390322	4:1	2	2
CUSTOMER DRAWING				SCALE: 4:1		SHEET: 2 OF 2		REV: L1			