

Distributed by:

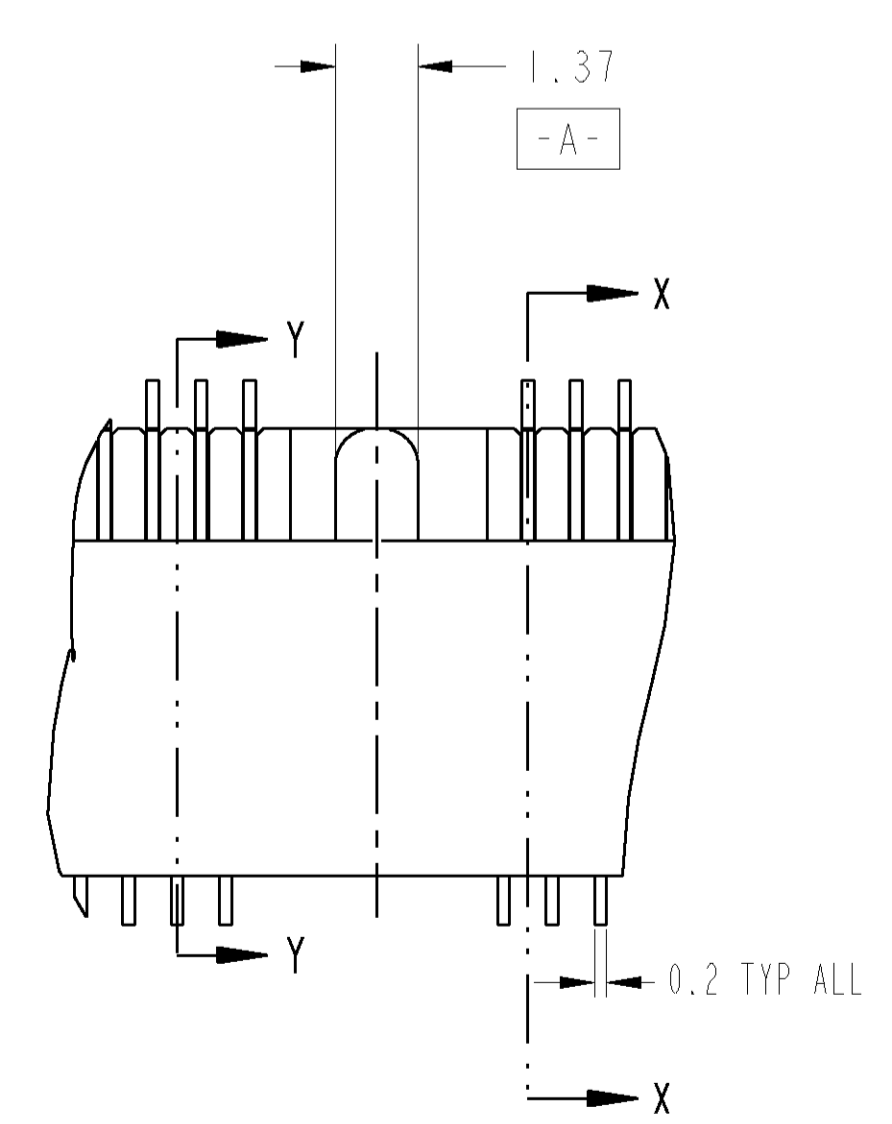
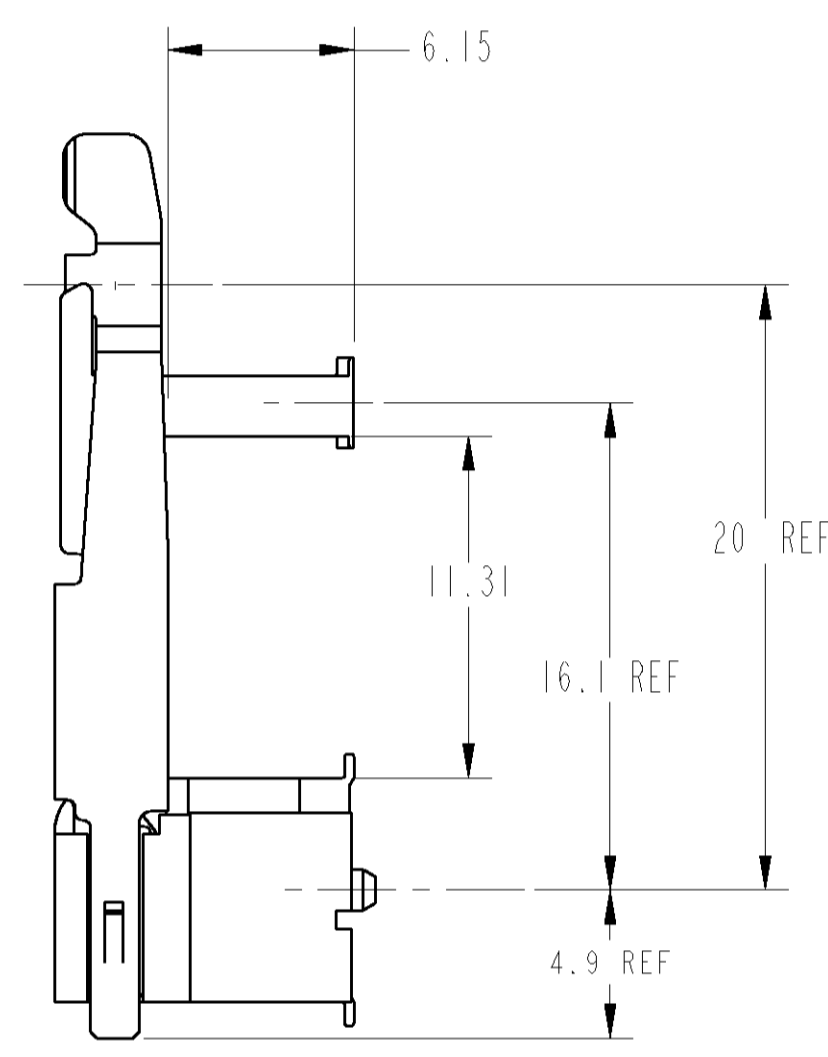
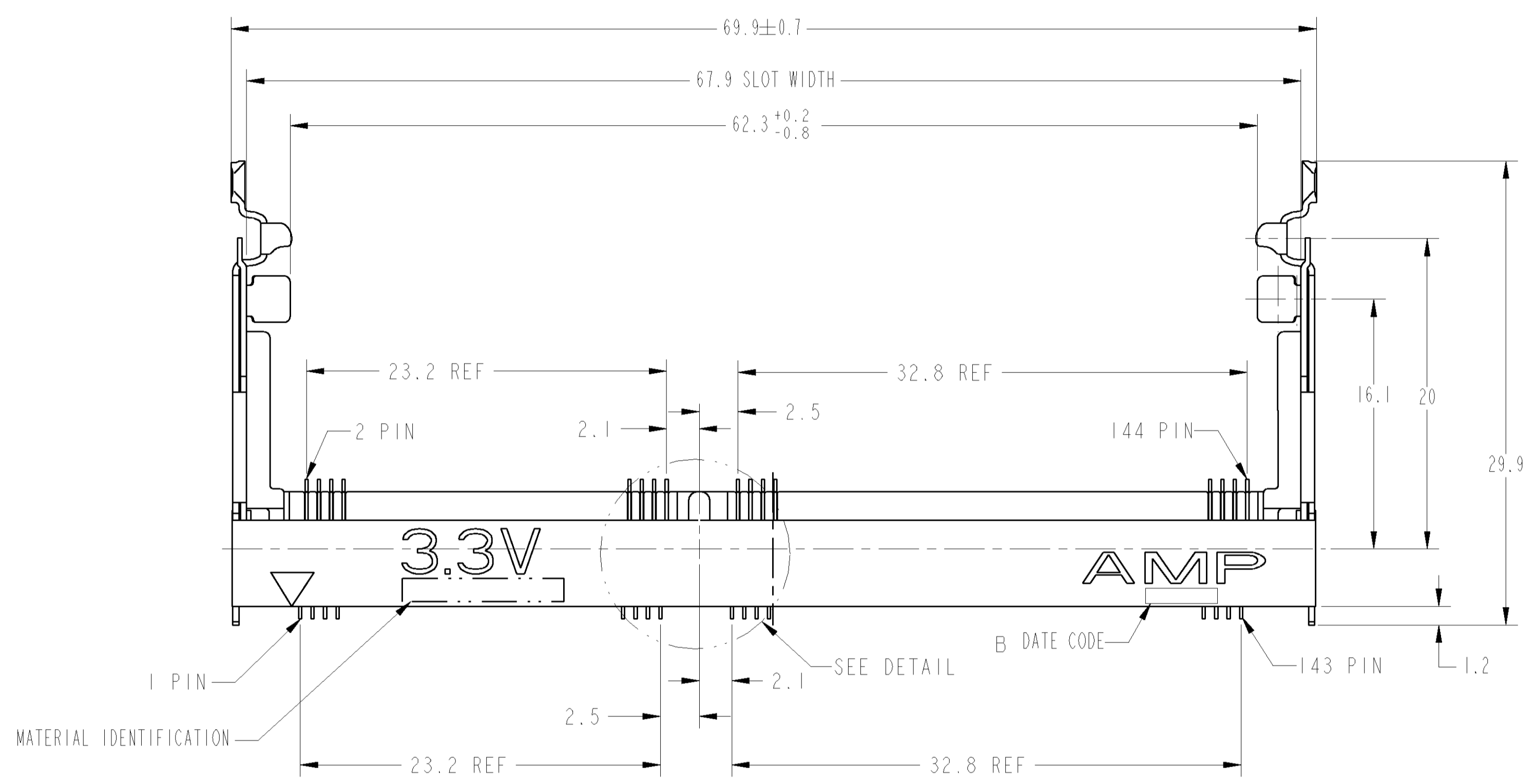
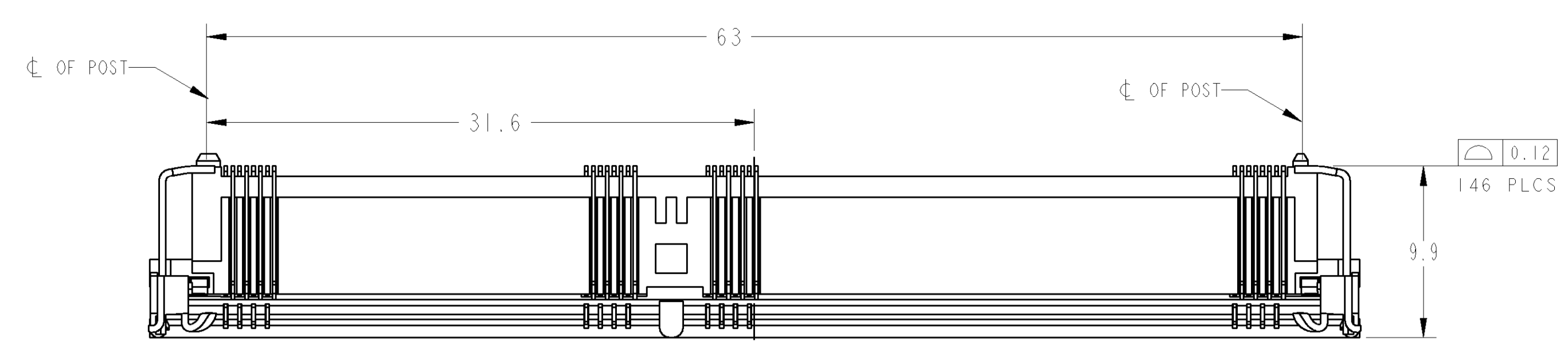
JAMECO[®]
ELECTRONICS

www.Jameco.com ♦ 1-800-831-4242

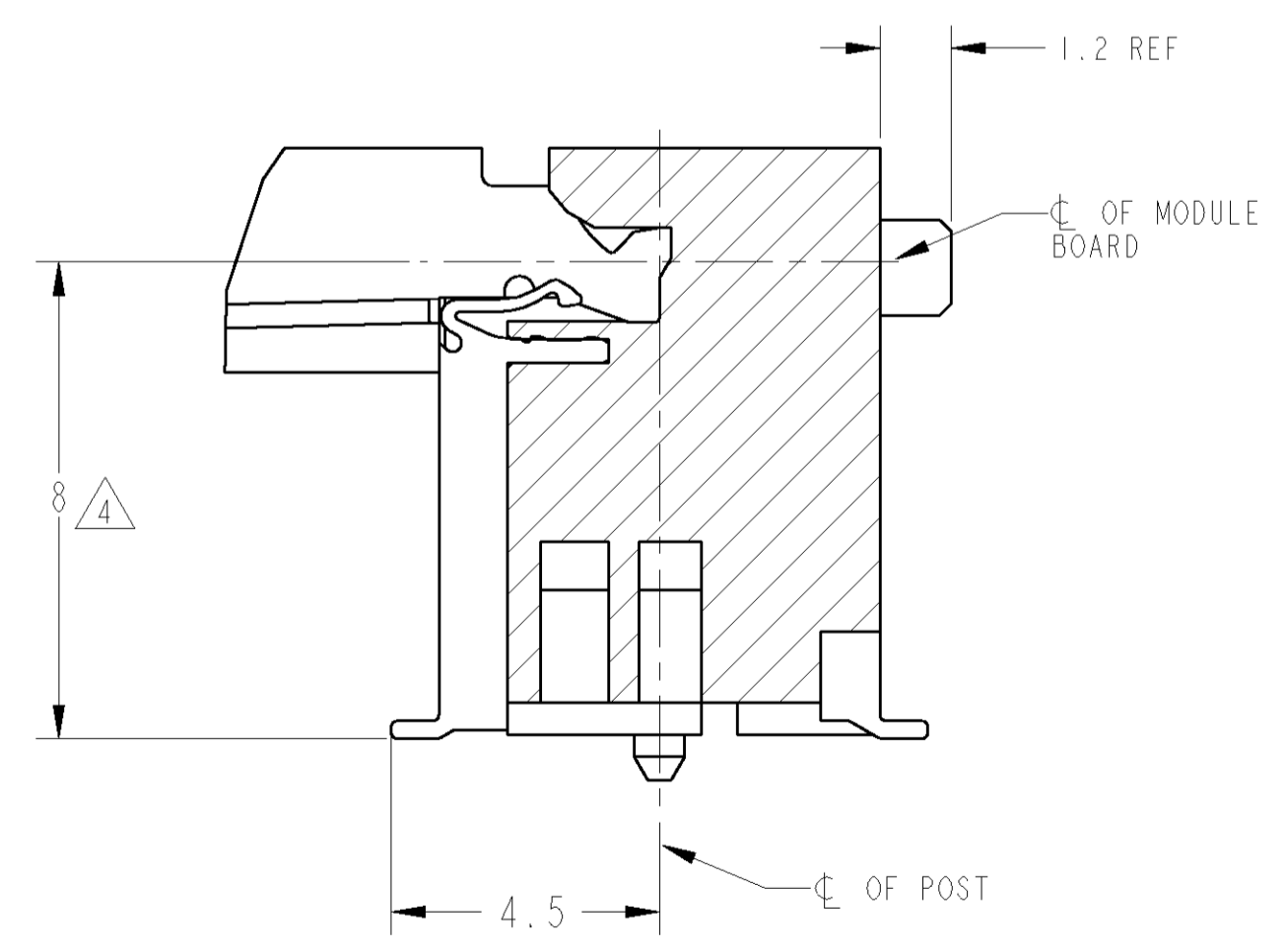
The content and copyrights of the attached
material are the property of its owner.

Jameco Part Number 847973

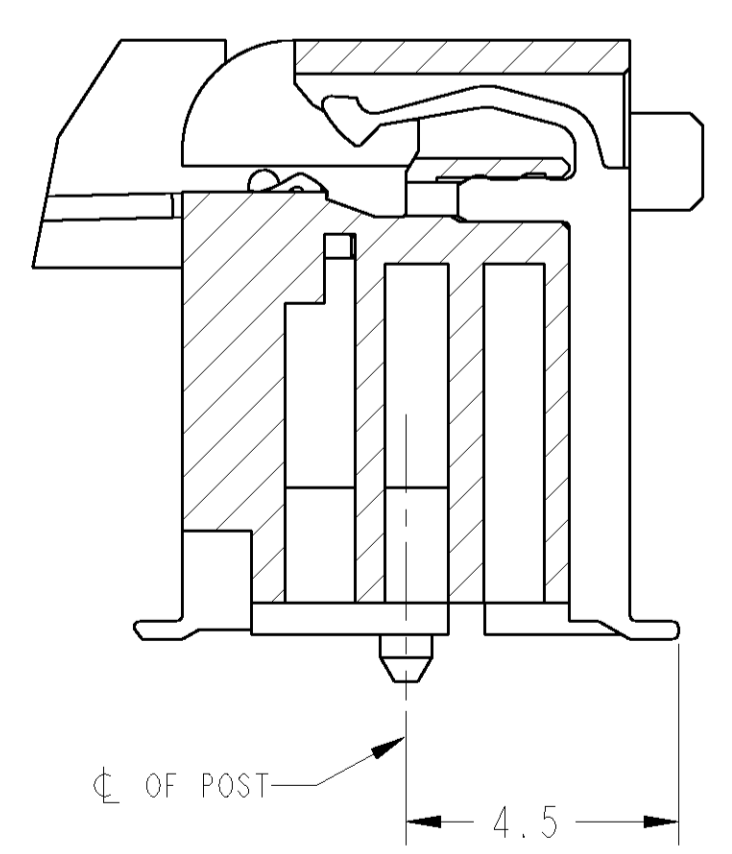
LOC		DIST		REVISIONS			
NO.	BY	DATE	DESCRIPTION	DATE	BY	REV	APPROV
1	LDY	-					
2	K		REVISED ECR-05-012431	05OCT05	SYJ	LSF	



DETAIL B
SCALE 8:1



SECTION X-X
SCALE 8:1
90° ROTATE



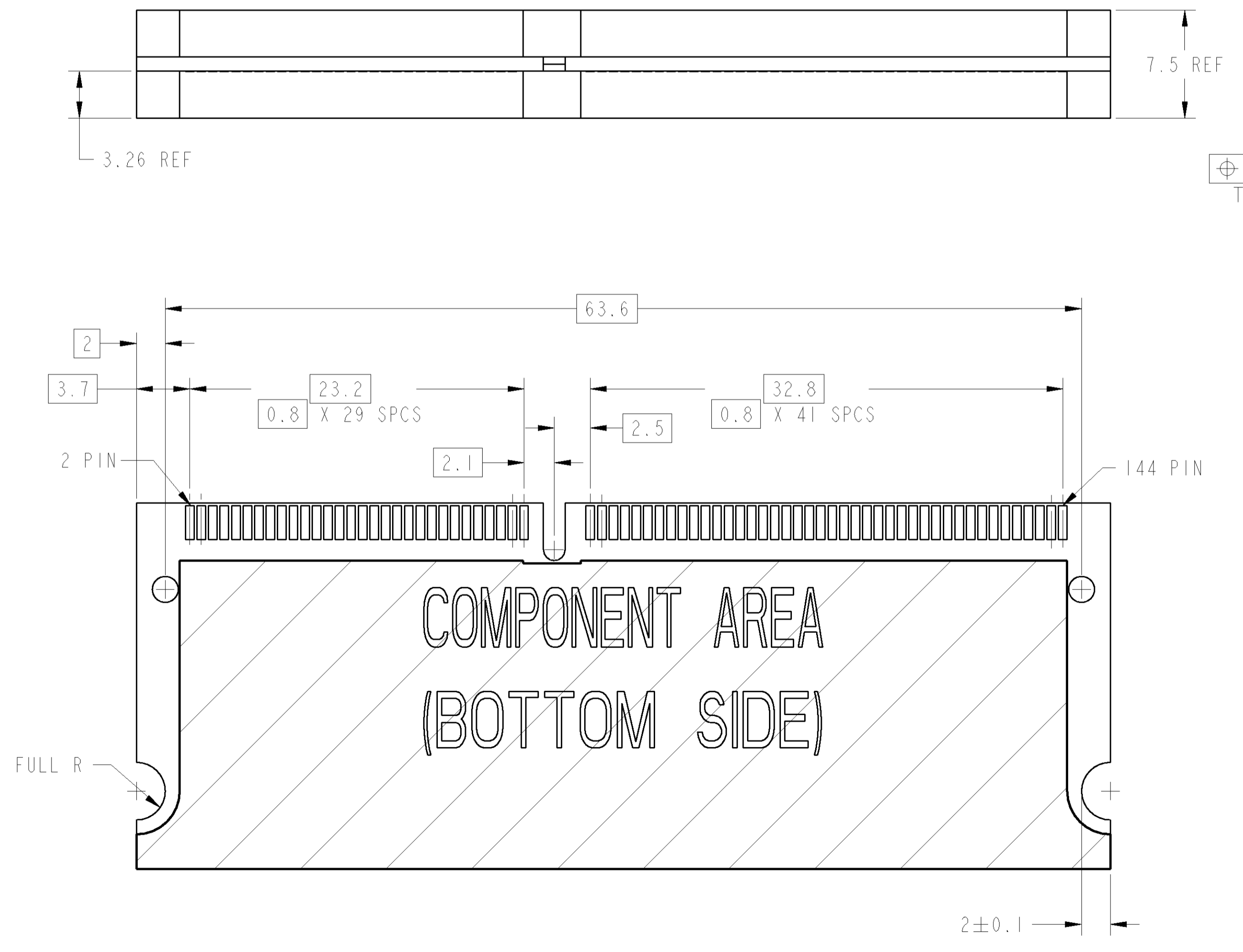
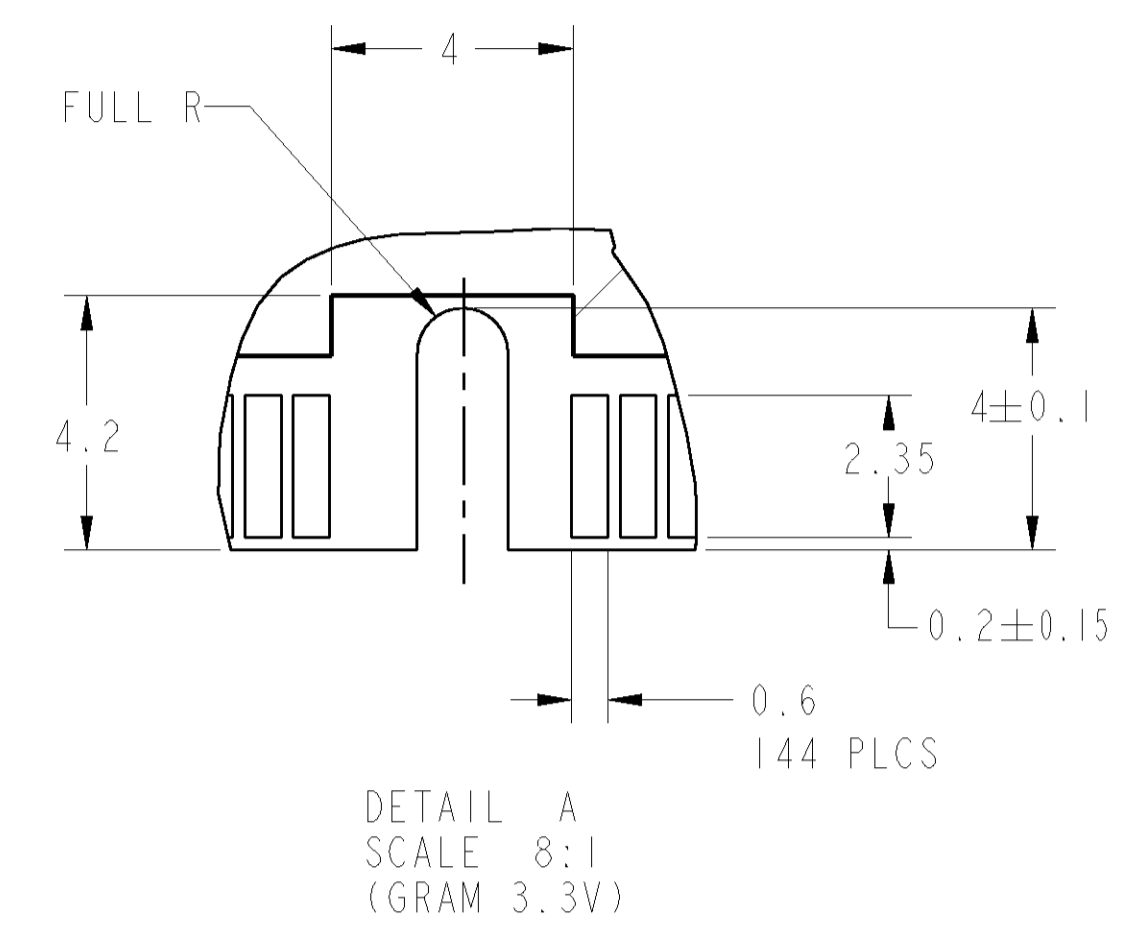
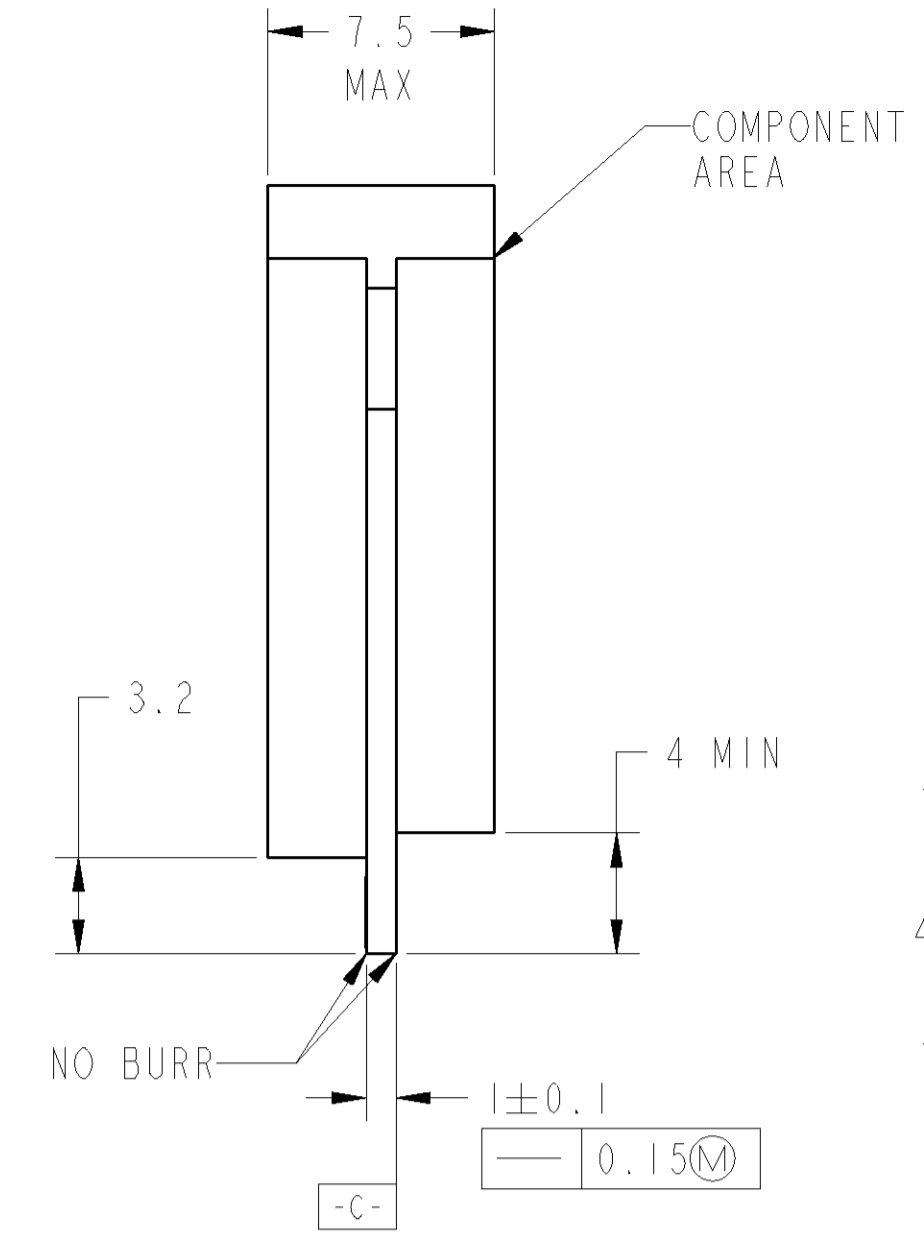
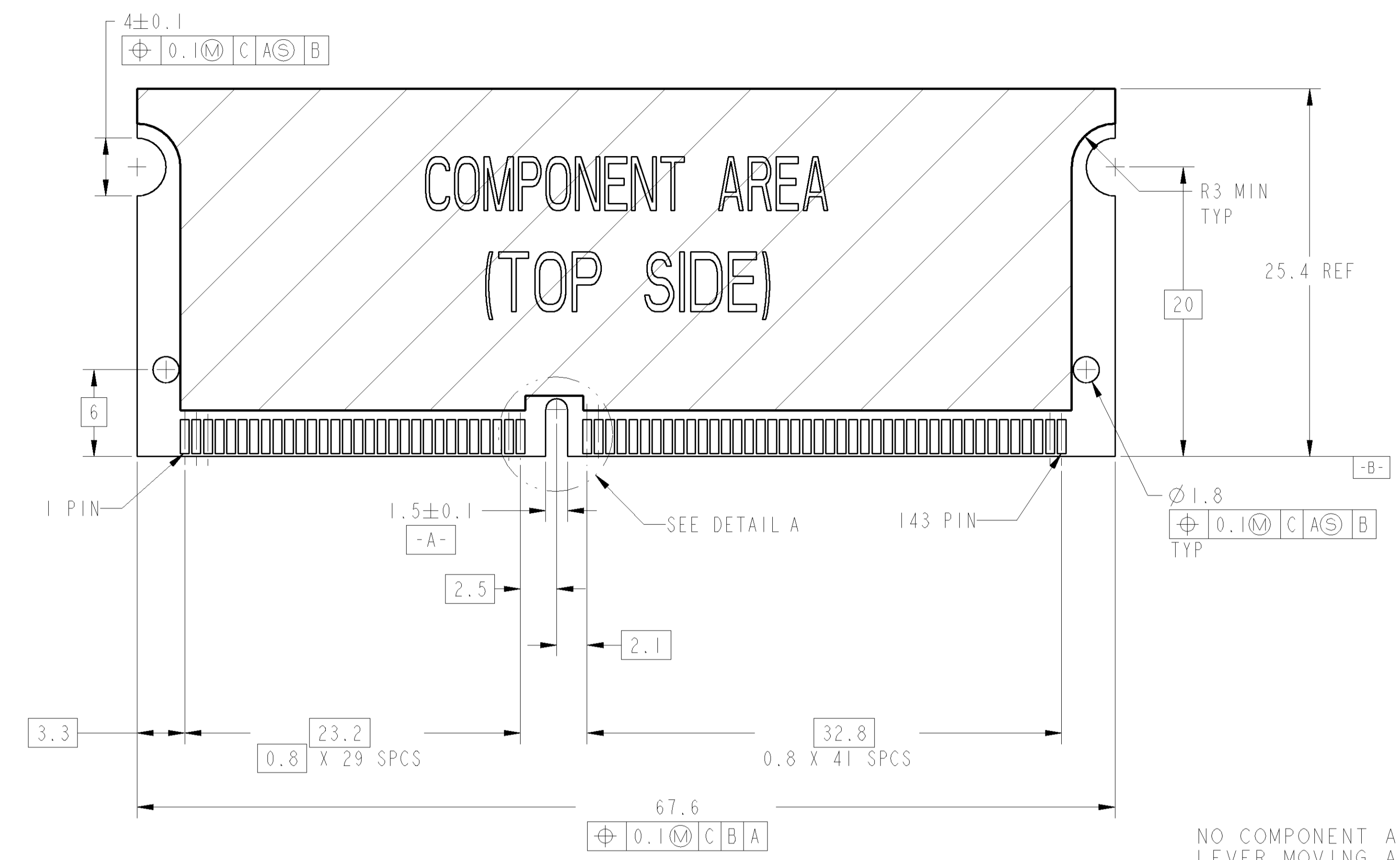
SECTION Y-Y
SCALE 8:1
90° ROTATE

- △ MATERIAL, HOUSING, HIGH TEMP. PLASTIC, UL94V-0
CONTACT: COPPER ALLOY
LOCK LEVER: SUS301 TIN PLATING.
- △ FINISH; CONTACT AREA: 0.00025 MIN GOLD PLT ON
0.001 MIN ALL OVER NICKEL
SOLDERING AREA: 0.00005 MIN TO 0.00030 MAX GOLD PLATE
- 3. TOLERANCES NON-ACCUMULATIVE.
- △ DIMENSIONING TO MODULE CENTER LINE.
- △ PART PACKAGING PER EIA-18-704 STANDARD REEL
DIAMETER SHALL BE 330mm. TAPE WIDTH SHALL
BE 88mm AND TAPE PITCH SHALL BE 36mm

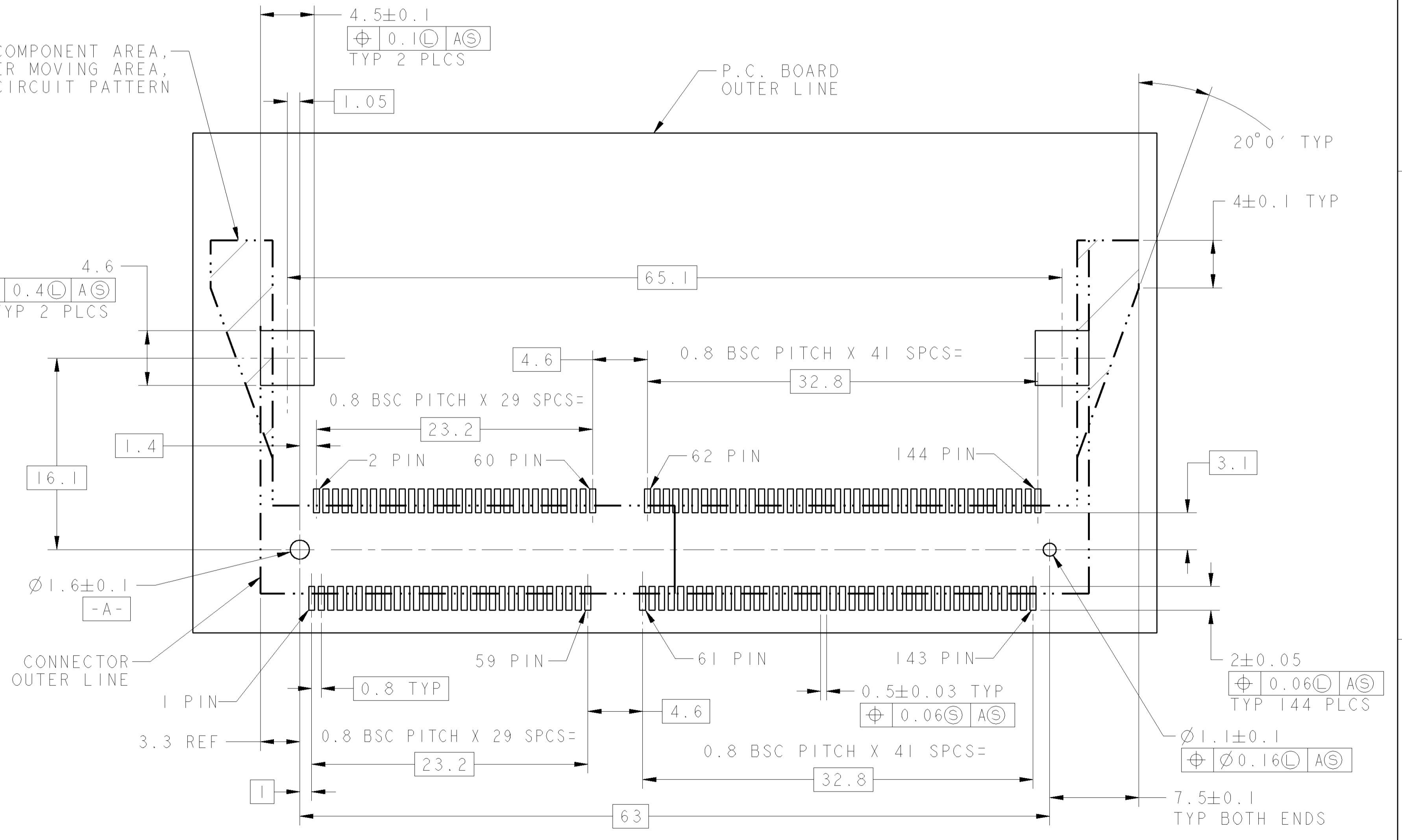
AVAILABLE	SDRAM 3.3V	144	6-390322-1	△ 5
AVAILABLE	SDRAM 3.3V	144	390322-1	
REMARKS	POWER SUPPLY	POS	PART NUMBER	

<small>THIS DRAWING IS A CONTROLLED DOCUMENT FOR AMP INCORPORATED. ALL CHANGES TO THIS DRAWING MUST BE APPROVED BY THE CONTROLLING ENGINEER. ORGANIZATION SHOULD BE CONTACTED FOR THE LATEST REVISION.</small>		DWN J. BURWELL 8NOV99 CBY K. KREIDLER 22JUL99 APD SE LEONG PRODUCT SPEC APPLICATION SPEC WEIGHT CUSTOMER DRAWING	AMP MANUFACTURING (SINGAPORE) PTE. LTD. AMP NAME S.O.DIM SOCKET ASSY, 0.8mm PITCH 144 POS., 8mm PROFILE FOR SDRAM TYPE MODULE SIZE A1 CAGE CODE 00779 DRAWING NO C=390322 SCALE 4:1
DIMENSIONS: mm 	TOLERANCES UNLESS OTHERWISE SPECIFIED: 0 PLC ± 1 PLC ±0.2 2 PLC ±0.2 3 PLC ±0.2 4 PLC ± ANGLES ±	DATE 8NOV99 DRAWN BY J. BURWELL CHECKED BY K. KREIDLER APPROVED BY SE LEONG PRODUCT SPEC APPLICATION SPEC WEIGHT CUSTOMER DRAWING	NAME S.O.DIM SOCKET ASSY, 0.8mm PITCH 144 POS., 8mm PROFILE FOR SDRAM TYPE MODULE SIZE A1 CAGE CODE 00779 DRAWING NO C=390322 SCALE 4:1

LOC	DIST	REV	DATE	BY	CHK	APPD
DY	-	-	-	-	-	-



NO COMPONENT AREA, LEVER MOVING AREA, ACCEPT CIRCUIT PATTERN



<small>THIS DRAWING IS A CONTROLLED DOCUMENT FOR AMP INCORPORATED. ALL DIMENSIONS ARE IN MILLIMETERS UNLESS OTHERWISE SPECIFIED. FOR THE LATEST REVISION, CONTACT THE DRAWING ENGINEER.</small>		DWN: J. BURWELL 01FEB01 CHK: K. KREIDLER 23JUL99 APPD: SE LEONG PRODUCT SPEC: - APPLICATION SPEC: - WEIGHT: - CUSTOMER DRAWING: -	AMP AMP MANUFACTURING (SINGAPORE) PTE. LTD.
DIMENSIONS: mm TOLERANCES UNLESS OTHERWISE SPECIFIED: 0 PLC ± 1 PLC ±0.2 2 PLC ±0.2 3 PLC ±0.2 4 PLC ± ANGLES ±	NAME: 3.0 DIMM SOCKET ASSY., 0.8mm PITCH 144 POS., 8mm PROFILE FOR SDRAM TYPE MODULE SIZE: A1 CAGE CODE: 00779 DRAWING NO: C=390322 SCALE: 4:1 SHEET: 2 OF 2 REV: K		