



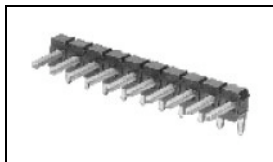
**Have a Question?**  
 Chat with a Product  
 Information Specialist

What can we help you find?

[Products](#) | 
 [Industries](#) | 
 [Resources](#) | 
 [About TE](#) | 
 [My Account](#) | 
 [Innovation](#) | 
 [Support Center](#)

## 4-103323-0 Product Details

[Share](#) | 
 [Print](#) | 
 [Email](#)



**4-103323-0**

TE Internal Number: 4-103323-0

Active

### .100 inch AMPMODU Headers

Not EU RoHS or ELV Compliant (Find RoHS Compliant Alternates)

#### Product Highlights:

- Connector
- Header Type = Breakaway
- 40 Positions
- Mating Post Length = 8.08 mm
- Row-to-Row Spacing = 2.54 mm

[View all Features](#)

#### Quick Links

- ▶ [Pricing & Availability](#)
- ▶ [Search for Tooling](#)
- ▶ [Product Feature Selector](#)
- ▶ [Contact Us About This Product](#)

[View 3D PDF](#)

[Add to My Part List](#)

[Request Sample](#)

[Find Similar Products](#)

[Buy Product](#)

### Documentation & Additional Information

#### Product Drawings:

- [HEADER ASSY, MOD II, BREAKAWAY, SINGLE ROW, .100 , R...](#) (PDF, English)

#### Catalog Pages/Data Sheets:

- None Available

#### Product Specifications:

- None Available

#### Application Specifications:

- None Available

#### Instruction Sheets:

- None Available

#### CAD Files: (CAD Format & Compression Information)

- [2D Drawing](#) (DXF, Version K)
- [3D Model](#) (IGES, Version K)
- [3D Model](#) (STEP, Version K)

[List all Documents](#)

#### Additional Information:

- [Product Line Information](#)

#### Related Products:

- [Tooling](#)

### Product Features (Please use the Product Drawing for all design activity)

#### Product Type Features:

- Product Type = Connector
- [Mount Angle](#) = Right Angle
- [PCB Mount Retention](#) = Without
- [Board Standoff](#) = Without
- [Mating Connector Lock](#) = Without
- Post Size (mm [in]) = 0.64 [.025]

#### Mechanical Attachment:

- [Mounting Ears](#) = Without
- [Panel Mount Retention](#) = Without

#### Electrical Characteristics:

- Current Rating (A) = 3
- Insulation Resistance (MΩ) = 5,000
- Dielectric Withstanding Voltage (V) = 750

#### Termination Features:

- [Termination Post Length](#) (mm [in]) = 2.79 [0.110]

#### Dimensions:

- Mating Post Length (mm [in]) = 8.08 [0.318]

#### Body Features:

- [Header Type](#) = Breakaway
- Row-to-Row Spacing (mm [in]) = 2.54 [0.100]
- [Selectively Loaded](#) = No
- [Mount Type](#) = Printed Circuit Board

#### Housing Features:

- Housing Material = Thermoplastic - GF

#### Configuration Features:

- [Number of Positions](#) = 40
- [Number of Rows](#) = 1
- [Surface Mount Compatible](#) = No

#### Industry Standards:

- [RoHS/ELV Compliance](#) = Not ELV/RoHS compliant
- [Lead Free Solder Processes](#) = Wave solder capable to 240°C
- UL Flammability Rating = UL 94V-0
- Approved Standards = CSA LR7189, UL E28476

#### Environmental:

- Operating Temperature (°C) = -65 - +105

#### Conditions for Usage:

- [High Temperature Housing](#) = No

#### Operation/Application:

- [High Speed Serial Data Connector](#) = No

#### Other:

- Brand = AMP
- Comment = Headers may be broken to desired number of positions using Hand Tool No. 91406-1, or Tool Kit No. 314818-1. Other tail lengths are available, consult Tyco Electronics.

**Contact Features:**

- [Contact Plating](#), [Mating Area](#), [Material](#) = Tin-Lead
- Solder Tail Contact Plating = Tin-Lead over Nickel
- Contact Shape = Square
- Contact Base Material = Phosphor Bronze

---

**Corporate Information**

- [About TE](#)
- [Investors](#)
- [News Room](#)
- [Supplier Portal](#)
- [Careers](#)
- [Terms & Conditions](#)
- [Privacy Policy](#)
- [AODA Accessibility Policy](#)
- [AODA Multi-Year Accessibility Plan](#)

**Quick Links**

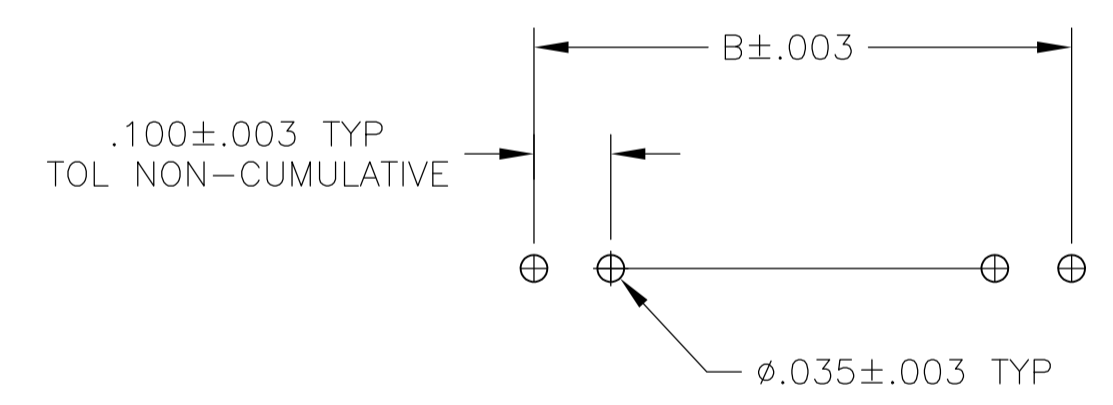
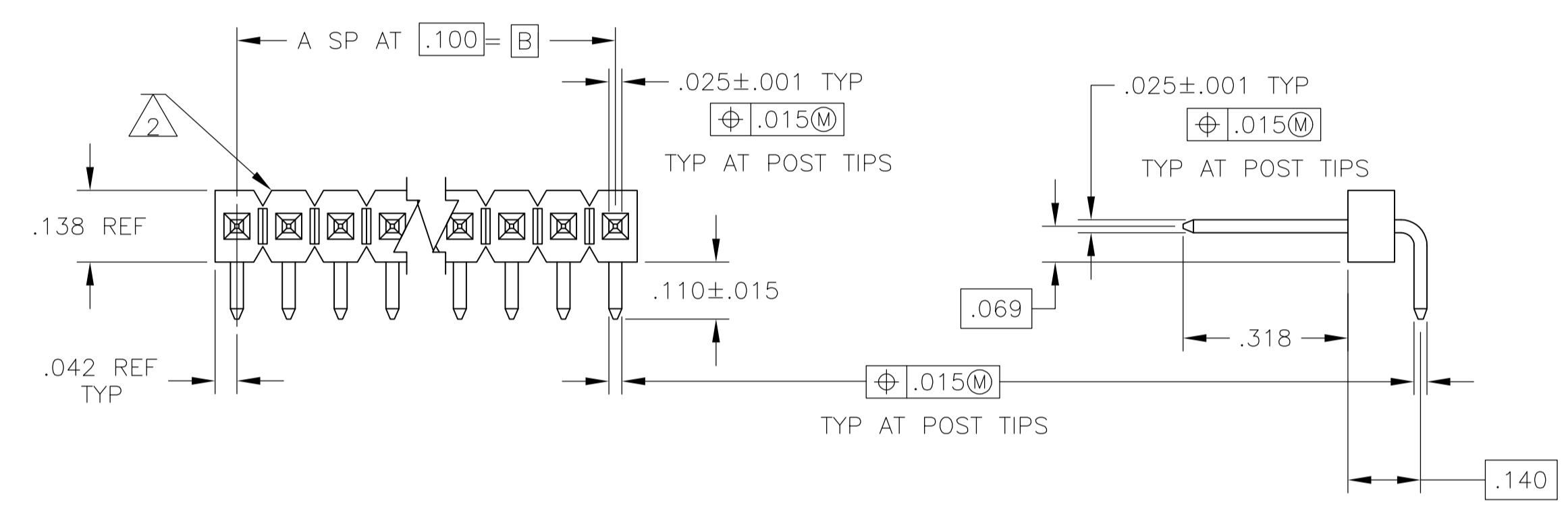
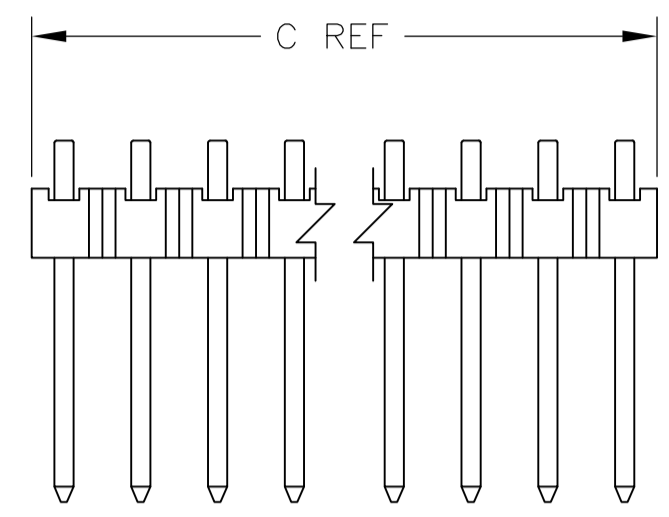
- [Distributor Inventory](#)
- [Product Cross Reference](#)
- [Documents & Drawings](#)
- [Product Compliance Support Center](#)
- [Site Map](#)

**Customer Support**

- [Email or Chat With Us](#)
- [Find a Phone Number](#)
- [Knowledge Base](#)
- [Manage Your Account](#)

**Keep Me Informed**





RECOMMENDED HOLE LAYOUT

- ASSEMBLY MAY BE BROKEN TO THE DESIRED NUMBER OF POSITIONS.
- BREAKAWAY NOTCH ANGLE CAN BE ORIENTED TO THE RIGHT (AS SHOWN) OR TO THE LEFT
- .000100-.000200 MATTE TIN-LEAD OVER .000050 NICKEL.
- .000100-.000200 BRIGHT TIN OVER .000050 NICKEL.
- PRELIMINARY PART - NOT RELEASED FOR PRODUCTION.
- HOUSING MATERIAL: FLAME RETARDANT THERMOPLASTIC; COLOR-BLACK. POSTS: PHOS BRONZE
- .000100-.000200 MATTE TIN OVER .000050 NICKEL.
- OBSOLETE PARTS: OBSOLETE CIS STREAMLINING PER D.RENAUD/D.SINISI

OBSOLETE	3.984	3.900	39	40	9-103323-0
OBSOLETE	3.884	3.800	38	39	8-103328-9
OBSOLETE	3.784	3.700	37	38	8-103328-8
OBSOLETE	3.684	3.600	36	37	8-103328-7
OBSOLETE	3.584	3.500	35	36	8-103328-6
OBSOLETE	3.484	3.400	34	35	8-103328-5
OBSOLETE	3.384	3.300	33	34	8-103328-4
OBSOLETE	3.284	3.200	32	33	8-103328-3
OBSOLETE	3.184	3.100	31	32	8-103328-2
OBSOLETE	3.084	3.000	30	31	8-103328-1
OBSOLETE	2.984	2.900	29	30	8-103328-0
OBSOLETE	2.884	2.800	28	29	7-103323-9
OBSOLETE	2.784	2.700	27	28	7-103323-8
OBSOLETE	2.684	2.600	26	27	7-103323-7
OBSOLETE	2.584	2.500	25	26	7-103323-6
OBSOLETE	2.484	2.400	24	25	7-103323-5
OBSOLETE	2.384	2.300	23	24	7-103323-4
OBSOLETE	2.284	2.200	22	23	7-103323-3
OBSOLETE	2.184	2.100	21	22	7-103323-2
OBSOLETE	2.084	2.000	20	21	7-103323-1
OBSOLETE	1.984	1.900	19	20	7-103323-0
OBSOLETE	1.884	1.800	18	19	6-103323-9
OBSOLETE	1.784	1.700	17	18	6-103323-8
OBSOLETE	1.684	1.600	16	17	6-103323-7
OBSOLETE	1.584	1.500	15	16	6-103323-6
OBSOLETE	1.484	1.400	14	15	6-103323-5
OBSOLETE	1.384	1.300	13	14	6-103323-4
OBSOLETE	1.284	1.200	12	13	6-103323-3
OBSOLETE	1.184	1.100	11	12	6-103323-2
OBSOLETE	1.084	1.000	10	11	6-103323-1
OBSOLETE	.984	.900	9	10	6-103323-0
OBSOLETE	.884	.800	8	9	5-103323-9
OBSOLETE	.784	.700	7	8	5-103323-8
OBSOLETE	.684	.600	6	7	5-103323-7
OBSOLETE	.584	.500	5	6	5-103323-6
OBSOLETE	.484	.400	4	5	5-103323-5
OBSOLETE	.384	.300	3	4	5-103323-4
OBSOLETE	.284	.200	2	3	5-103323-3
OBSOLETE	.184	.100	1	2	5-103323-2
OBSOLETE	.084	—	—	1	5-103323-1

OBSOLETE	3.984	3.900	39	40	4-103323-2
OBSOLETE	3.884	3.800	38	39	4-103323-1
OBSOLETE	3.784	3.700	37	38	3-103323-9
OBSOLETE	3.684	3.600	36	37	3-103323-8
OBSOLETE	3.584	3.500	35	36	3-103323-7
SUPERSEDED	3.484	3.400	34	35	3-103323-6
OBSOLETE	3.384	3.300	33	34	3-103323-5
OBSOLETE	3.284	3.200	32	33	3-103323-4
OBSOLETE	3.184	3.100	31	32	3-103323-3
OBSOLETE	3.084	3.000	30	31	3-103323-2
OBSOLETE	2.984	2.900	29	30	3-103323-1
OBSOLETE	2.884	2.800	28	29	2-103323-9
OBSOLETE	2.784	2.700	27	28	2-103323-8
OBSOLETE	2.684	2.600	26	27	2-103323-7
OBSOLETE	2.584	2.500	25	26	2-103323-6
OBSOLETE	2.484	2.400	24	25	2-103323-5
OBSOLETE	2.384	2.300	23	24	2-103323-4
OBSOLETE	2.284	2.200	22	23	2-103323-3
OBSOLETE	2.184	2.100	21	22	2-103323-2
OBSOLETE	2.084	2.000	20	21	2-103323-1
OBSOLETE	1.984	1.900	19	20	2-103323-0
OBSOLETE	1.884	1.800	18	19	1-103323-9
OBSOLETE	1.784	1.700	17	18	1-103323-8
OBSOLETE	1.684	1.600	16	17	1-103323-7
OBSOLETE	1.584	1.500	15	16	1-103323-6
OBSOLETE	1.484	1.400	14	15	1-103323-5
OBSOLETE	1.384	1.300	13	14	1-103323-4
OBSOLETE	1.284	1.200	12	13	1-103323-3
OBSOLETE	1.184	1.100	11	12	1-103323-2
OBSOLETE	1.084	1.000	10	11	1-103323-1
OBSOLETE	.984	.900	9	10	1-103323-0
OBSOLETE	.884	.800	8	9	103323-9
OBSOLETE	.784	.700	7	8	103323-8
OBSOLETE	.684	.600	6	7	103323-7
OBSOLETE	.584	.500	5	6	103323-6
OBSOLETE	.484	.400	4	5	103323-5
OBSOLETE	.384	.300	3	4	103323-4
OBSOLETE	.284	.200	2	3	103323-3
OBSOLETE	.184	.100	1	2	103323-2
OBSOLETE	.084	—	—	1	103323-1

PLATING	C	B	A	NO OF POSN	PART NUMBER
---------	---	---	---	------------	-------------

PLATING	C	B	A	NO OF POSN	PART NUMBER
---------	---	---	---	------------	-------------

THIS DRAWING IS A CONTROLLED DOCUMENT.

DIN J.MARTINELLI 16OCT92  
 CHK JOHN KNITTLE 23NOV92  
 APVD B. FLINCHBAUGH 23NOV92 NAME

TE Connectivity

HEADER ASSY, MOD II, BREAKAWAY, SINGLE ROW, .100, RIGHT ANGLE, WITH .025 SQUARE POSTS

APPLICATION SPEC

SIZE CAGE CODE DRAWING NO RESTRICTED TO  
 A1 00779 103323

WEIGHT —

CUSTOMER DRAWING SCALE 4:1 SHEET 1 OF 1 REV K3