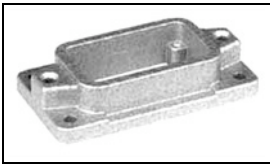


4-1102760-5 Product Details

[Share](#) [Print](#) [Email](#)



4-1102760-5

TE Internal Number: 4-1102760-5

Active

[View 3D PDF](#)

HTS Connectors and Accessories

Converted to EU RoHS/ELV Compliant
(Statement of Compliance)

Product Highlights:

- EMV-K Series
- Housing
- Product Size = 8
- Locking Device Type = Screw Lock on Hood
- Bottom Entry Style

[View all Features](#)

Quick Links

- ▶ [Pricing & Availability](#)
- ▶ [Search for Tooling](#)
- ▶ [Product Feature Selector](#)
- ▶ [Contact Us About This Product](#)

[Add to My Part List](#) [Request Sample](#) [Find Similar Products](#) [Buy Product](#)

Documentation & Additional Information

Product Drawings:

- [Surface mounted housing bottom entry EMV Anbauegahaue... \(PDF, English\)](#)

Catalog Pages/Data Sheets:

- [HTS Heavy Duty Connectors catalogue \(PDF, English\)](#)

Product Specifications:

- None Available

Application Specifications:

- None Available

Instruction Sheets:

- None Available

CAD Files: [\(CAD Format & Compression Information\)](#)

- [2D Drawing \(DXF, Version A\)](#)
- [3D Model \(IGES, Version A\)](#)
- [3D Model \(STEP, Version A\)](#)

[List all Documents](#)

Additional Information:

- [Product Line Information](#)

Related Products:

- [Tooling](#)

Product Features (Please use the Product Drawing for all design activity)

Product Type Features:

- Product Type = Housing
- Product Size = 8
- [Thread Size](#) = None
- Finish = Black

Body Features:

- Entry Style = Bottom
- Dimensions (L x H x W) (mm [in]) = 156.00 x 22.00 x 56.00 [6.142 x .866 x 2.205]
- Material = Die Cast Aluminum

Contact Features:

- Corrosion Protected = Yes

Configuration Features:

- Locking Device Type = Screw Lock on Hood

Industry Standards:

- [RoHS/ELV Compliance](#) = RoHS compliant, ELV compliant
- [Lead Free Solder Processes](#) = Not relevant for lead free process
- RoHS/ELV Compliance History = Converted to comply with RoHS directive

Packaging Features:

- Packaging Method = Loose Piece
- Packaging Quantity = 5

Other:

- Series = EMV-K
- Brand = HTS
- Comment = Protection against electro-magnetic interference, pressure-tight

Corporate Information

- [About TE](#)
- [Investors](#)
- [News Room](#)
- [Supplier Portal](#)
- [Careers](#)
- [Terms & Conditions](#)
- [Privacy Policy](#)

Quick Links

- [Distributor Inventory](#)
- [Product Cross Reference](#)
- [Documents & Drawings](#)
- [Product Compliance Support Center](#)
- [Site Map](#)

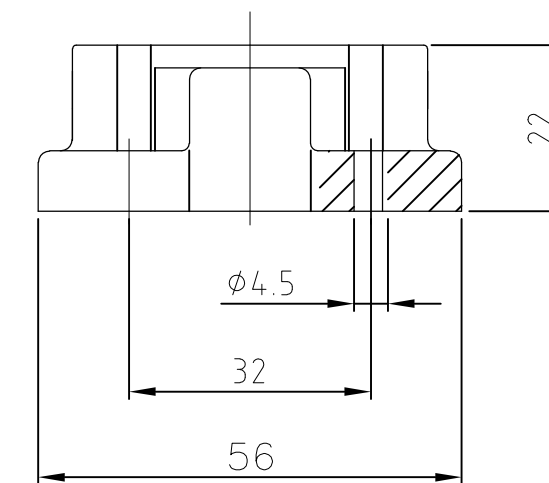
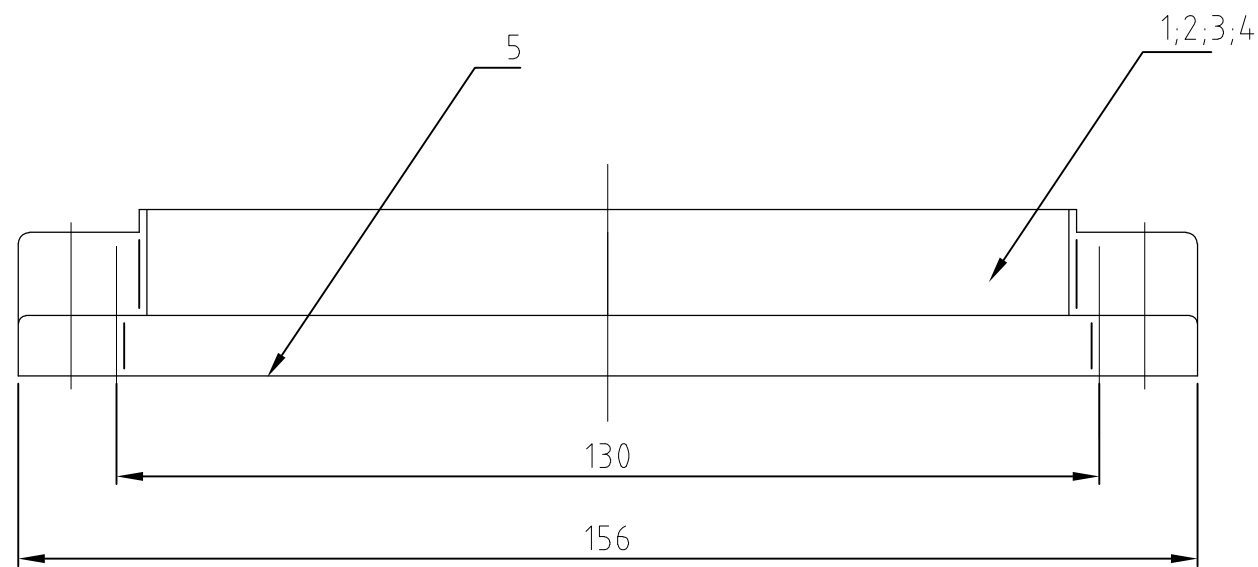
Customer Support

- [Email or Chat With Us](#)
- [Find a Phone Number](#)
- [Knowledge Base](#)
- [Manage Your Account](#)

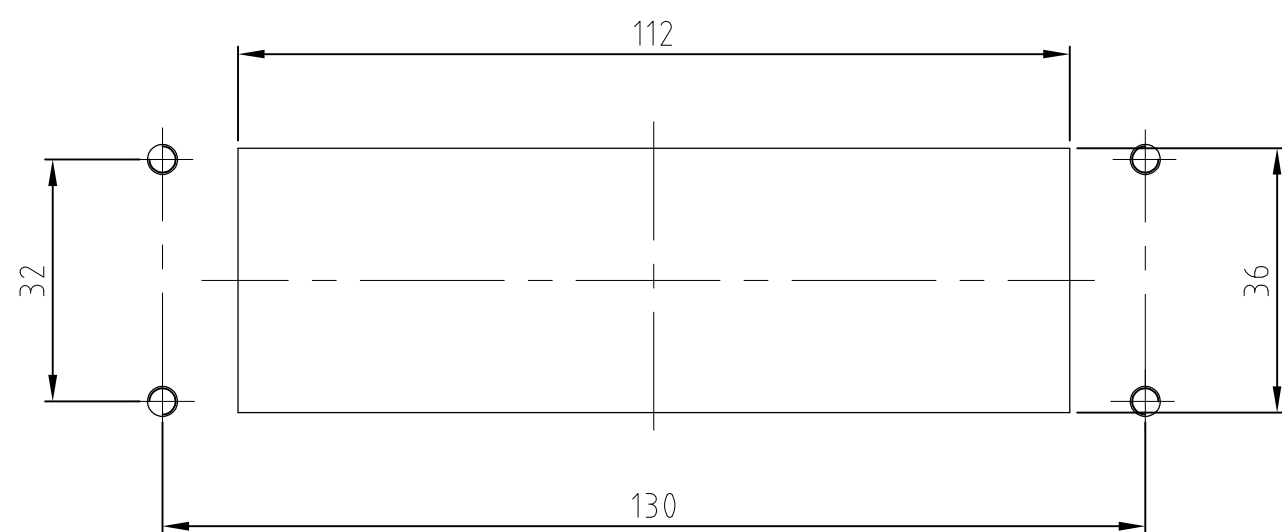
Keep Me Informed

THIS DRAWING IS UNPUBLISHED. RELEASED FOR PUBLICATION
 © COPYRIGHT BY TYCO ELECTRONICS CORPORATION. ALL INTERNATIONAL RIGHTS RESERVED.

LOC		DIST		REVISIONS			
P	LTR	DESCRIPTION	DATE	DWN	APVD		
A3		new index ECR-08-001603	11.03.02	SR	SM		
A4		REVISED PER ECO-11-002591	15FEB11	HMR	MM		



Panel Cut Out



- Notes:
- ① Material: Housing: aluminium diecasting alloy
Seals: Neoprene conductive
 - ② Surface: Varnisch- grey
yellow chromium plated +
Varnisch black
 - ③ Varnisch on the inside not necessarily

- Bemerkungen:
- ① Material: Gehäuse: Alu-Druckguß-Legierung
Dichtungen: Neoprene leitfähig
 - ② Oberfläche: Lackierung - grau
gelb chromatiert +
Lackierung schwarz
 - ③ Lackierung im Gehäuseinnere ist nicht notwendig

QTY	DESCRIPTION / BENENNUNG	MATERIAL	SURFACE/OBERFLÄCHE	COLOR/FARBE	ITEM NO.	REMARKS / BEMERKUNGEN
1	O-Ring Bg8	Neoprene	-	black/schwarz	5	Conductive
1	Bulkhead housing EMV-K Bg8	Aluminium/Alu	yellow chromated	black/schwarz	4	
-	Bulkhead housing EMV Bg8	Aluminium/Alu	-	grey/grau	3	
-	Bulkhead housing EMV Bg8	Aluminium/Alu	-	unvarnished	2	
-	Bulkhead housing EMV Bg8	Aluminium/Alu	-	white aluminum	1	

EMV-K24/64-AG EMV-24/64-AG EMV-24/64-AG EMV-24/64-AG	ORDERING TEXT/BESTELLTEXT	THIS DRAWING IS A CONTROLLED DOCUMENT.		DWN	Schneider	01.08.2000	Tyco Electronics Corporation Harrisburg, Pa 17105-3608				
		DIMENSIONS: mm		CHK	Schweiger	01.08.2000		NAME			
		TOLERANCES UNLESS OTHERWISE SPECIFIED: n. ISO 2768 - mH - E DIN 16901 - 140		APVD	-	PRODUCT SPEC		-	Surface mounted housing bottom entry EMV Anbaugehäuse EMV.24/64-AG		
		MATERIAL		APPLICATION SPEC	-	SIZE		A2	CAGE CODE	00779	DRAWING NO
FINISH		WEIGHT	-	CUSTOMER DRAWING	SCALE	1:1	SHEET	1 of 1	REV	A4	