

Distributed by:

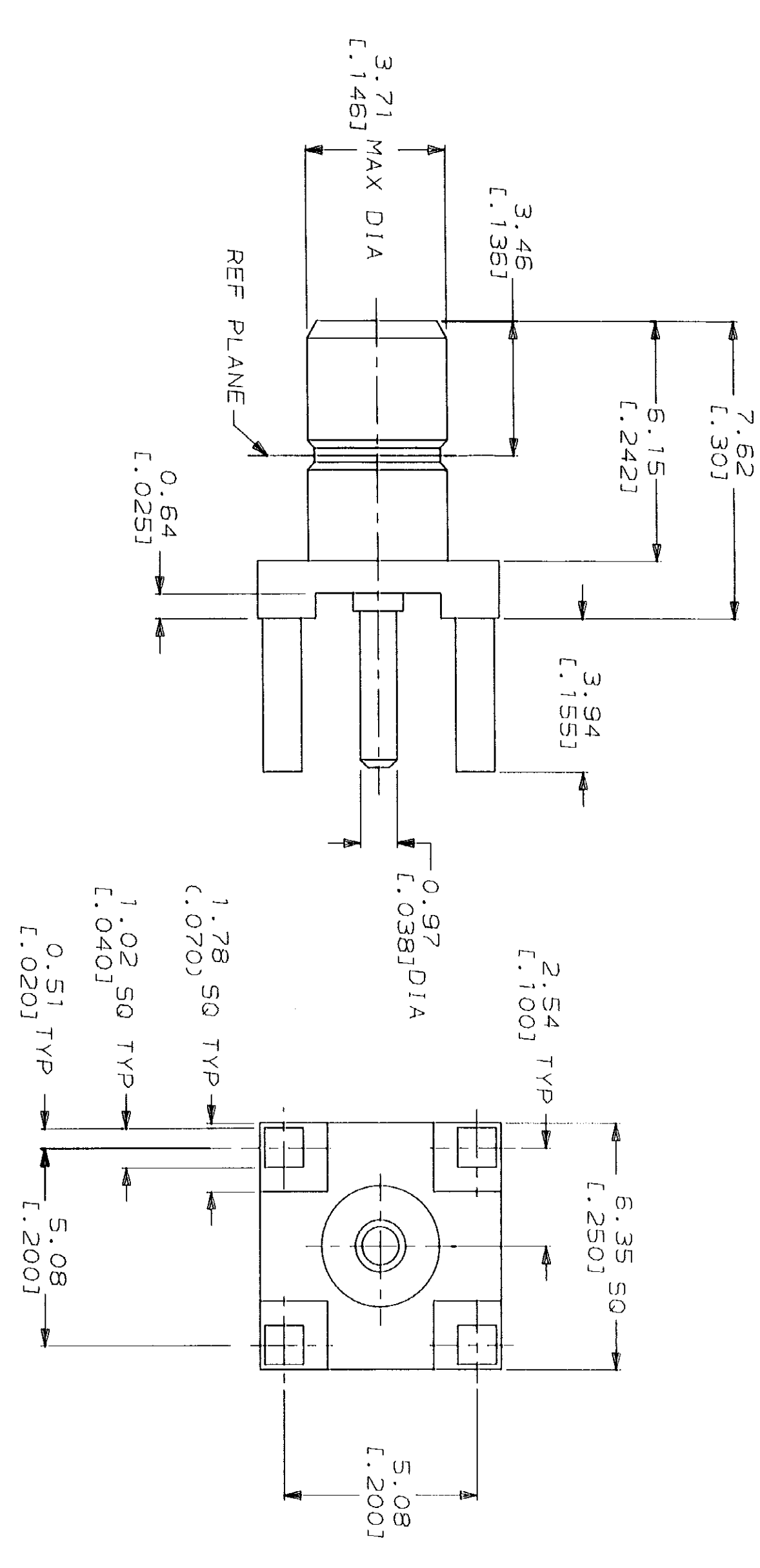
**JAMECO**<sup>®</sup>  
ELECTRONICS

**www.Jameco.com ♦ 1-800-831-4242**

The content and copyrights of the attached  
material are the property of its owner.

Jameco Part Number 848440

REV	DATE	APPD
A	10/17/90	KH
B	10/29/90	KH
C	12/10/90	KH
D	2/15/90	KH



- 1. MATERIALS:  
 BODY... BRASS  
 CONTACT... BRASS  
 DIELECTRIC... TEFLON
- 2. FINISH:  
 BODY AND CENTER CONTACT...  
 GOLD PER MIL-G-45204 OVER  
 NICKEL PER QQ-N-290.
- 3. FINISH:  
 BODY... NICKEL  
 PER QQ-N-290 OVER  
 COPPER PER MIL-C-14550.
- 4. FINISH:  
 CENTER CONTACT... GOLD  
 PER MIL-G-45204 OVER  
 NICKEL PER QQ-N-290.
- 5. INTERFACE PER MIL-C-39012.

6	413990-3
3	413990-2
2	413990-1
NOTES	ASSY NO

DO NOT SCALE PRINT. UNLESS SPECIFIED (INCHES) DIMENSIONS IN mm (INCHES) TOLERANCES ON: 2 PLC DEC ± .25 3 PLC DEC ± .130 ANGLES ±	DR OK J. McLEOD 9/27/90	9/27/90	AMP AMP Incorporated Harrisburg, PA 17105-3608
MATERIAL	APPD J. McLEOD 9/28/90	12/10/90	JACK, RCPT, STR, SMB/PCB
FINISH	APPD K. HELBIG PRODUCT SPEC		
SEE NOTES	APPLICATION SPEC		
SEE NOTES	WEIGHT		

**METRIC**

SIZE	CAGE CODE	DRAWING NO
SCALE	00779	413990
8:1		1 OF 1

CUSTOMER DRAWING