

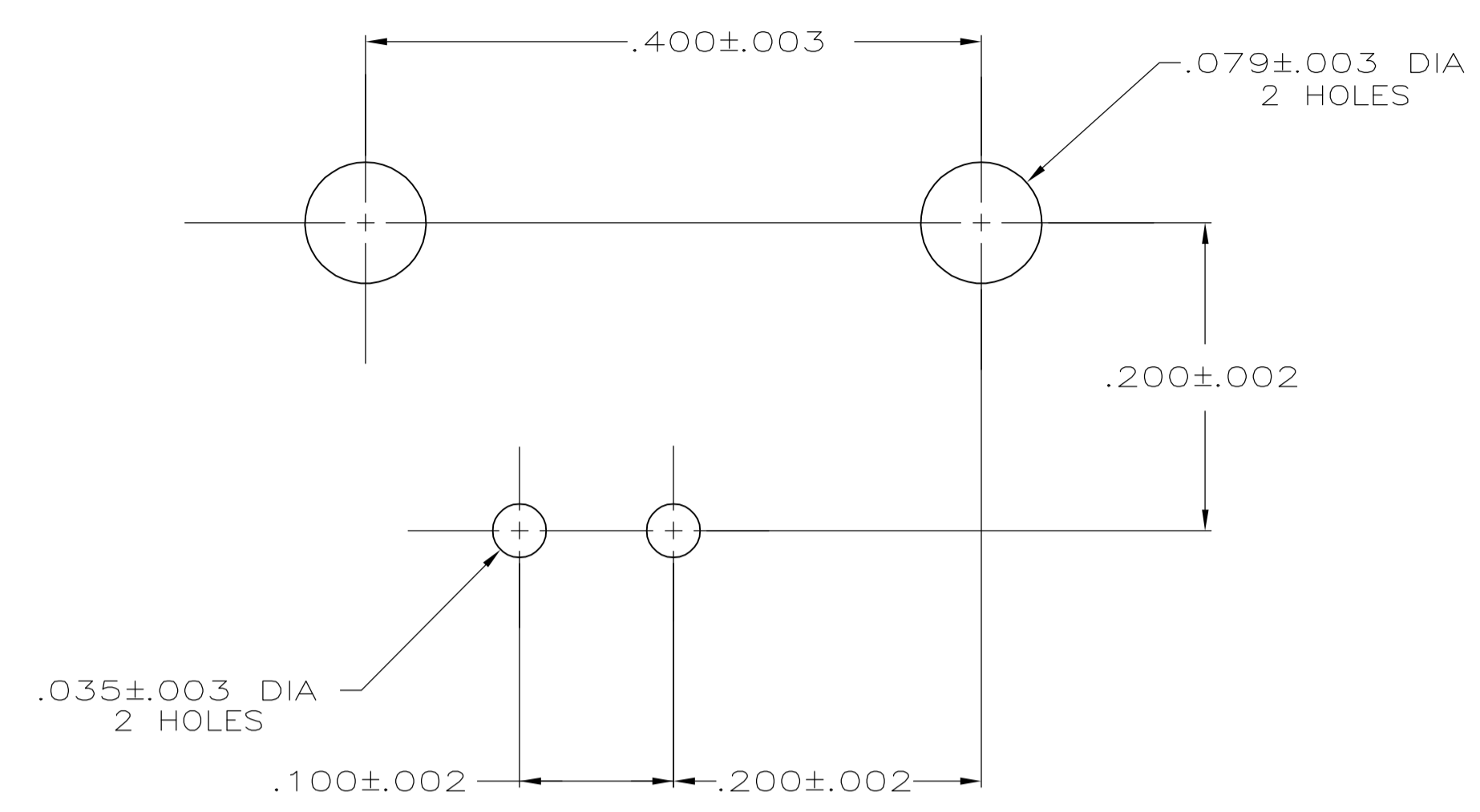
Distributed by:

JAMECO[®]
ELECTRONICS

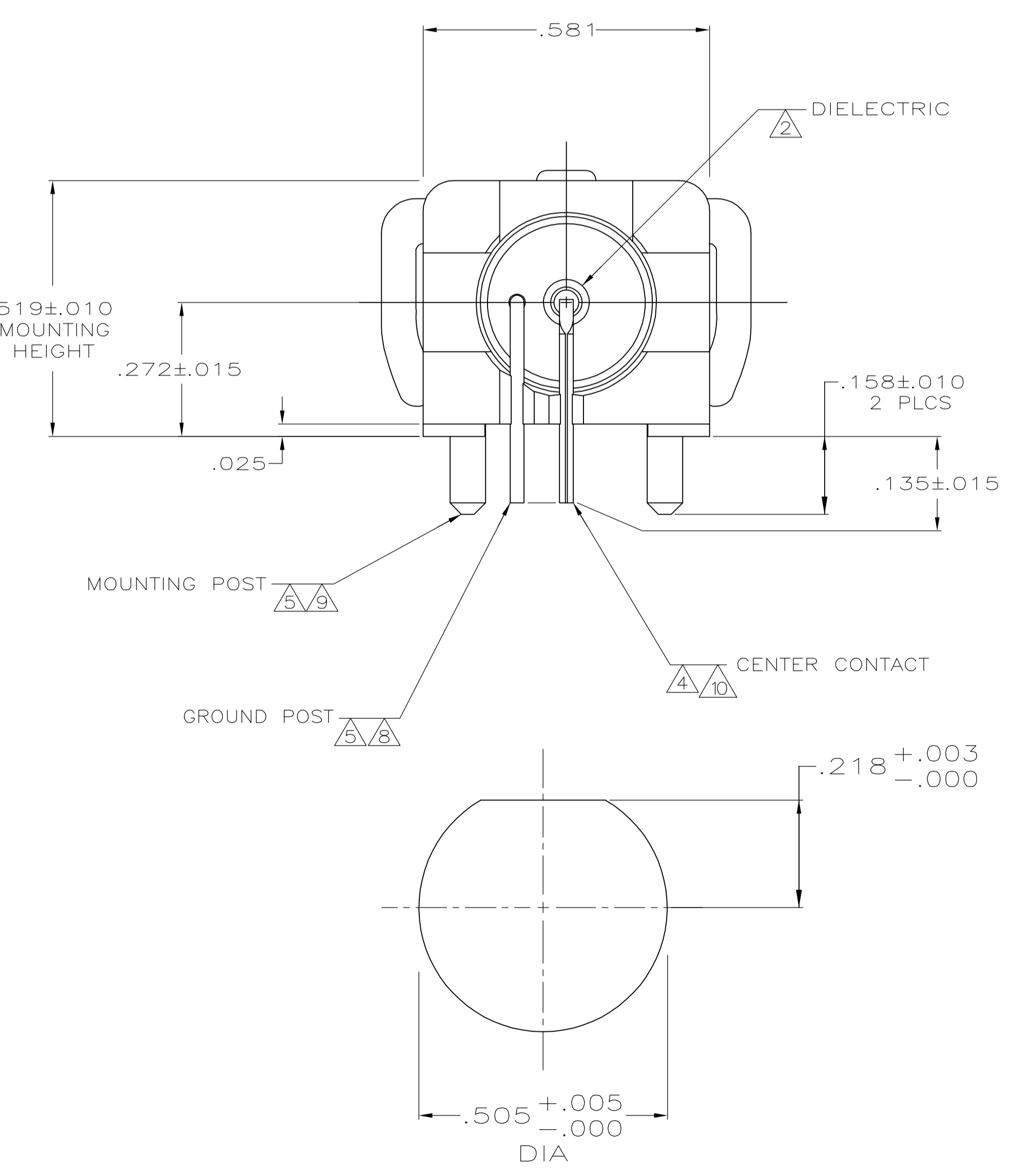
www.Jameco.com ♦ 1-800-831-4242

The content and copyrights of the attached
material are the property of its owner.

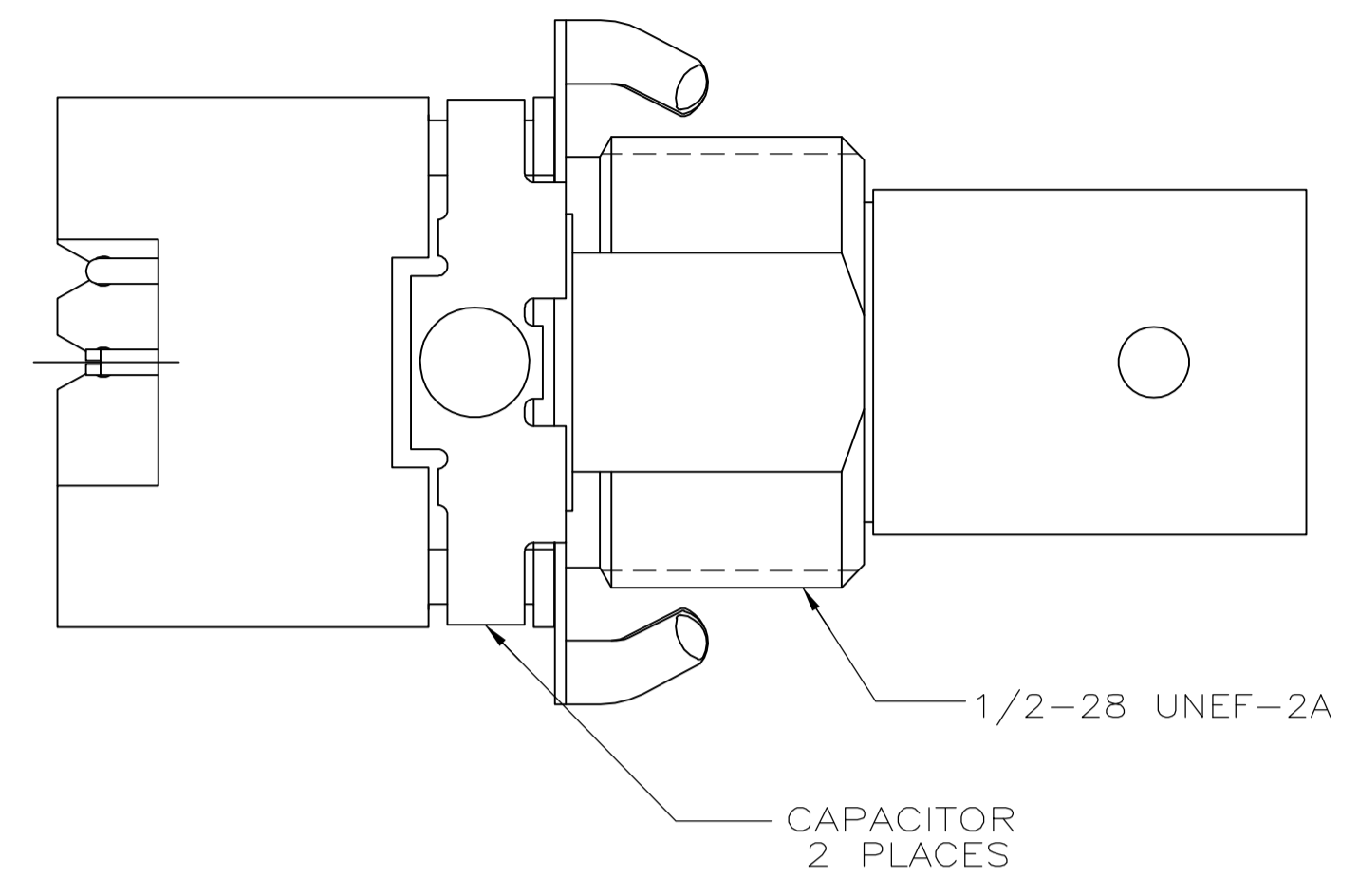
Jameco Part Number 848474



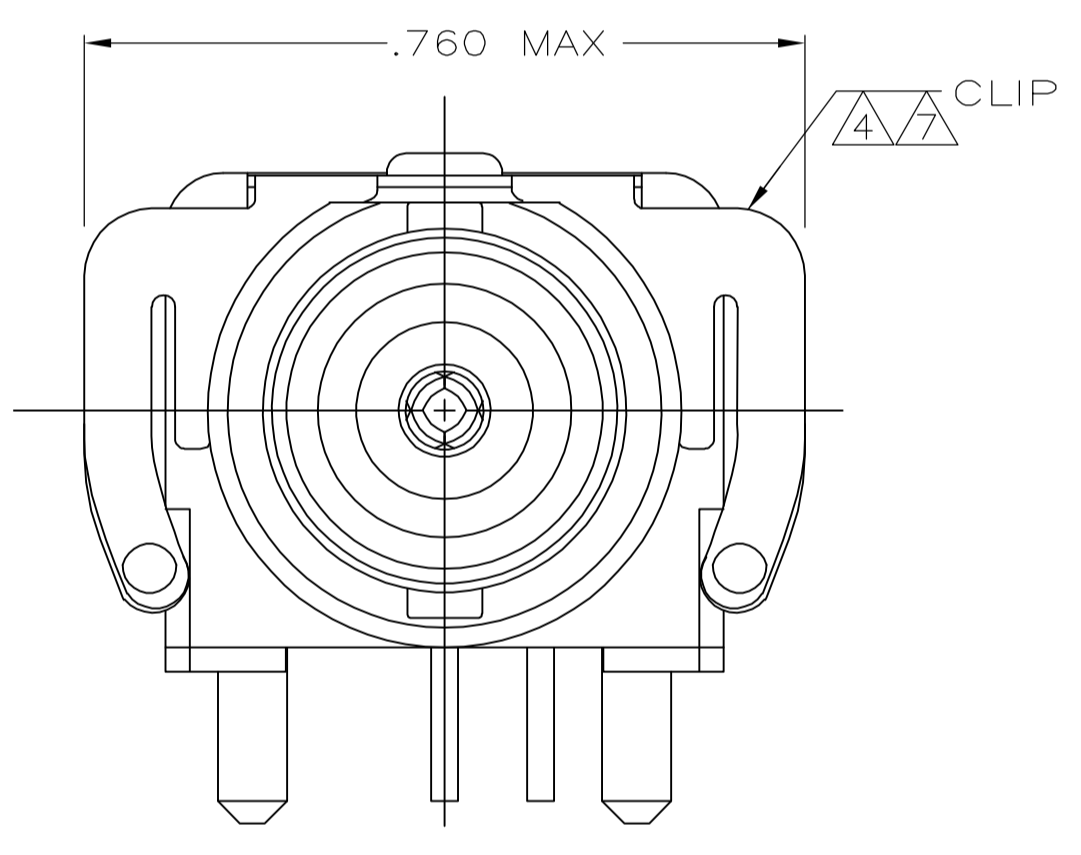
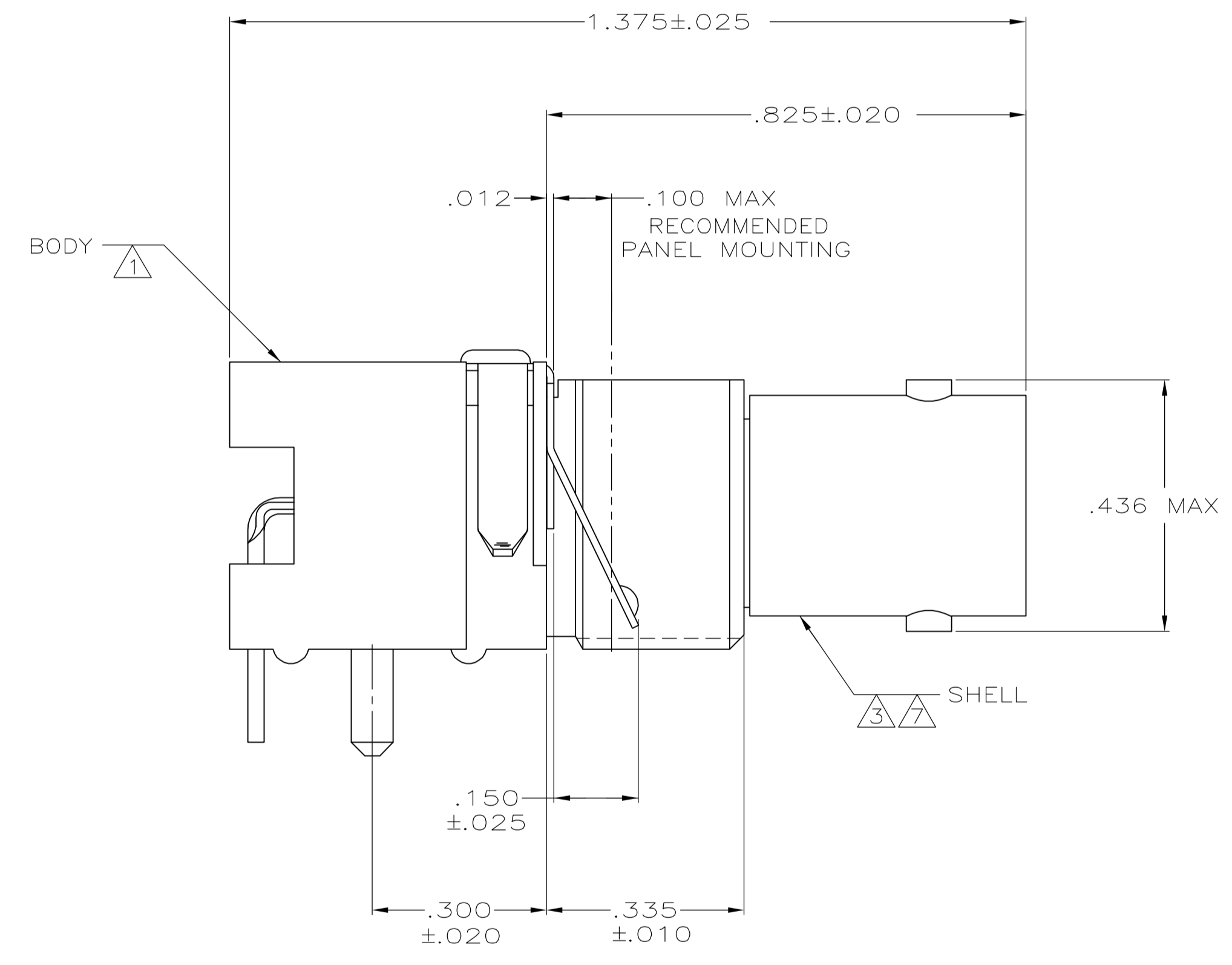
P.C.B. CONFIGURATION
SCALE=10:1



RECOMMENDED
PANEL CUTOUT



- 1 POLYESTER,PBT,BLACK,PER MIL-M-24519
- 2 POLYMETHYLPENTENE GENERAL PURPOSE
- 3 ZINC PER QQ-Z-363
- 4 PHOSPHOR BRONZE PER QQ-B-750
- 5 BRASS PER QQ-B-626
- 6 BRASS PER ASTM-B-453
- 7 NICKEL PL PER QQ-N-290
- 8 TIN PLATE PER ASTM-B-545
- 9 TIN PLATE PER ASTM-B-545
- 10 SELECTIVELY GOLD PLATED ON INTERFACE AREA PER: MIL-G-45204, .000030 THK,TIN PLATE ON SOLDER TAIL PER: ASTM-B-545, ALL OVER NICKEL PL PER: QQ-N-290



SUPERSEDED BY 414094-2	9400 pf, 1500 VDC	414094-2
	9400 pf, 500 VDC	414094-1
CAPACITANCE & VOLTAGE		PART NUMBER

THIS DRAWING IS A CONTROLLED DOCUMENT.		DWN M. SNEED 2-18-91	Tyco Electronics Corporation Harrisburg, PA 17105-3608
DIMENSIONS: INCHES		CHK R. HENRY 2-18-91	
TOLERANCES UNLESS OTHERWISE SPECIFIED:		APVD R. HENRY 2-18-91	NAME JACK, DECOUPLER, PCB, LOW PROFILE, 75 OHM, RIGHT ANGLE, SERIES BNC
0 PLC ± -		PRODUCT SPEC 108-1269	
1 PLC ± -		APPLICATION SPEC	SIZE A1
2 PLC ± -		WEIGHT	CAGE CODE 00779
3 PLC ± .008		CUSTOMER DRAWING	DRAWING NO 414094
4 PLC ± -		SCALE 5:1	RESTRICTED TO
ANGLES ± -		SHEET 1 OF 1	REV J