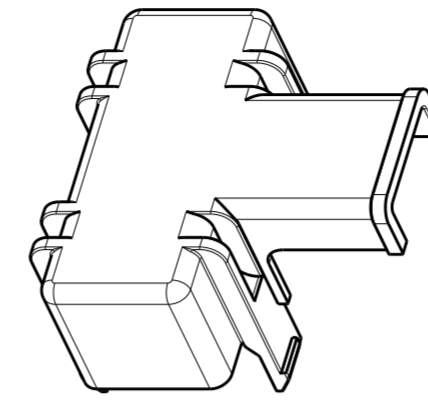
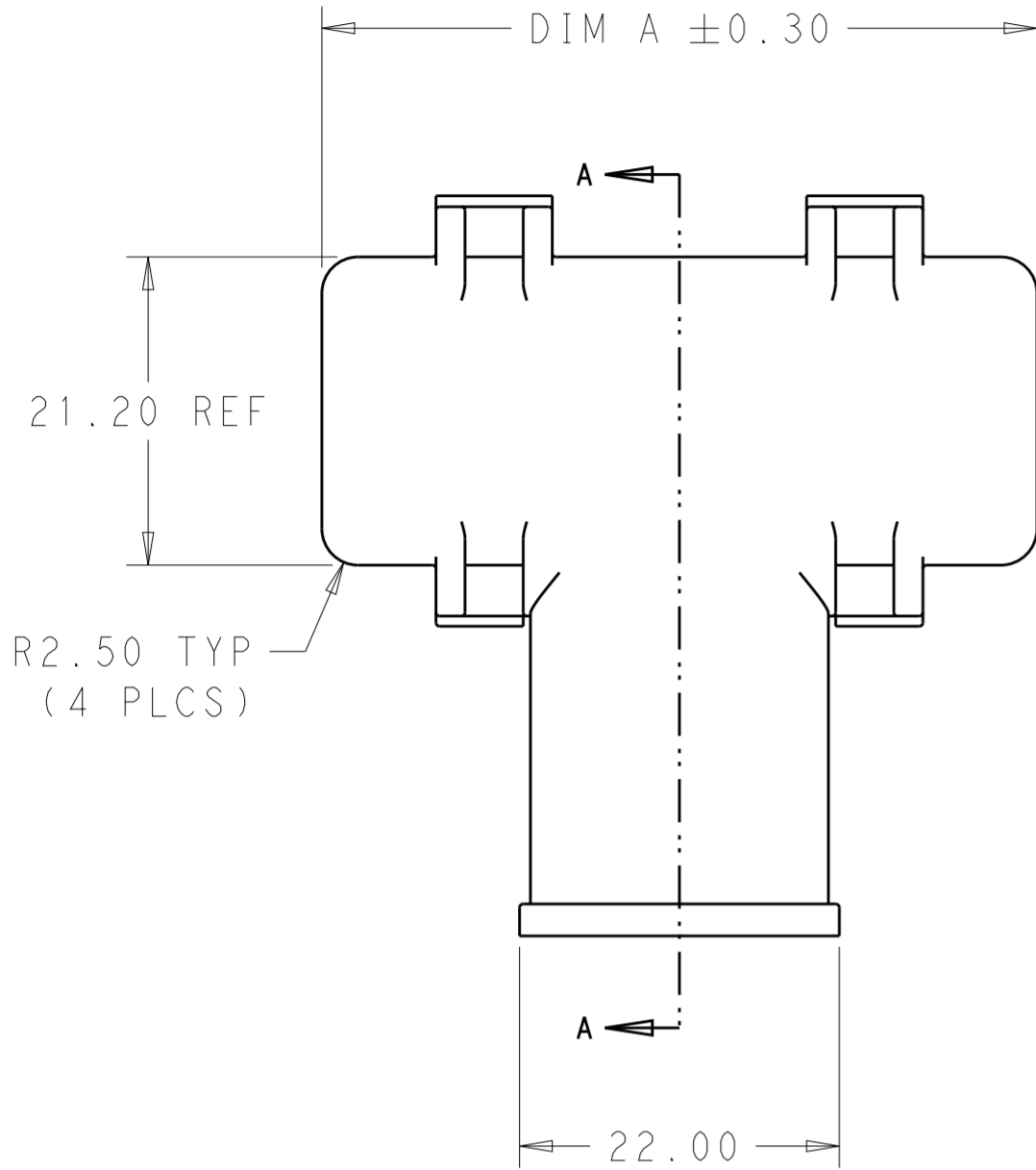


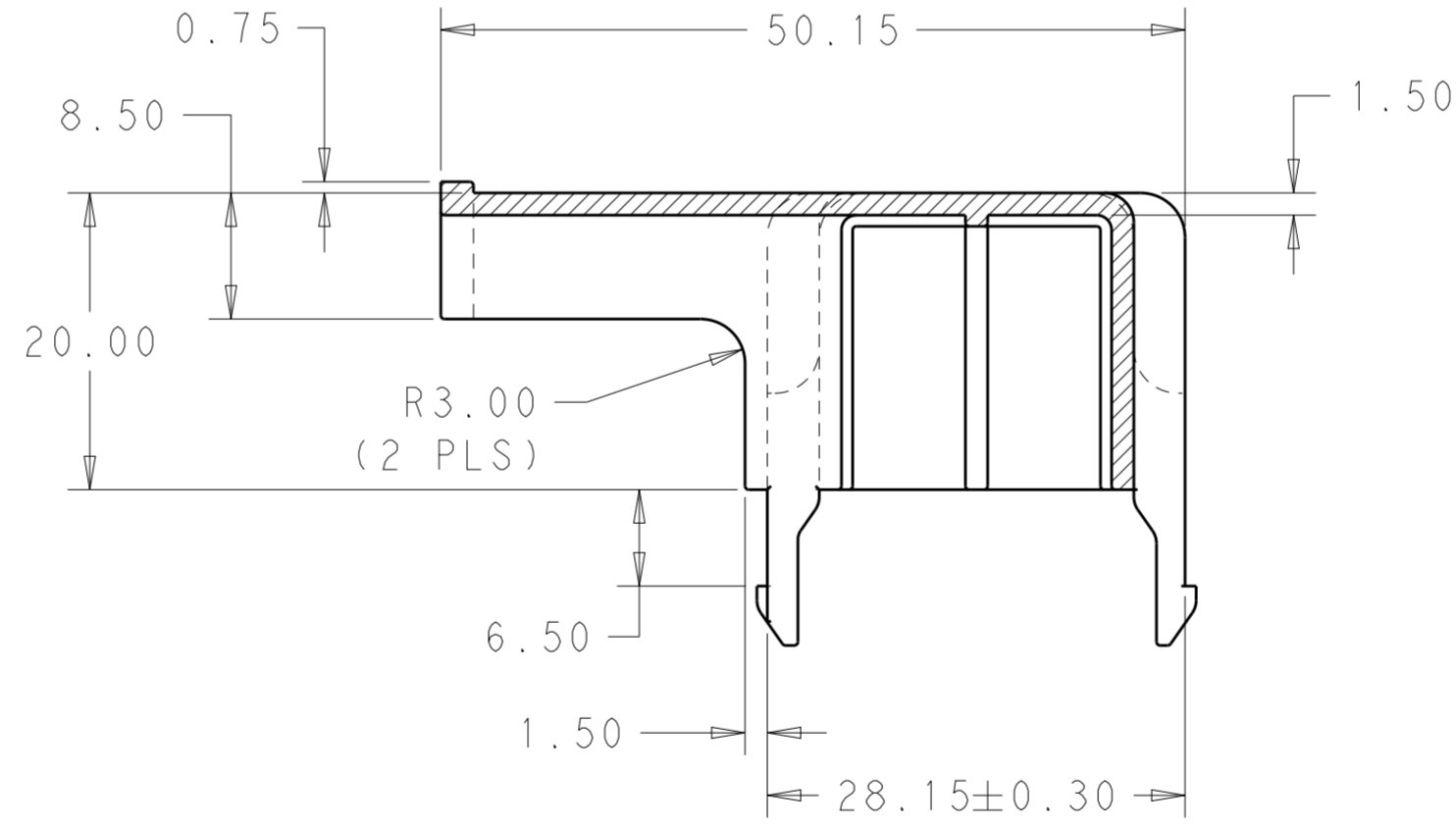
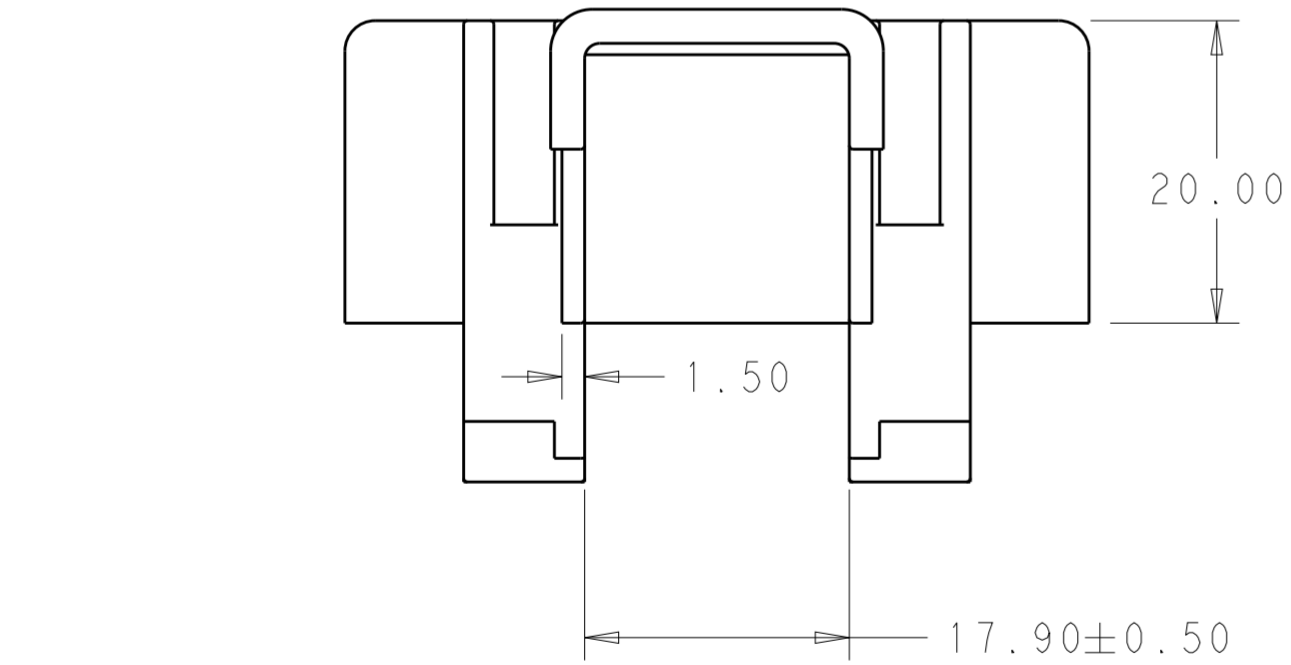
THIS DRAWING IS UNPUBLISHED. RELEASED FOR PUBLICATION 20
 © COPYRIGHT 20 BY - ALL RIGHTS RESERVED.

LOC	DIST	REVISIONS					
HK	00	P	LTR	DESCRIPTION	DATE	DWN	APVD
			A	REVISED PER ECO-13-013329	20AUG2013	DD	DD



SCALE 1:1

1. ALL DIMENSIONS ARE IN MILLIMETERS.
2. MATERIAL: ZYTEL 71G-13L, COLOR - BLACK.



SECTION A-A
 (28.85 MAX AFTER BOW ALLOWANCE)

49.20	13002623201	4-1437287-9
39.20	13002622401	4-1437287-8
DIM A	T&B PART NO.	TE PART NUMBER

THIS DRAWING IS A CONTROLLED DOCUMENT.		DWN R. HARDISON 20 JUN 2001	TE Connectivity	
DIMENSIONS: mm		CHK R. HARDISON 20 JUN 2001		
TOLERANCES UNLESS OTHERWISE SPECIFIED:		APVD R. HARDISON 20 JUN 2001	NAME ROUTING COVER, 90 DEGREE EXIT, 24 AND 32 POSITION SOCKET	
0 PLC ±1 1 PLC ±.5 2 PLC ±.2 3 PLC ±.1 4 PLC ±.05 ANGLES ±2 FINISH		PRODUCT SPEC -	SIZE A200779	
MATERIAL ZYTEL		APPLICATION SPEC -	DRAWING NO C-1456321	
		WEIGHT -	RESTRICTED TO -	
		Customer Drawing	SCALE 2:1 SHEET 1 OF 1 REV A	