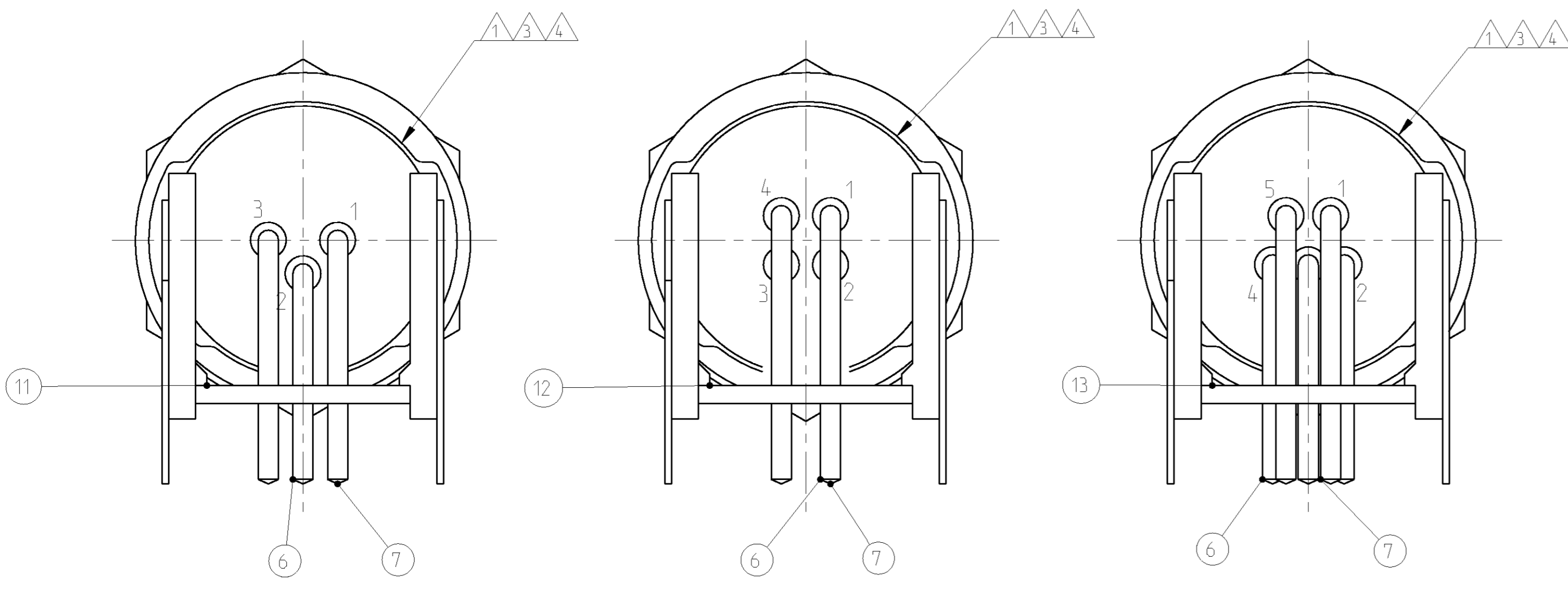


LOC	DISC	REV	DATE	BY	APPV
A1	-	1	18JUN2001	NG	GF
A2	-	2	06DEC2002	NG	GF

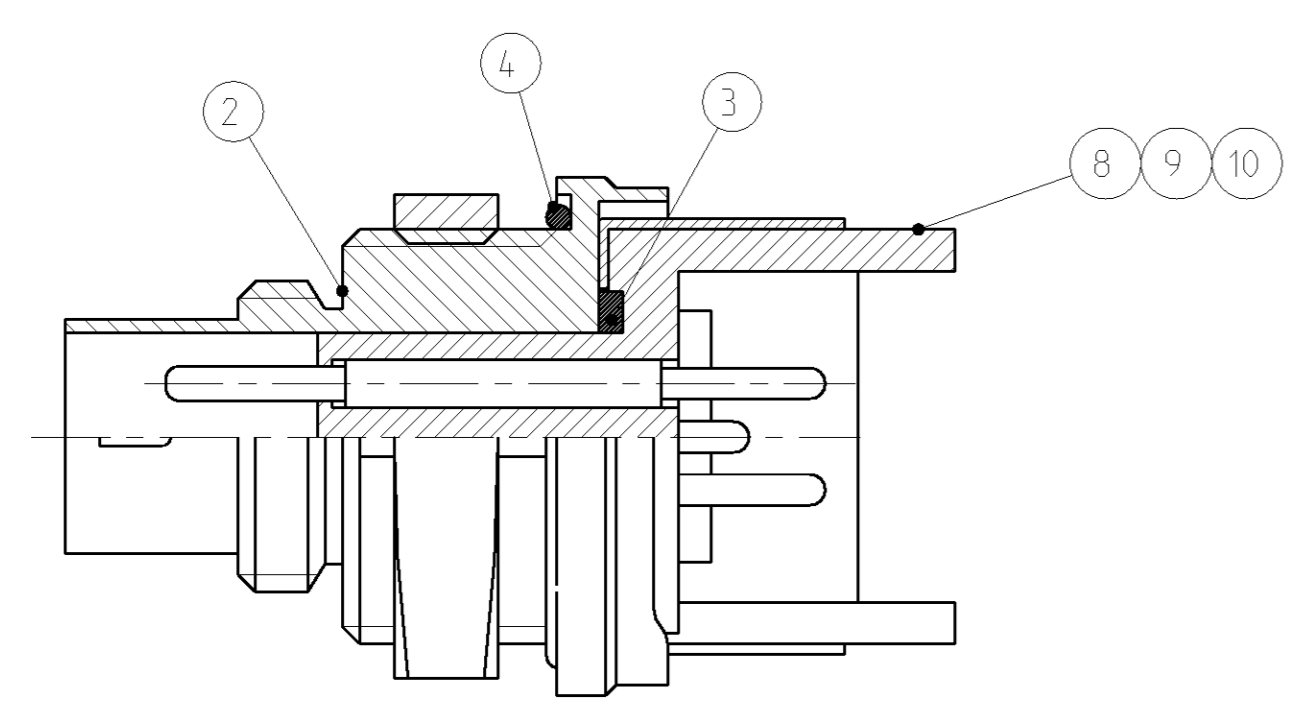
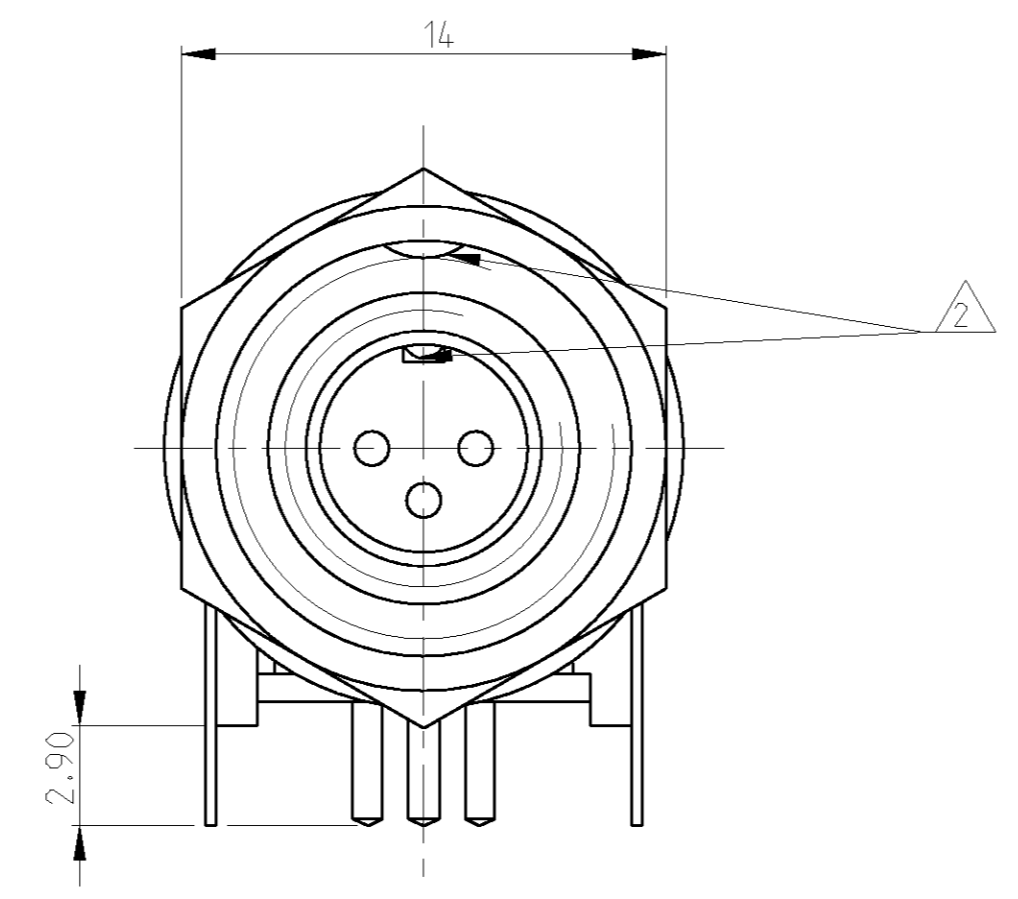
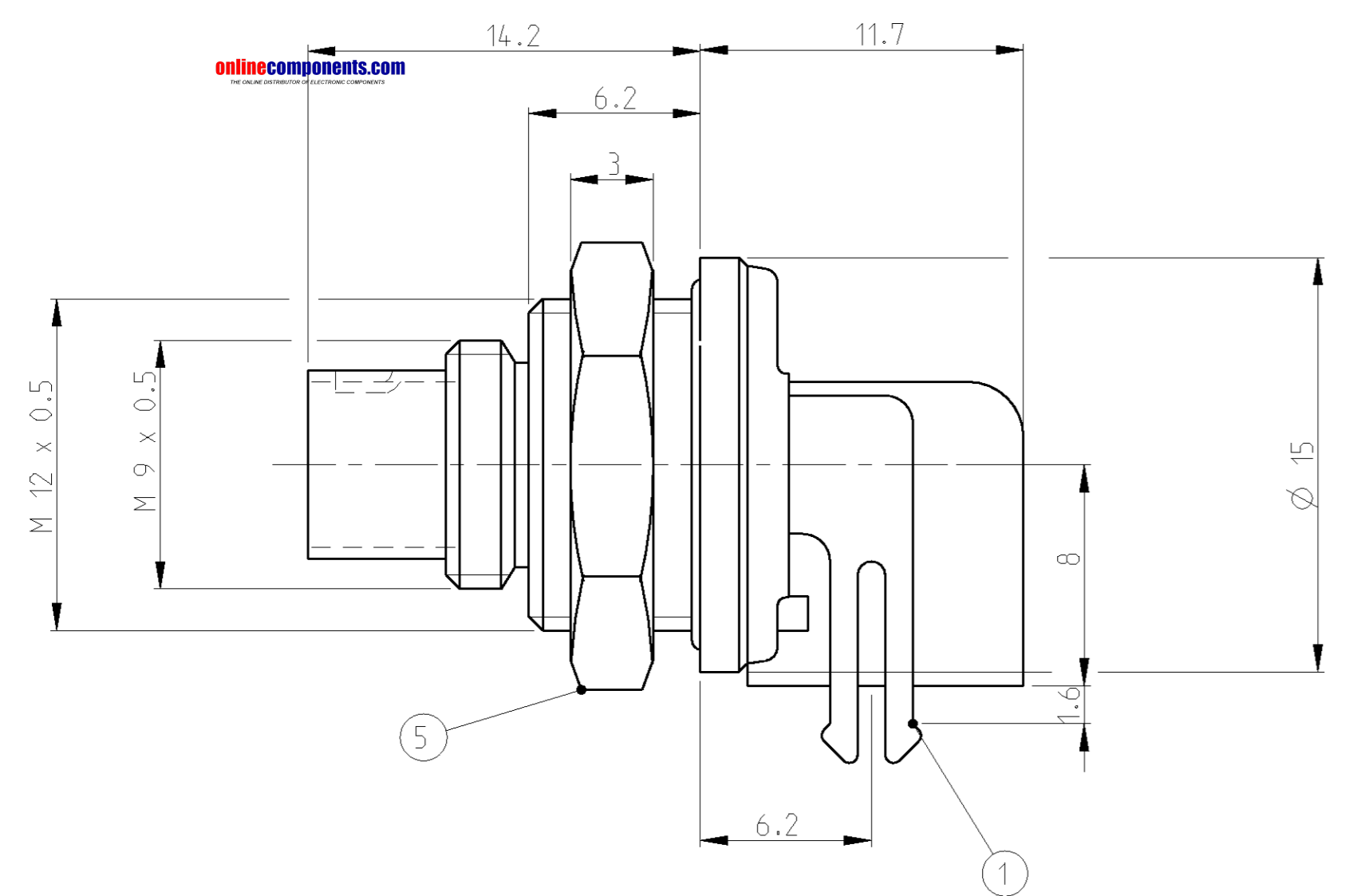
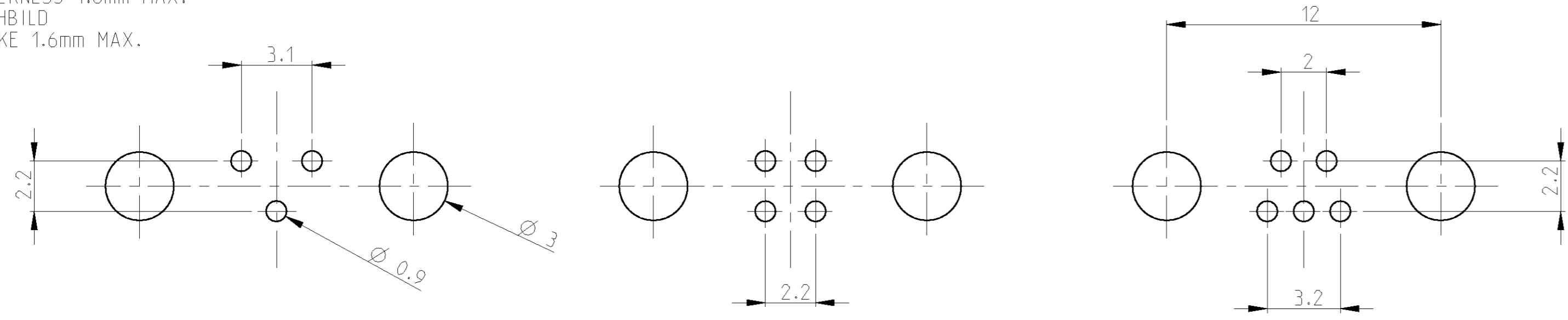
3 WAY
3 POLIG

4 WAY
4 POLIG

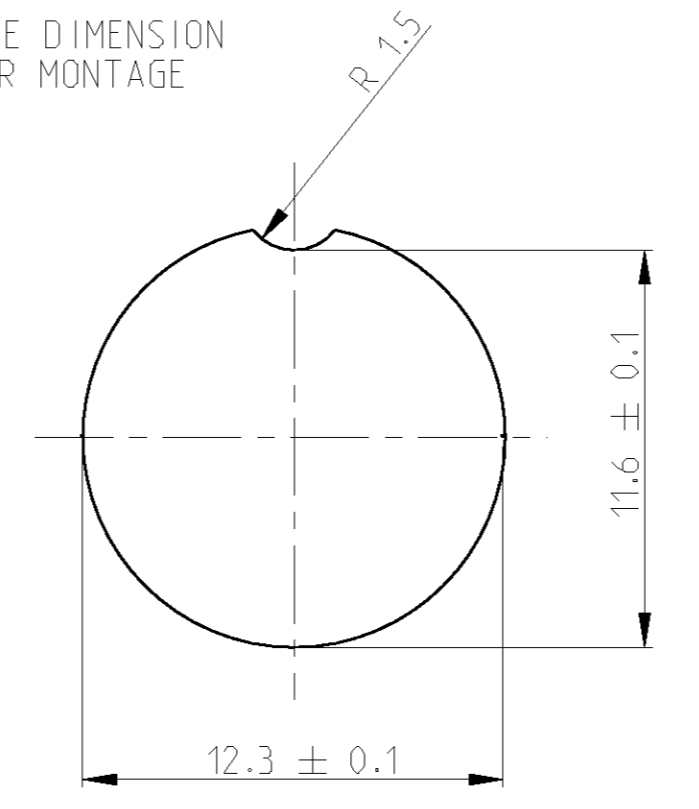
5 WAY
5 POLIG



PCB HOLES
PCB THICKNESS 1.6mm MAX.
PCB LOCHBILD
PCB DICKE 1.6mm MAX.



MOUNTING HOLE DIMENSION
LOCHBILD FUER MONTAGE



MATERIAL / MATERIAL: PBT, UL-94 V2	△5
SHELL MATERIAL / GEHAUSEMATERIAL: CUZN	△4
FINISH / BESCHICHTUNG: TRIBOR 4 µm	△3
WIRE GAGE / DRAHTGROESSE IN mm ² : 0.25	△4
CONTACT RESISTANCE / KONTAKTWIDERSTAND: => 5 mΩ	△3
CODING / CODIERUNG	△2
RATED CURRENT PER CONTACT / NENNSTROM PRO KONTAKT: 3 A	△1
SHELL PROTECTION CLASS / SCHUTZKLASSE: IP 65 / DIN 40050	
TERMINATION: SOLDERING / VERBINDUNG: LOETKONTAKTE	
TEST VOLTAGE / PRUEFSPANNUNG: 500 VAC	
OPERATING VOLTAGE / BETRIEBSSPANNUNG: 60 VAC	
OPERATING TEMPERATURE: -40°C TO +80°C / ARBEITSTEMPERATUR: -40°C BIS +80°C	
MATING CYCLES / STECKZYKLEN: 500 MAX.	
TECHNICAL DATA TECHNISCHE DATEN	

TYCO-NO./TYCO NR.	QTY REQD PER ASSY	DESCRIPTION / BESCHREIBUNG	ITEM-NO. TEIL-NR.
5-1437719-1	1	PLATE 5 POS. / PLATTE 5 POL.	13
4-1437719-8	1	PLATE 4 POS. / PLATTE 4 POL.	12
4-1437719-5	1	PLATE 3 POS. / PLATTE 3 POL.	11
	1	INSULATION TUBE 5 POS. / ISOLIERHUELSE 5 POL.	10
	1	INSULATION TUBE 4 POS. / ISOLIERHUELSE 4 POL.	9
	1	INSULATION TUBE 3 POS. / ISOLIERHUELSE 3 POL.	8
2	2	MALE PIN APPLIED BY PRESSURE / STIFTKONTAKT EINGEPRESST	7
3	2	MALE PIN APPLIED BY PRESSURE / STIFTKONTAKT EINGEPRESST	6
1	1	NUT / MUTTER	5
1	1	SEAL / DICHTUNG	4
1	1	SEAL / DICHTUNG	3
1	1	HOUSING / GEHAUESE	2
1	1	GROUND ON PCB SPRING / VERBINDUNGSFEDER ZUR PCB MASSE	1
-	-	REVISION OF EACH ASSY NO. (WHEN BLANK, USE DWG REV.)	
CATALOG-NO.	T01-0560-P05	DESCRIPTION / BESCHREIBUNG	ITEM-NO. TEIL-NR.
CATALOG-NO.	T01-0560-P04	PARTS LIST / TEILE LISTE	
CATALOG-NO.	T01-0560-P03		

4-1437719-5 AS SHOWN
WIE GEZEICHNET

<p>TYCO ELECTRONICS CORPORATION</p> <p>11115 SANDHURST RD. CHAMBERSBURG, PA 15622-0001</p> <p>TELEPHONE: 717-241-0000 FAX: 717-241-0001</p> <p>WWW.TYCOELECTRONICS.COM</p>	<p>DATE: 18JUN2001</p> <p>BY: H. SCHERER</p> <p>APPV: H. SCHERER</p> <p>PRODUCT SPEC: 00779</p> <p>APPLICATION SPEC: 00779</p> <p>WEIGHT: -</p> <p>CUSTOMER DRAWING</p>	<p>DATE: 18JUN2001</p> <p>BY: H. SCHERER</p> <p>APPV: H. SCHERER</p> <p>PRODUCT SPEC: 00779</p> <p>APPLICATION SPEC: 00779</p> <p>WEIGHT: -</p> <p>CUSTOMER DRAWING</p>	<p>TYCO Electronics AMP GmbH</p> <p>D - 64625 Bensheim</p> <p>NAME: T01 MALE PLUS CONN. PANEL MNT. PCB VER. 3-5 POS. 90 DGR.</p> <p>T01 STIFTSTECKER. EINBAU. PCB VER. 3-5 POL. 90 GRAD</p> <p>SIZE: A1</p> <p>CAGE CODE: 00779</p> <p>DRAWING NO.: 4-1437719-5</p> <p>RESTRICTED TO MR. PIER</p> <p>SHEET 1 OF 1</p> <p>REV. A2</p>
--	---	---	--