

415340-1 Product Details



415340-1

TE Internal Number: 415340-1



SMB RF Connectors

 Always EU RoHS/ELV Compliant (Statement of Compliance)

Product Highlights:

- Connector - RF
- Jack
- Standard
- Applies To Printed Circuit Board
- Coupler Style = Quick Connect/Disconnect

Documentation & Additional Information

Product Drawings:

- [JACK, RIGHT ANGLE, PCB, SMB](#) (PDF, English)

Catalog Pages/Data Sheets:

- [SMB Connectors](#) (PDF, English)

Product Specifications:

- None Available

Application Specifications:

- None Available

Instruction Sheets:

- None Available

CAD Files: ([CAD Format & Compression Information](#))

- [2D Drawing](#) (DXF, Version G)
- [3D Model](#) (IGES, Version G)
- [3D Model](#) (STEP, Version G)

Related Products:

- [Tooling](#)

Product Features (Please use the Product Drawing for all design activity)

Product Type Features:

- [Product Type](#) = Connector - RF
- [Gender](#) = Jack
- Connector Series = Standard
- [Grade](#) = Commercial
- [PCB Mounting Orientation](#) = Right Angle
- Board Standoff = Without
- PCB Mount Style = Through Hole
- Profile = Low
- Dielectric Material = Fluoropolymer

Mechanical Attachment:

- [Panel Mount Retention](#) = Without

Electrical Characteristics:

- [Connector Impedance](#) (Ω) = 50

Body Features:

- Coupler Style = Quick Connect/Disconnect
- [Body Style](#) = Right Angle
- [Pin Protection](#) = Without
- Solder Lug = Without
- [Body Plating](#) = Gold
- PCB Leg Plating = Gold

Contact Features:

- [Center Contact Plating](#) = Gold

Configuration Features:

- [Preloaded](#) = Yes
- [Environmental Protection](#) = Without

Industry Standards:

- [RoHS/ELV Compliance](#) = RoHS compliant, ELV compliant
- [Lead Free Solder Processes](#) = Not relevant for lead free process
- [RoHS/ELV Compliance History](#) = Always was RoHS compliant

Conditions for Usage:

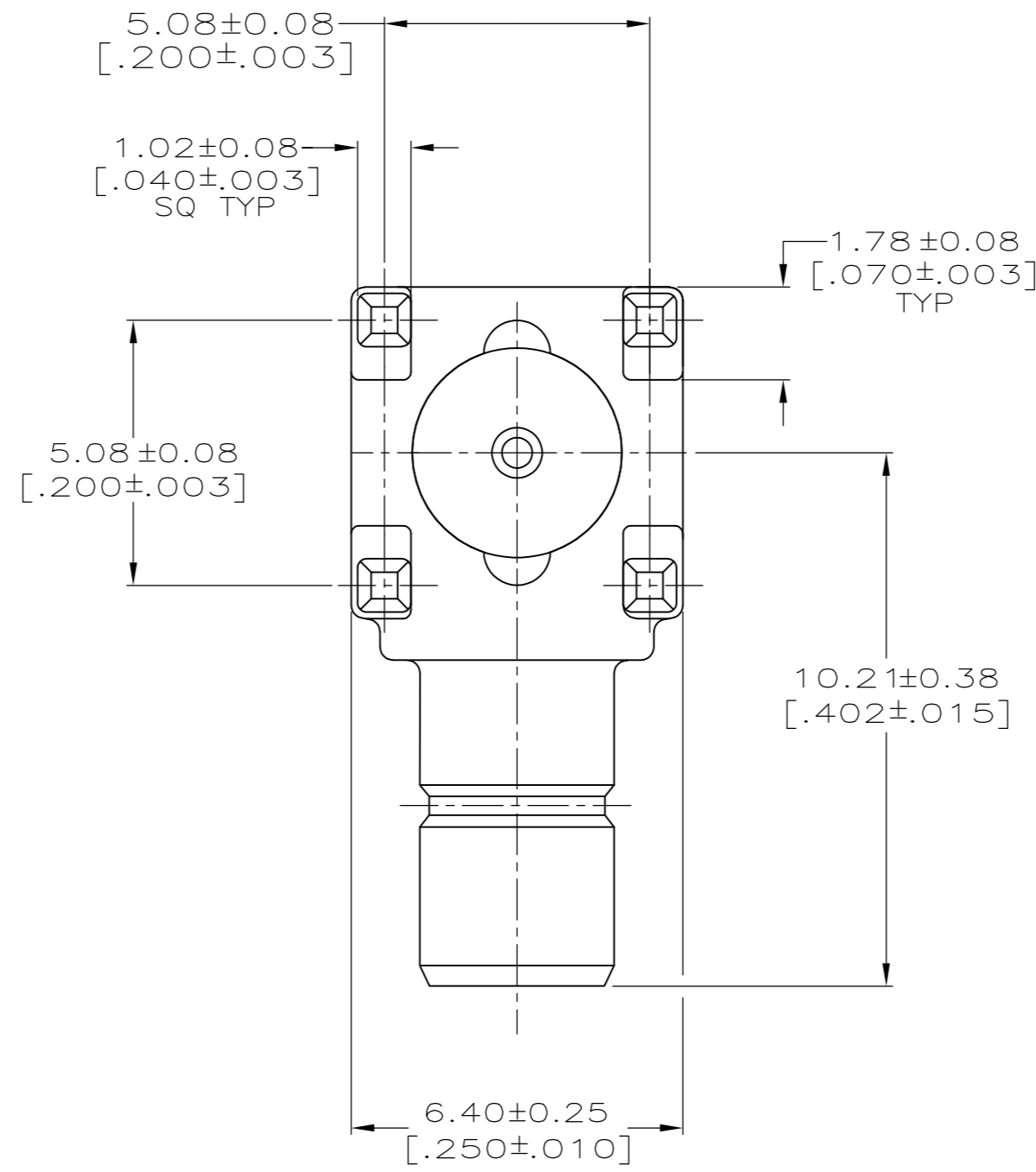
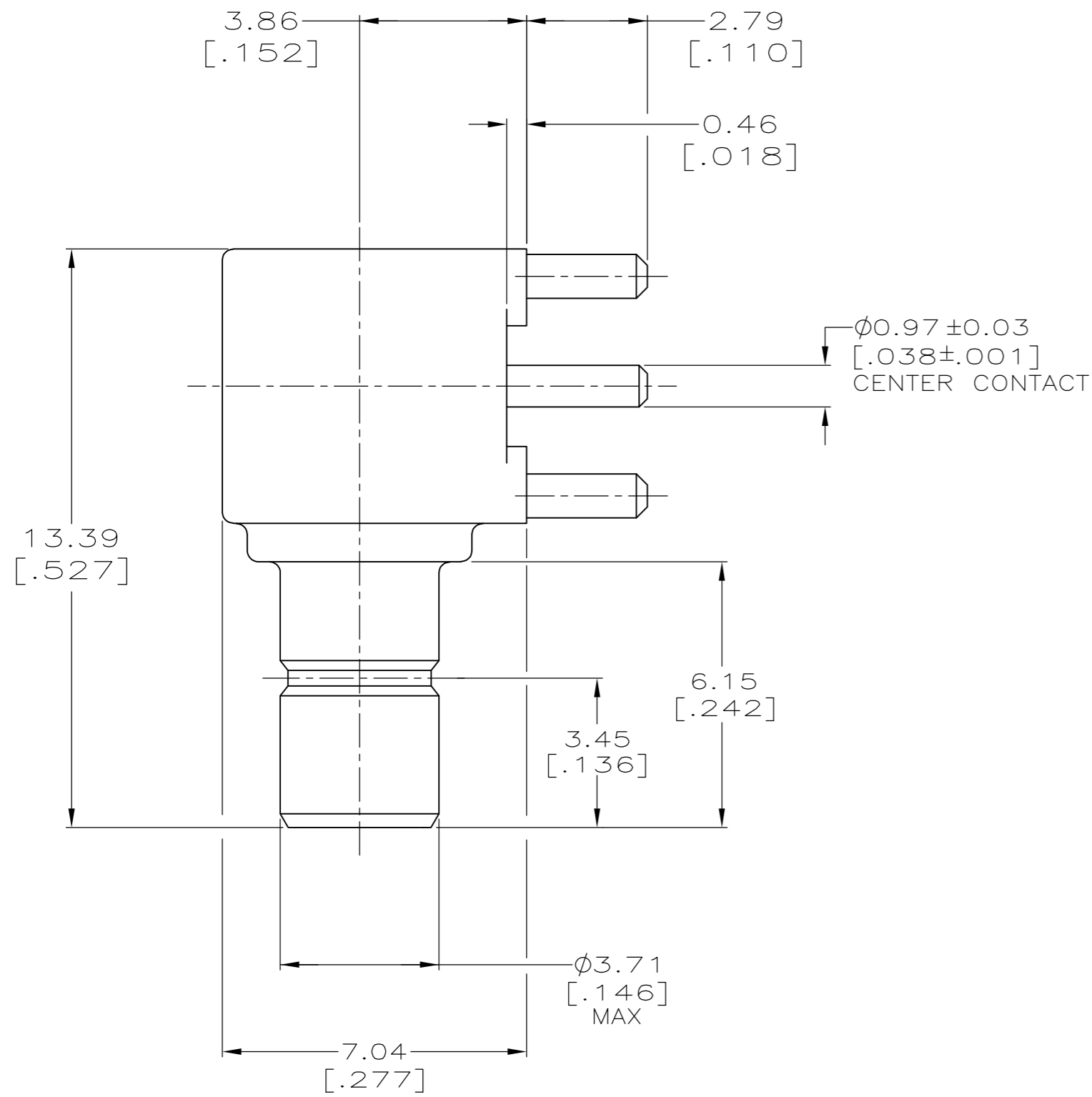
- [Applies To](#) = Printed Circuit Board

Other:

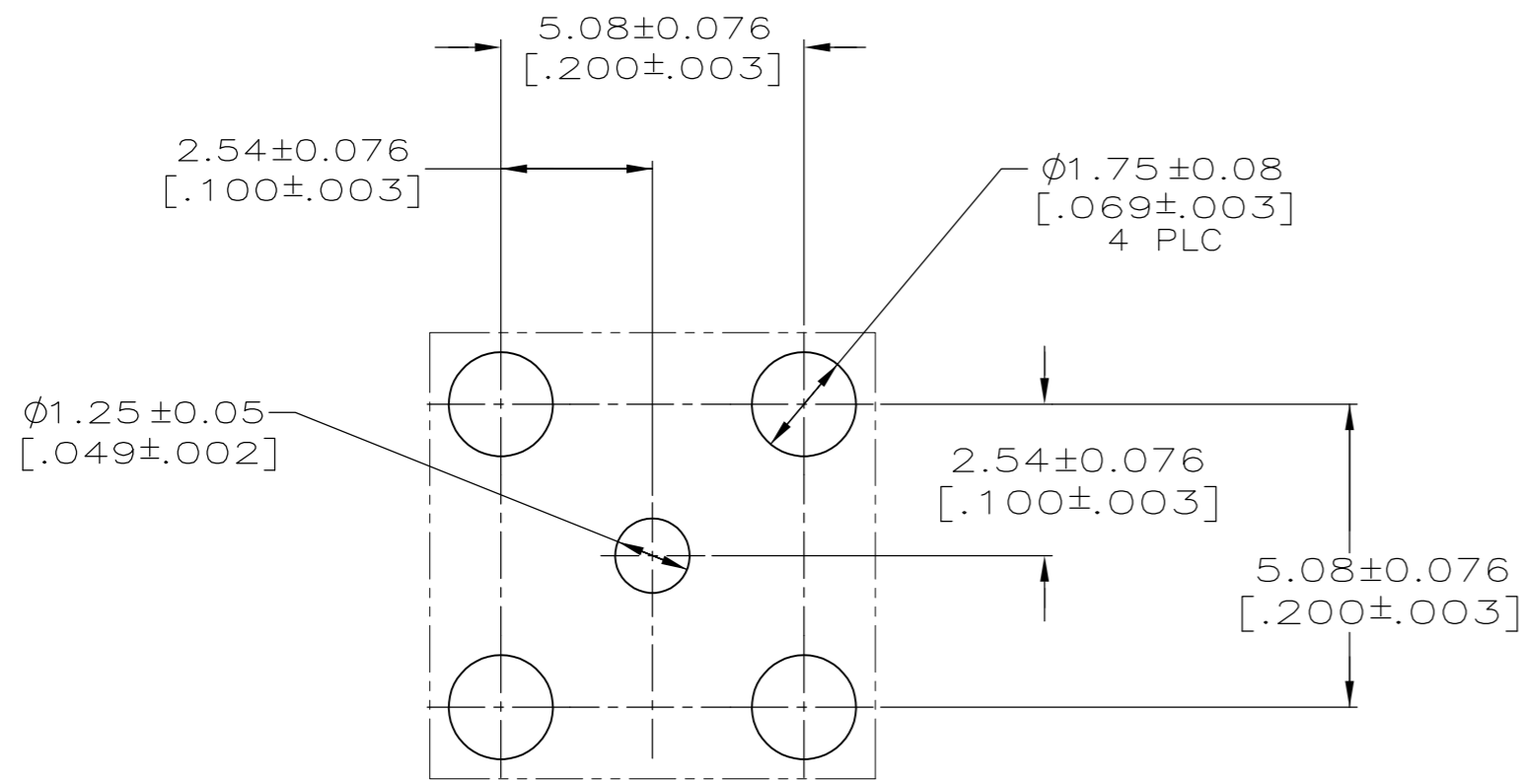
- Brand = AMP

THIS DRAWING IS UNPUBLISHED. RELEASED FOR PUBLICATION
 © COPYRIGHT - By - ALL RIGHTS RESERVED.

LOC		DIST		REVISIONS			
P	LTR	DESCRIPTION		DATE	DWN	APVD	
AJ	31	A2	ECO-12-018212	29OCT2012	GG	MY	



- 1 MATERIALS:
 BODY...ZINC ALLOY (ACUZINC)
 CENTER CONTACT...BRASS PER QQ-B-626
 DIELECTRICS...PTFE PER ASTM-D1710
- 2 FINISH:
 CENTER CONTACT...GOLD PLATE PER MIL-G-45204
 BODY...GOLD PLATE PER MIL-G-45204.
- 3. INTERFACE PER MIL-C-39012



RECOMMENDED PCB CONFIGURATION

415340-1
 PART NUMBER

THIS DRAWING IS A CONTROLLED DOCUMENT.		DWN 02/FEB/96 S. BURKHOLDER					
DIMENSIONS: mm [INCHES]		CHK 4-1-96 B. MOYER					
TOLERANCES UNLESS OTHERWISE SPECIFIED:		APVD 4-1-96 J. CABARLO	NAME JACK, RIGHT ANGLE, PCB, SMB				
0 PLC ± - 1 PLC ± - 2 PLC ± 0.13 [.005] 3 PLC ± - 4 PLC ± - ANGLES ± -		PRODUCT SPEC -	SIZE A2	CAGE CODE 00779	DRAWING NO C=415340	RESTRICTED TO -	
MATERIAL 1	FINISH 2	WEIGHT -	CUSTOMER DRAWING		SCALE 8:1	SHEET 1 of 1	REV A2