

Distributed by:

JAMECO[®]
ELECTRONICS

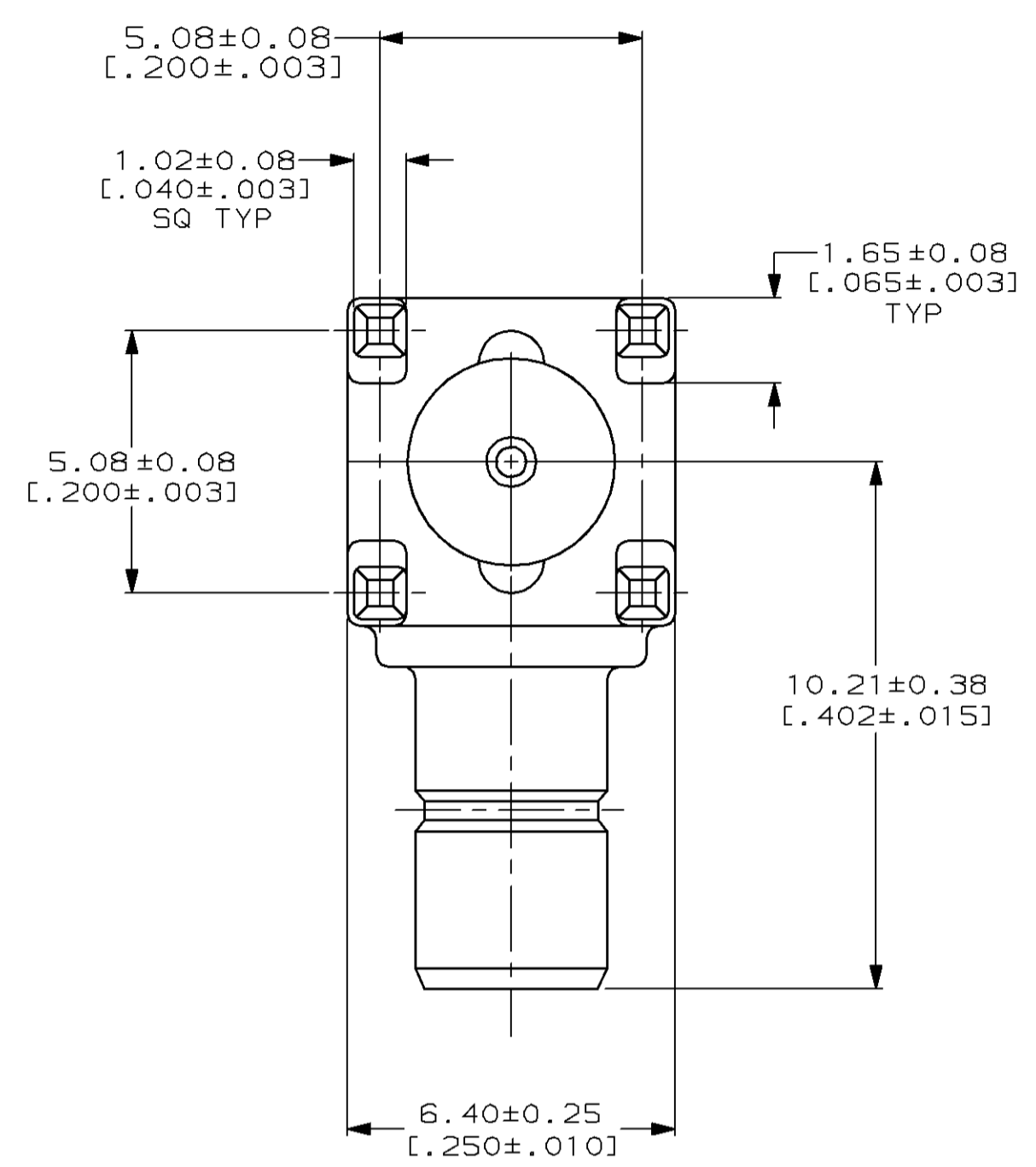
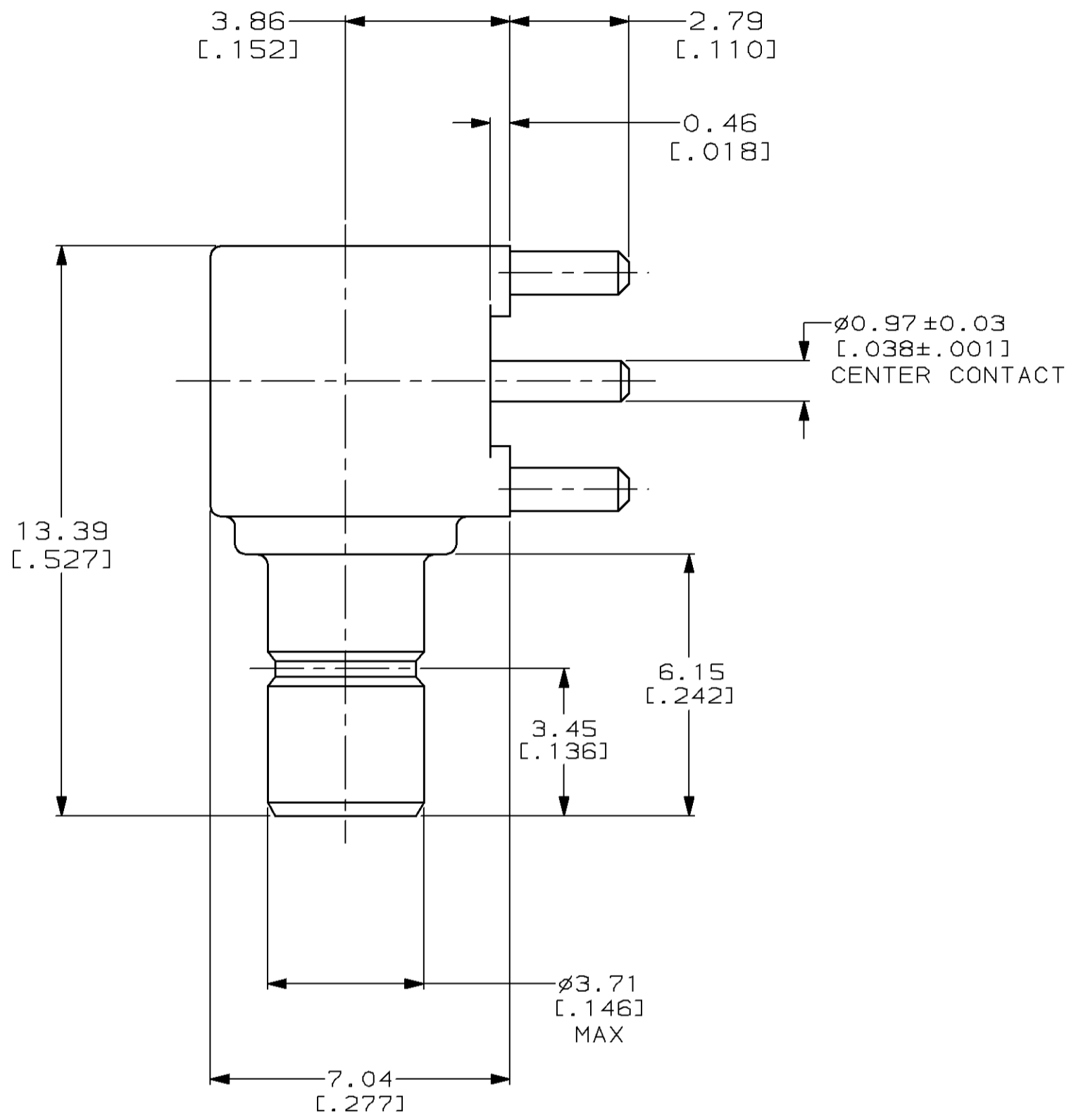
www.Jameco.com ♦ 1-800-831-4242

The content and copyrights of the attached
material are the property of its owner.

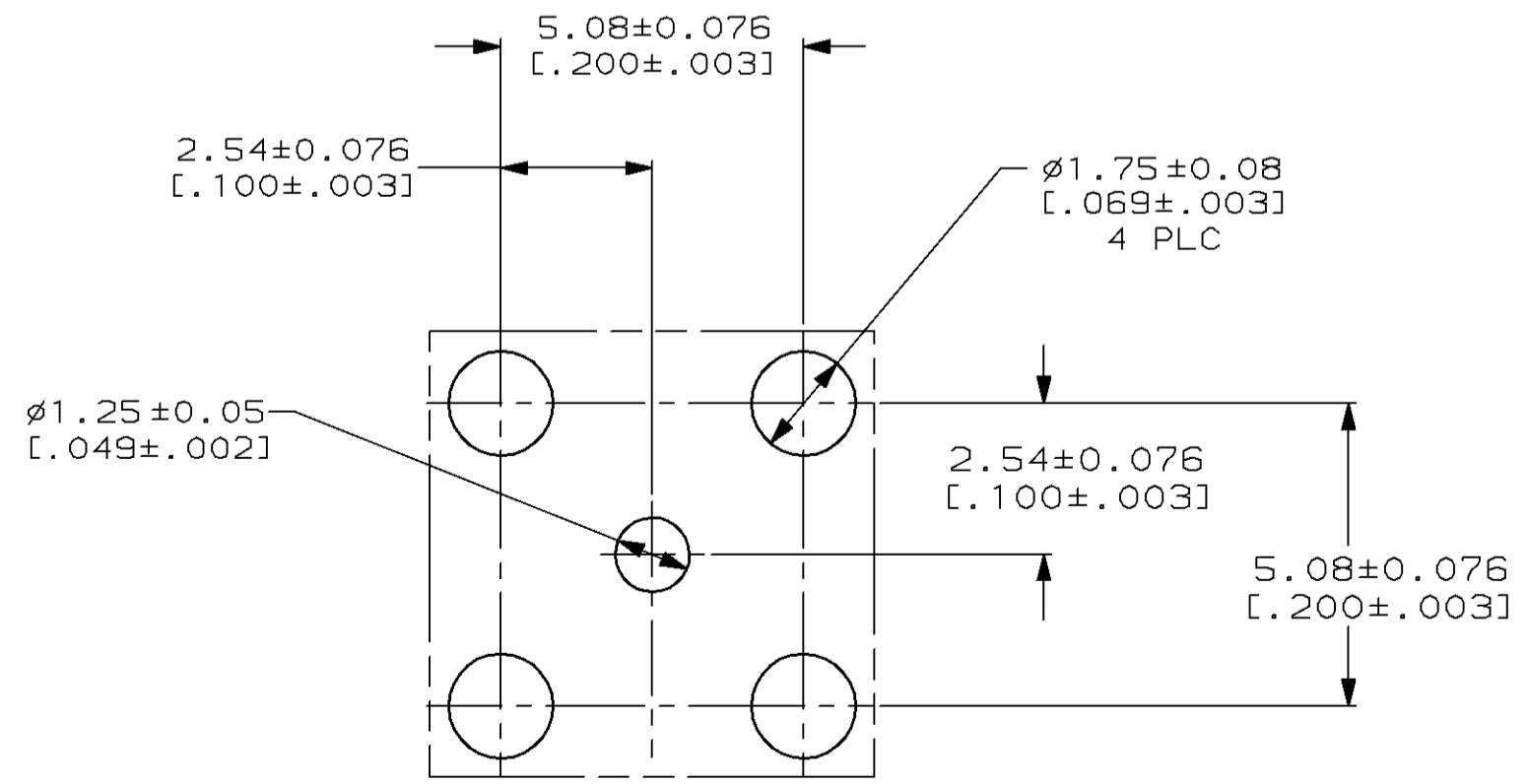
Jameco Part Number 752405

THIS DRAWING IS UNPUBLISHED. RELEASED FOR PUBLICATION
 BY AMP INCORPORATED. ALL RIGHTS RESERVED.

REVOLUTION		REVISIONS			
P	LTR	DESCRIPTION	DATE	DWN	APVD
0		RELEASED PER 95-3386-002-1	4-1-96	SWB	JC
A		REVISED PER 0503-0471-97	8-1-97	JG	SB



- 1 MATERIALS:
 BODY...ZINC ALLOY (ACUZINC)
 CENTER CONTACT...BRASS PER QQ-B-626
 DIELECTRICS...TEFLON PER ASTM-D1710
- 2 FINISH:
 CENTER CONTACT...GOLD PLATE PER MIL-G-45204
 BODY...GOLD PLATE PER MIL-G-45204.
- 3. INTERFACE PER MIL-C-39012



RECOMMENDED PCB CONFIGURATION

415340-1
 PART NUMBER

<small>THIS DRAWING IS A CONTROLLED DOCUMENT FOR AMP INCORPORATED. IT IS SUBJECT TO CHANGE AND THE CONTROLLING ENGINEERING ORGANIZATION SHOULD BE CONTACTED FOR THE LATEST REVISION.</small>		DWN S. BURKHOLDER 02/FEB/96 CHK B. MOYER 4-1-96 APVD J. CABARLO 4-1-96	AMP AMP Incorporated Harrisburg, PA 17105-3608
DIMENSIONS: mm [INCHES]	TOLERANCES UNLESS OTHERWISE SPECIFIED: 0 PLC ±- 1 PLC ±- 2 PLC ±0.13 [.005] 3 PLC ±- 4 PLC ±- ANGLES ±-	PRODUCT SPEC APPLICATION SPEC	JACK, RIGHT ANGLE, PCB, SMB
MATERIAL 1	FINISH 2	WEIGHT - CUSTOMER DRAWING	SIZE A2 CAGE CODE 00779 DRAWING NO ©=415340 SCALE 8:1 SHEET 1 OF 1 REV A

415340