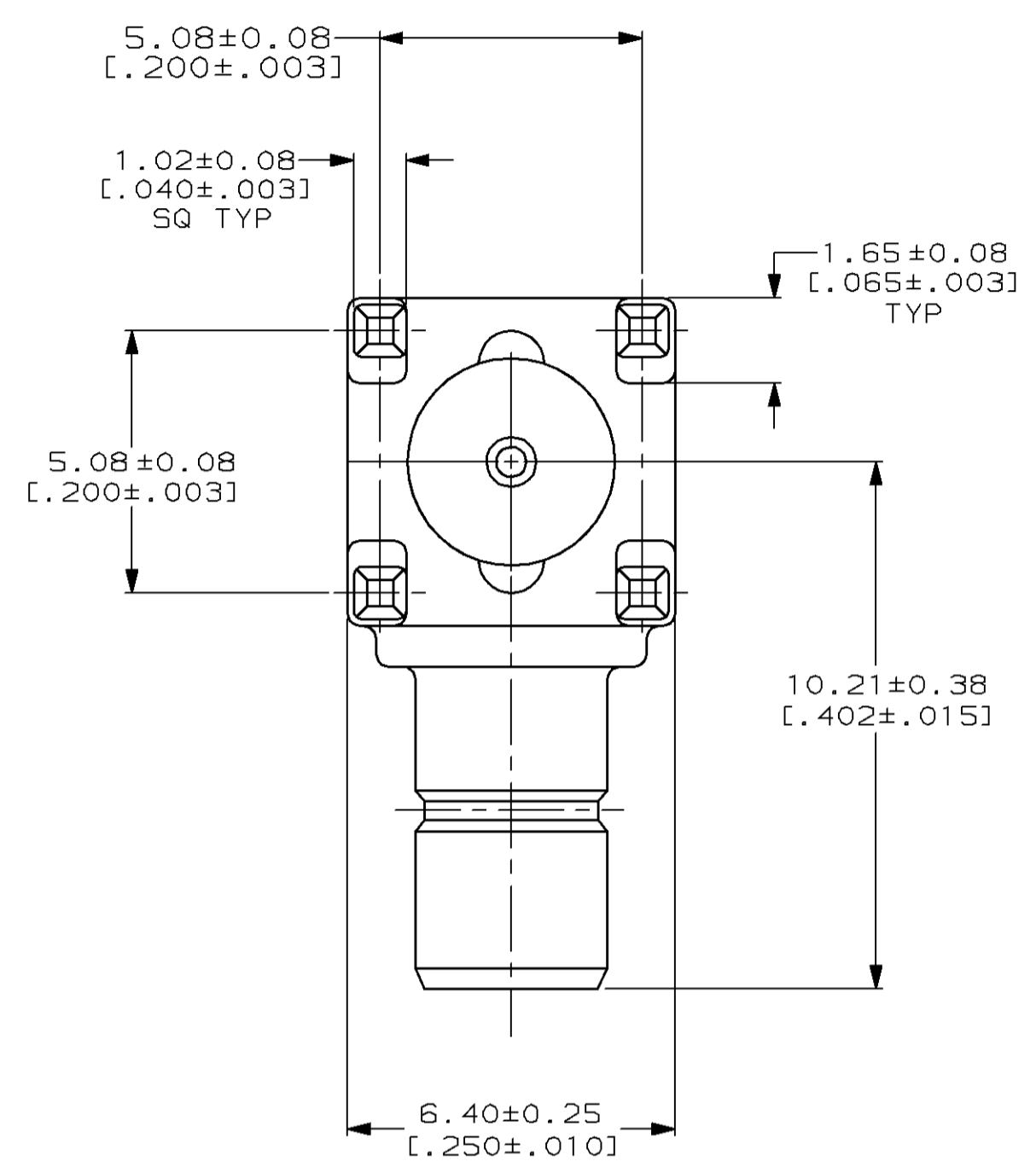
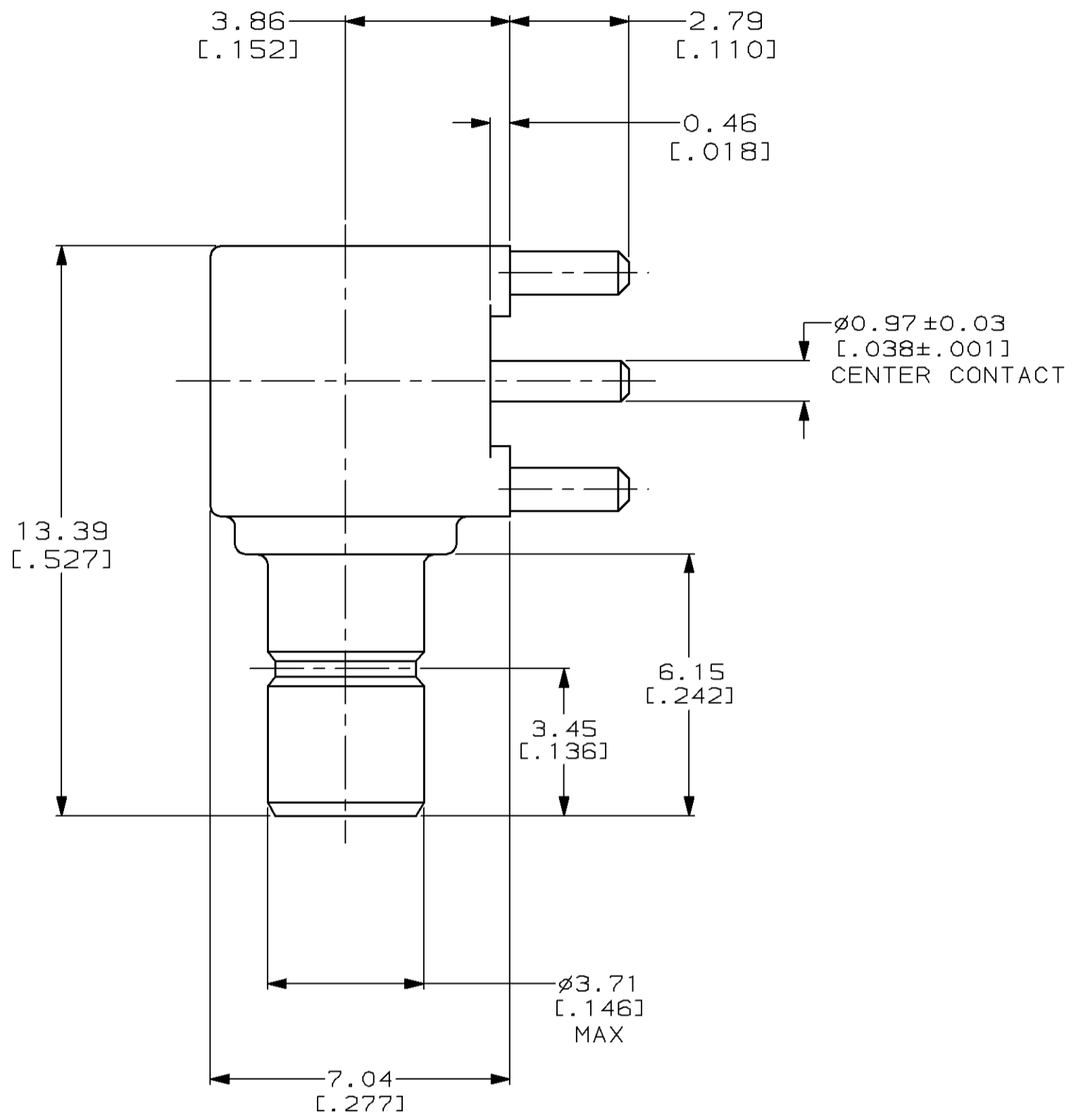
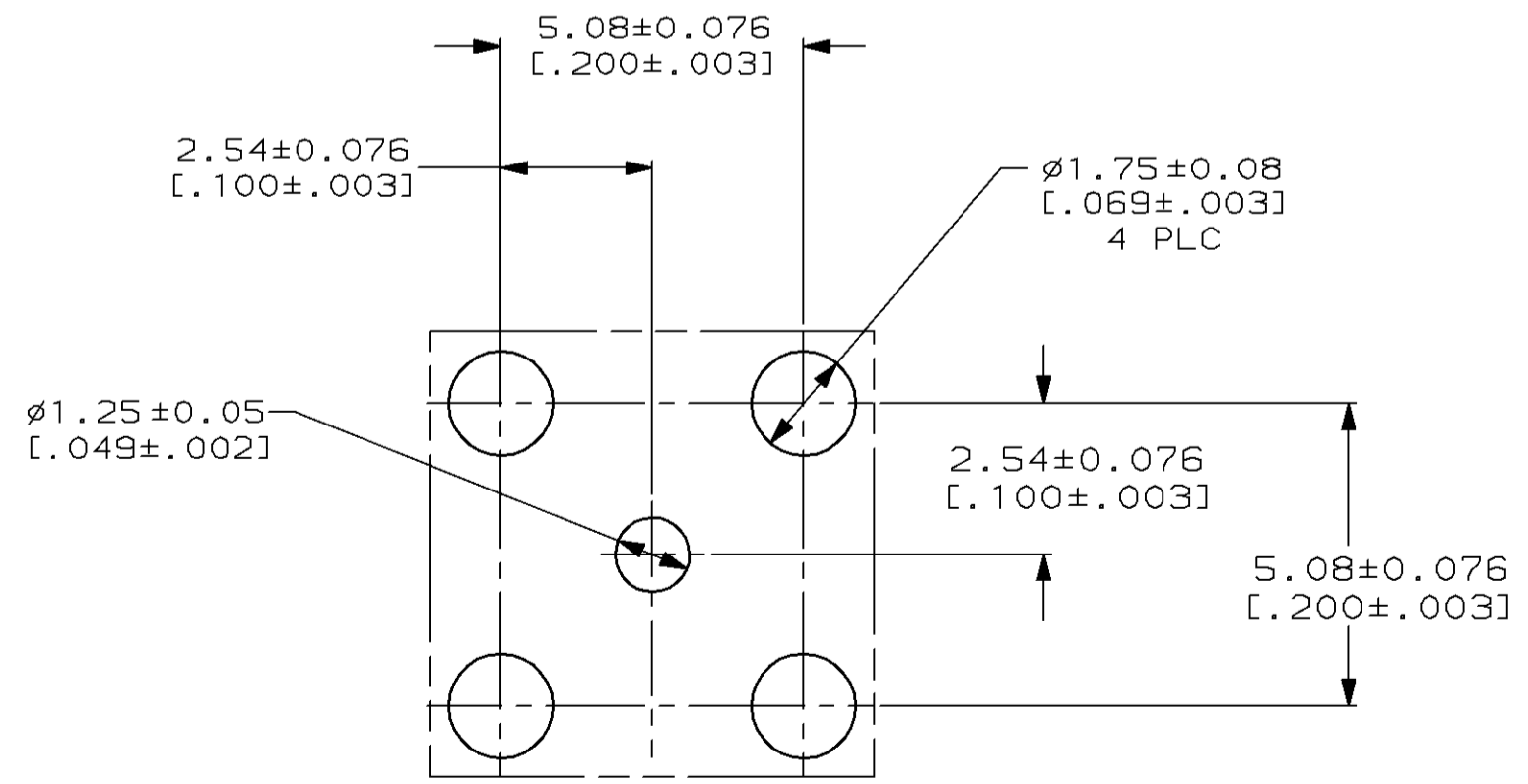


THIS DRAWING IS UNPUBLISHED. RELEASED FOR PUBLICATION
 BY AMP INCORPORATED. ALL RIGHTS RESERVED.

REVOLUTION		REVISIONS			
P	LTR	DESCRIPTION	DATE	DWN	APVD
0		RELEASED PER 95-3386-002-1	4-1-96	SWB	JC
A		REVISED PER 0503-0471-97	8-1-97	JG	SB



- 1 MATERIALS:
 BODY...ZINC ALLOY (ACUZINC)
 CENTER CONTACT...BRASS PER QQ-B-626
 DIELECTRICS...TEFLON PER ASTM-D1710
- 2 FINISH:
 CENTER CONTACT...GOLD PLATE PER MIL-G-45204
 BODY...GOLD PLATE PER MIL-G-45204.
- 3. INTERFACE PER MIL-C-39012



RECOMMENDED PCB CONFIGURATION

415340-1
 PART NUMBER

<small>THIS DRAWING IS A CONTROLLED DOCUMENT FOR AMP INCORPORATED. IT IS SUBJECT TO CHANGE AND THE CONTROLLING ENGINEERING ORGANIZATION SHOULD BE CONTACTED FOR THE LATEST REVISION.</small>		DWN S. BURKHOLDER 02/FEB/96 CHK B. MOYER 4-1-96 APVD J. CABARLO 4-1-96	AMP AMP Incorporated Harrisburg, PA 17105-3608		
DIMENSIONS: mm [INCHES]		TOLERANCES UNLESS OTHERWISE SPECIFIED: 0 PLC ±- 1 PLC ±- 2 PLC ±0.13 [.005] 3 PLC ±- 4 PLC ±- ANGLES ±-		NAME JACK, RIGHT ANGLE, PCB, SMB PRODUCT SPEC - APPLICATION SPEC - WEIGHT -	
MATERIAL 1		FINISH 2		SIZE A2 CAGE CODE 00779 DRAWING NO ©=415340 SCALE 8:1 SHEET 1 OF 1 REV A	
CUSTOMER DRAWING		SHEET 1 OF 1 REV A			

415340