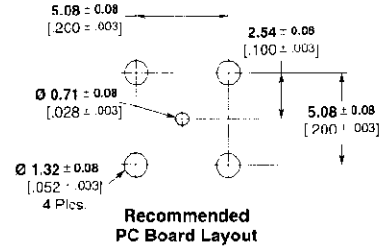
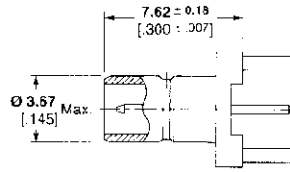


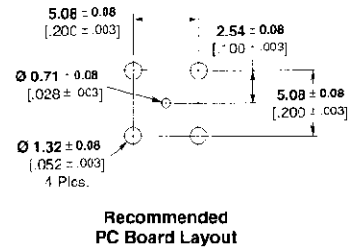
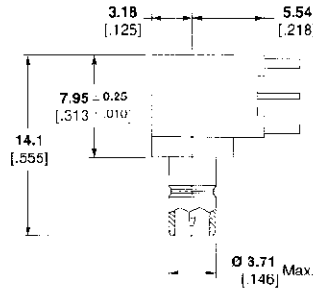
SMB Connectors, Mini 75 Ohm (Continued)

Vertical PC Board Jacks



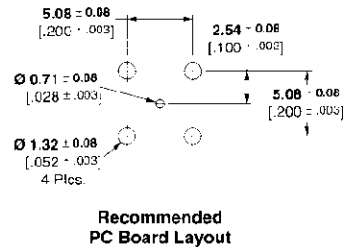
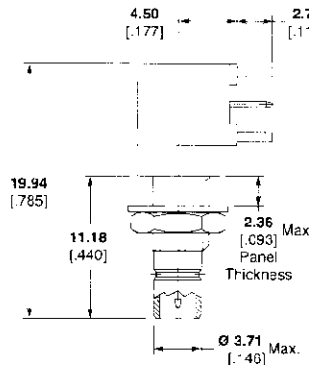
Leg Length	Center Contact Plating	Body Plating	Part No.
2.11 .083	Gold	Gold	415504-1
2.11 .083	Gold	Gold Flash	415504-2
3.05 .120	Gold	Gold	415504-3
3.05 .120	Gold	Gold Flash	415504-4

Right Angle PC Board Jacks



Leg Length	Center Contact Plating	Body Plating	Part No.
2.79 .110	Gold	Gold	415490-1
2.79 .110	Gold	Nickel	415490-2
2.11 .083	Gold	Gold	415490-3
2.11 .083	Gold	Nickel	415490-4

Right Angle PC Board Bulkhead Jacks



Leg Length	Center Contact Plating	Body Plating	Part No.
2.79 .110	Gold	Nickel	415377-1
2.79 .110	Gold	Gold	415377-2