

Distributed by:

JAMECO[®]
ELECTRONICS

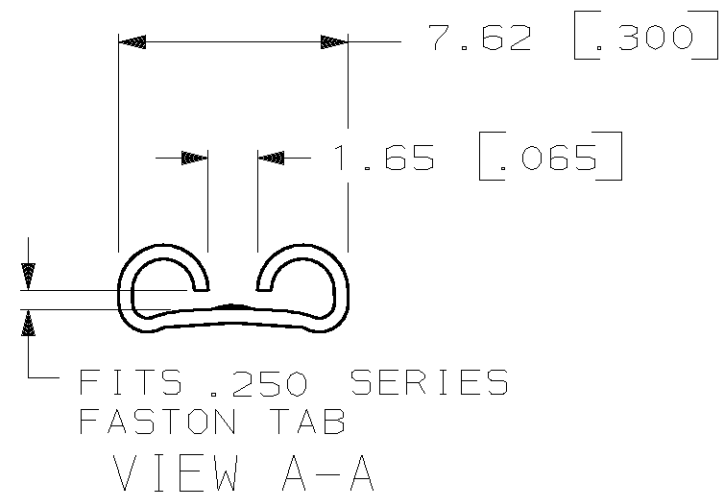
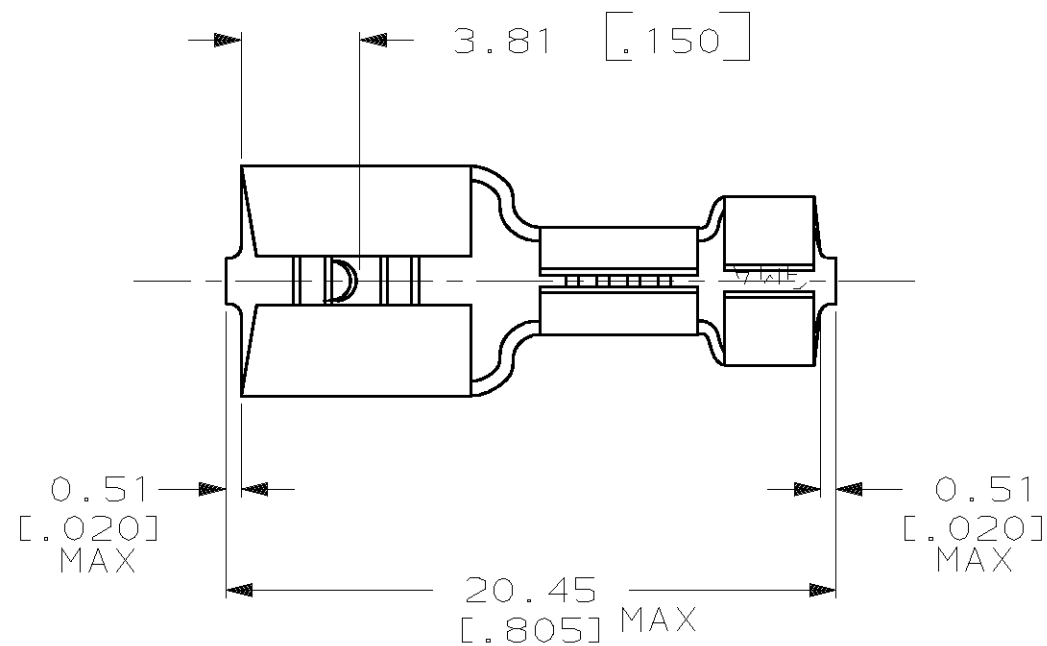
www.Jameco.com ♦ 1-800-831-4242

The content and copyrights of the attached
material are the property of its owner.

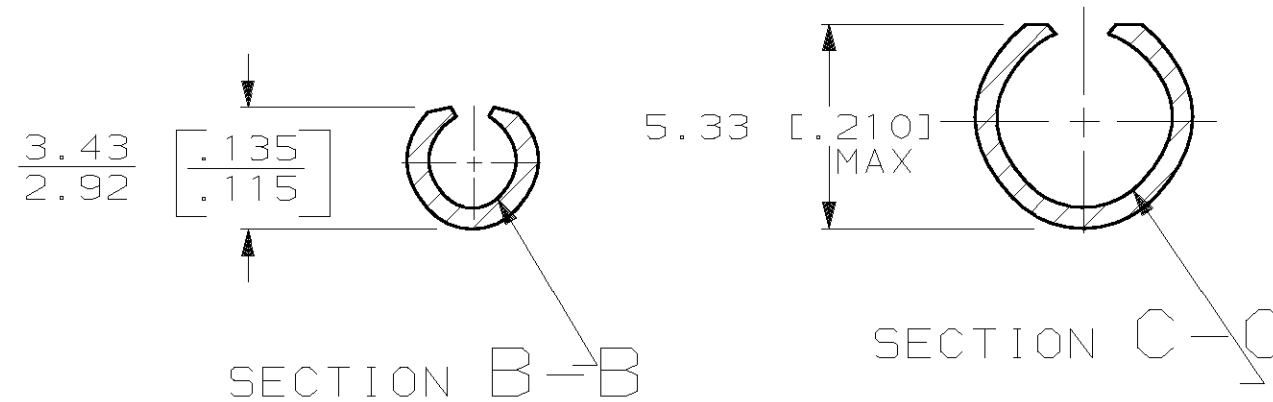
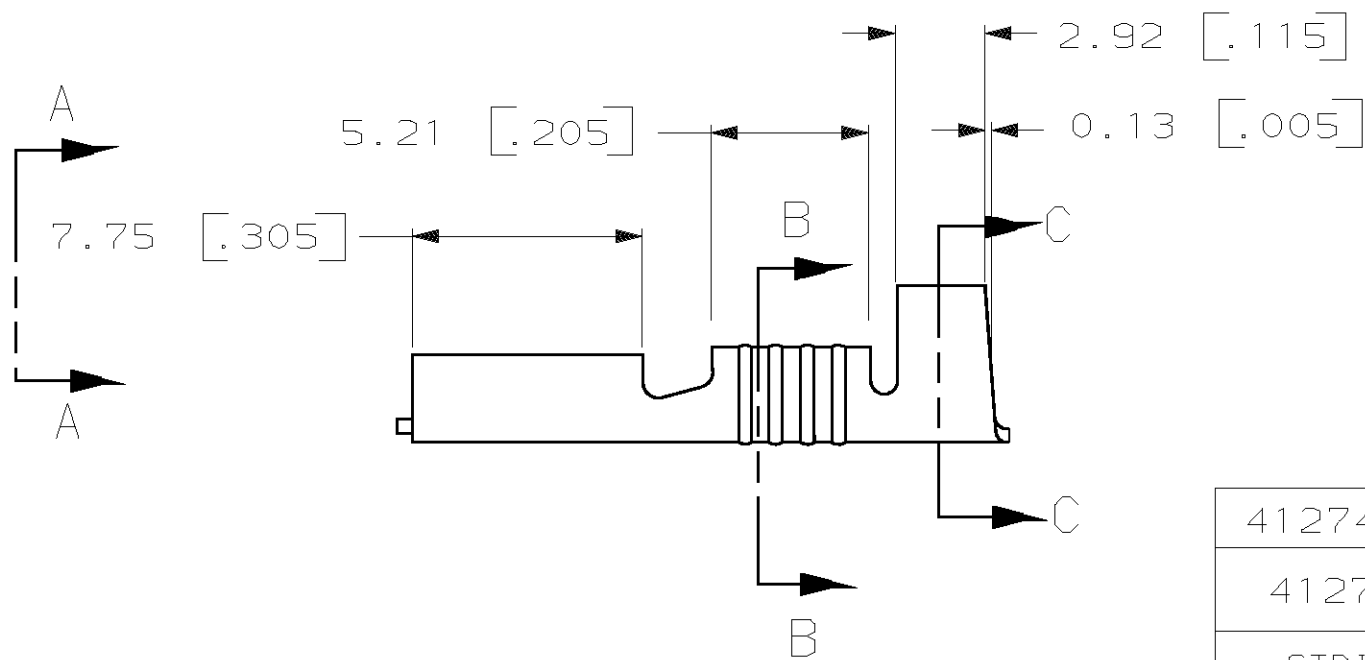
Jameco Part Number 848642

THIS DRAWING IS UNPUBLISHED. RELEASED FOR PUBLICATION ,19 .
 © COPYRIGHT 19 BY AMP INCORPORATED. ALL INTERNATIONAL RIGHTS RESERVED.

LOC	DIST	P	F	REVISIONS			DATE	APPD
AF	50			ZONE	LTR	DESCRIPTION		
					J	REV PER 0G3A-0811-00	11DEC00	JR/PD



1 SUPPLIED IN LOOSE PIECE
 2 FOREIGN PRODUCTION ONLY.



41274-1	3.05-3.68	0.8-1.3mm ²	0.81	△ 41729-2
41274	[.120-.145] DIA	[18-16] AWG	[.032]	41729
STRIP	INSUL RANGE	WIRE SIZE	MATING TAB THK ±0.025 [.001]	PART NO
DO NOT SCALE PRINT. UNLESS SPECIFIED DIMENSIONS IN mm [INCHES] TOLERANCES ON: 2 PLC DEC ± 0.25 [.010] 3 PLC DEC ± - ANGLES ± -		DR 2/11/91 JR RUTH CHK 2/11/91 MS FEHER APPD 2/11/91 C MEYERS APPD 2/11/91 R REINER PRODUCT SPEC - APPLICATION SPEC - WEIGHT -	AMP AMP Incorporated Harrisburg, PA 17105-3608 NAME RECEPTACLE, FASTON, 6.35 [.250] SERIES	
MATERIAL BRASS 0.46 [.018]	FINISH TIN .000080 MIN	SIZE B	CAGE CODE 00779	DRAWING NO 41729
SCALE 4:1			SHEET 1 OF 1	