

**Product Facts**

- Available in ZIF and non-ZIF
- Available in 0.3, 0.5, 1.0, and 1.25mm Centerlines
- Available Tin-Lead or Lead-Free
- SMT, Thu-Hole, Vertical and Right-Angle
- Right-Angle Available Top or Bottom Contact

**Need more information?**

Call Technical Support at the numbers listed below.

Technical Support is staffed with specialists well versed in Tyco Electronics products. They can provide you with:

- Technical support
- Catalogs
- Technical Documents
- Product Samples
- Authorized Distributor Locations



As the demands for higher-density packaging of electronic equipment increases, the use of flexible printed circuits (FPC) to reduce size, weight and assembly costs has expanded. FPC is finding wide acceptance in the computer industry, particularly in such applications as Lap Top, Notebook, Palm Top and Note Pad

Computers. Other markets include: Disk Drives, Printers, Plotters, Copiers, Cellular Phones, and Medical Equipment.

Tyco Electronics FPC connectors have been developed to meet the challenges of this expanding market. Available in center-line spacings 0.3 [.012], 0.5

[.020], 1.0 [.039], and 1.25 [.049] all incorporating low profile and light-weight features.

For custom parts, modification, or any inquiries, please contact your nearest Tyco Electronics Representatives or visit our website <http://www.tycoelectronics.com>

| Part Number | Pb Free Part Number | Pitch | ZIF    | SMT / Thu-Hole | Vertical / Right-Angle | Contact Type | Circuit Range | Type A/B | Page Number |
|-------------|---------------------|-------|--------|----------------|------------------------|--------------|---------------|----------|-------------|
| 1746237     | 1746237             | 0.3   | ZIF    | SMT            | Right-Angle            | Bottom       | 27, 39        | A        | 2           |
| 1470731     | 1734742             | 0.5   | ZIF    | SMT            | Vertical               | —            | 4 - 40P       | A        | 3           |
| 1470359     | 1734839             | 0.5   | ZIF    | SMT            | Right-Angle            | Top          | 5 - 50P       | Inline   | 4 & 5       |
| 1470360     | 1734592             | 0.5   | ZIF    | SMT            | Right-Angle            | Bottom       | 5 - 50P       | Inline   | 6 & 7       |
| 440347      | 1734248             | 1.0   | ZIF    | SMT            | Vertical               | —            | 3 - 40P       | 2 Row    | 8 & 9       |
| 487951      | 84953               | 1.0   | ZIF    | SMT            | Right-Angle            | Top          | 4 - 30P       | Inline   | 10 & 11     |
| 487952      | 84952               | 1.0   | ZIF    | SMT            | Right-Angle            | Bottom       | 4 - 30P       | Inline   | 12 & 13     |
| 84982       | 84982               | 1.0   | NonZIF | SMT            | Vertical               | —            | 4 - 40P       | A        | 14 & 15     |
| 84981       | 84981               | 1.0   | NonZIF | SMT            | Right-Angle            | Top          | 4 - 40P       | Inline   | 16 & 17     |
| 1470852     | 1734798             | 1.0   | NonZIF | SMT            | Right-Angle            | Bottom       | 4 - 30P       | Inline   | 18 & 19     |
| 84984       | 84984               | 1.0   | NonZIF | Thu-Hole       | Vertical               | —            | 4 - 40P       | A        | 20 & 21     |
| 84983       | 84983               | 1.0   | NonZIF | Thu-Hole       | Right-Angle            | Top          | 4 - 40P       | A        | 22 & 23     |
| 1470790     | 1734779             | 1.0   | NonZIF | Thu-Hole       | Right-Angle            | Bottom       | 4 - 30P       | B        | 24 & 25     |
| 84534       | 84534               | 1.25  | NonZIF | Thu-Hole       | Vertical               | —            | 4 - 40P       | A        | 26 & 27     |
| 84533       | 84533               | 1.25  | NonZIF | Thu-Hole       | Right-Angle            | Top          | 4 - 40P       | A        | 28 & 29     |

©2006 by Tyco Electronics Corporation. All Rights Reserved.

Tyco and AMP are trademarks.

**Product Dimensions**

**0.3 mm, FPC Connector,  
Flip Lock Type**

**Part Number: 1746237**

**Material and Finish**

**Housing** — Thermoplastic, UL 94V-0

**Contacts** — Phosphor bronze

**Technical Documents**

**Product Specification** — 108-5924



**Recommended PCB Layout**

**Product Dimensions** (Continued)

**0.5 mm, FPC/FFC  
Connector, ZIF, Vertical,  
SMT, Type A**

**Part Number 1470731  
Lead Free 1734742**

**Material and Finish**

**Housing** — High temperature thermo-  
plastic, UL 94V-0, brown color

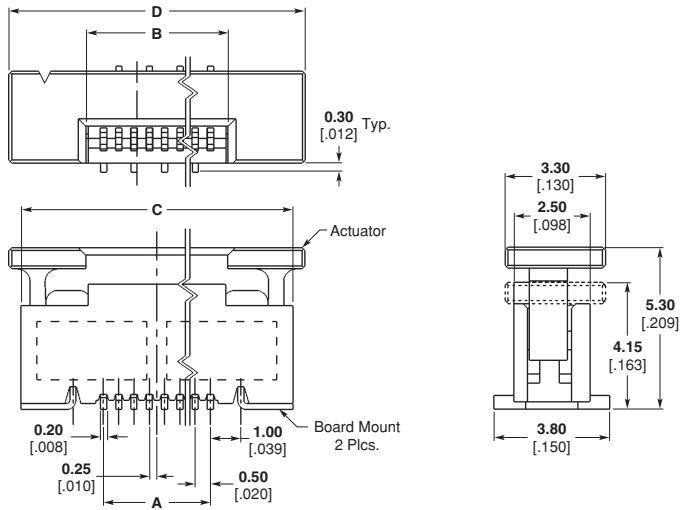
**Actuator** — High temperature thermo-  
plastic, UL 94V-0, natural color

**Contacts** — Phosphor bronze

**Board Mounts** — Brass

**Technical Documents**

**Product Specification** — 108-57324



**Recommended FFC Layout**

**Recommended FPC Layout**



**Recommended PCB Layout**

| Part Number | No. of Contacts | Dimension     |               |                |                |
|-------------|-----------------|---------------|---------------|----------------|----------------|
|             |                 | A             | B             | C              | D              |
| 1-1470731-6 | 16              | 7.50<br>.295  | 8.65<br>.341  | 12.90<br>.508  | 13.70<br>.539  |
| 1-1470731-8 | 18              | 8.50<br>.335  | 9.65<br>.380  | 13.90<br>.547  | 14.70<br>.579  |
| 2-1470731-0 | 20              | 9.50<br>.374  | 10.65<br>.419 | 14.90<br>.587  | 15.70<br>.618  |
| 2-1470731-4 | 24              | 11.50<br>.453 | 12.65<br>.498 | 16.90<br>.665  | 17.70<br>.697  |
| 3-1470731-0 | 30              | 14.50<br>.571 | 15.65<br>.616 | 19.90<br>.783  | 20.70<br>.815  |
| 4-1470731-0 | 40              | 19.50<br>.768 | 20.65<br>.813 | 25.90<br>1.020 | 25.70<br>1.012 |

**Product Dimensions** (Continued)

**0.5 mm, FPC Connector,  
SMT, Top Contact**

**Part Number** 1470359  
**Lead Free** 1734839

**Material and Finish**

**Housing** — High temperature thermo-  
plastic, UL 94V-0, natural color

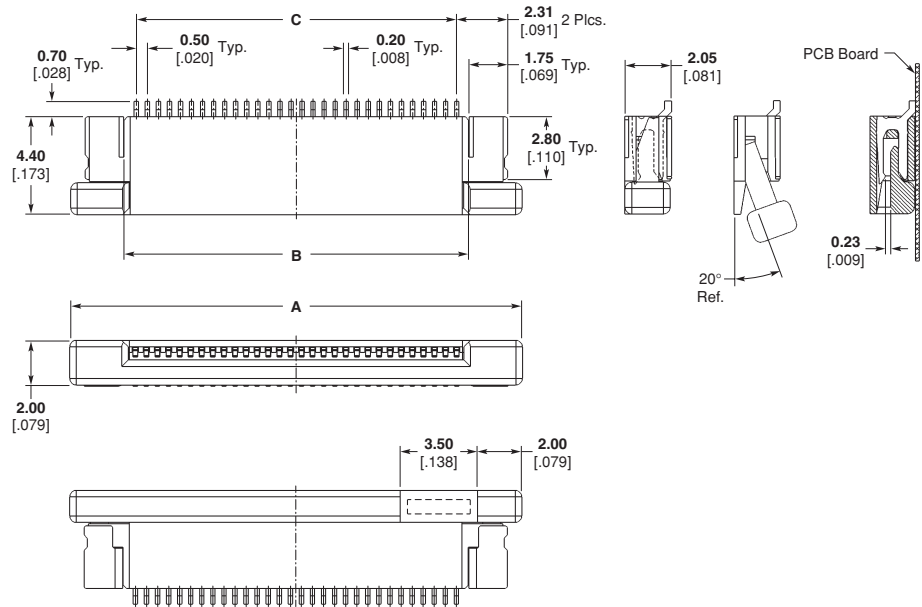
**Actuator** — Thermoplastic, UL 94V-0,  
ivory color

**Hold Down** — Phosphor bronze

**Contact** — Phosphor bronze

**Technical Documents**

**Product Specification** — 108-57238



**Recommended FPC Layout**



**Recommended PCB Layout**

**Product Dimensions** (Continued)

**0.5 mm, FPC Connector,  
SMT, Top Contact**

**Part Number 1470359  
Lead Free 1734839**

| Part Number | Position | Dimension     |               |               |
|-------------|----------|---------------|---------------|---------------|
|             |          | A             | B             | C             |
| 1470359-5   | 5        | 7.93<br>.312  | 3.10<br>.122  | 2.00<br>.078  |
| 1470359-6   | 6        | 8.43<br>.331  | 3.60<br>.141  | 2.50<br>.098  |
| 1470359-7   | 7        | 8.93<br>.351  | 4.10<br>.161  | 3.00<br>.118  |
| 1470359-8   | 8        | 9.43<br>.371  | 4.60<br>.181  | 3.50<br>.137  |
| 1470359-9   | 9        | 9.93<br>.390  | 5.10<br>.200  | 4.00<br>.157  |
| 1-1470359-0 | 10       | 10.43<br>.410 | 5.60<br>.220  | 4.50<br>.177  |
| 1-1470359-1 | 11       | 10.93<br>.430 | 6.10<br>.240  | 5.00<br>.196  |
| 1-1470359-2 | 12       | 11.43<br>.450 | 6.60<br>.259  | 5.50<br>.216  |
| 1-1470359-3 | 13       | 11.93<br>.469 | 7.10<br>.279  | 6.00<br>.236  |
| 1-1470359-4 | 14       | 12.43<br>.489 | 7.60<br>.299  | 6.50<br>.255  |
| 1-1470359-5 | 15       | 12.93<br>.509 | 8.10<br>.318  | 7.00<br>.275  |
| 1-1470359-6 | 16       | 13.43<br>.528 | 8.60<br>.338  | 7.50<br>.295  |
| 1-1470359-7 | 17       | 13.93<br>.548 | 9.10<br>.358  | 8.00<br>.314  |
| 1-1470359-8 | 18       | 14.43<br>.568 | 9.60<br>.377  | 8.50<br>.334  |
| 1-1470359-9 | 19       | 14.93<br>.587 | 10.10<br>.397 | 9.00<br>.354  |
| 2-1470359-0 | 20       | 15.43<br>.607 | 10.60<br>.417 | 9.50<br>.374  |
| 2-1470359-1 | 21       | 15.93<br>.627 | 11.10<br>.437 | 10.00<br>.393 |
| 2-1470359-2 | 22       | 16.43<br>.646 | 11.60<br>.456 | 10.50<br>.413 |
| 2-1470359-3 | 23       | 16.93<br>.666 | 12.10<br>.476 | 11.00<br>.433 |
| 2-1470359-4 | 24       | 17.43<br>.686 | 12.60<br>.496 | 11.50<br>.452 |
| 2-1470359-5 | 25       | 17.93<br>.705 | 13.10<br>.515 | 12.00<br>.472 |
| 2-1470359-6 | 26       | 18.43<br>.725 | 13.60<br>.535 | 12.50<br>.492 |
| 2-1470359-7 | 27       | 18.93<br>.745 | 14.10<br>.555 | 13.00<br>.511 |

| Part Number | Position | Dimension      |                |               |
|-------------|----------|----------------|----------------|---------------|
|             |          | A              | B              | C             |
| 2-1470359-8 | 28       | 19.43<br>.764  | 14.60<br>.574  | 13.50<br>.531 |
| 2-1470359-9 | 29       | 19.93<br>.784  | 15.10<br>.594  | 14.00<br>.551 |
| 3-1470359-0 | 30       | 20.43<br>.804  | 15.60<br>.614  | 14.50<br>.570 |
| 3-1470359-1 | 31       | 20.93<br>.824  | 16.10<br>.633  | 15.00<br>.590 |
| 3-1470359-2 | 32       | 21.43<br>.843  | 16.60<br>.653  | 15.50<br>.610 |
| 3-1470359-3 | 33       | 21.93<br>.863  | 17.10<br>.673  | 16.00<br>.629 |
| 3-1470359-4 | 34       | 22.43<br>.883  | 17.60<br>.692  | 16.50<br>.649 |
| 3-1470359-5 | 35       | 22.93<br>.902  | 18.10<br>.712  | 17.00<br>.669 |
| 3-1470359-6 | 36       | 23.43<br>.922  | 18.60<br>.732  | 17.50<br>.688 |
| 3-1470359-7 | 37       | 23.93<br>.942  | 19.10<br>.751  | 18.00<br>.708 |
| 3-1470359-8 | 38       | 24.43<br>.961  | 19.60<br>.771  | 18.50<br>.728 |
| 3-1470359-9 | 39       | 24.93<br>.981  | 20.10<br>.791  | 19.00<br>.748 |
| 4-1470359-0 | 40       | 25.43<br>1.001 | 20.60<br>.811  | 19.50<br>.767 |
| 4-1470359-1 | 41       | 25.93<br>1.020 | 21.10<br>.830  | 20.00<br>.787 |
| 4-1470359-2 | 42       | 26.43<br>1.040 | 21.60<br>.850  | 20.50<br>.807 |
| 4-1470359-3 | 43       | 26.93<br>1.060 | 22.10<br>.870  | 21.00<br>.826 |
| 4-1470359-4 | 44       | 27.43<br>1.079 | 22.60<br>.890  | 21.50<br>.846 |
| 4-1470359-5 | 45       | 27.93<br>1.099 | 23.10<br>.909  | 22.00<br>.866 |
| 4-1470359-6 | 46       | 28.43<br>1.119 | 23.60<br>.929  | 22.50<br>.885 |
| 4-1470359-7 | 47       | 28.93<br>1.138 | 24.10<br>.949  | 23.00<br>.905 |
| 4-1470359-8 | 48       | 29.43<br>1.158 | 24.60<br>.968  | 23.50<br>.925 |
| 4-1470359-9 | 49       | 29.93<br>1.178 | 25.10<br>.988  | 24.00<br>.944 |
| 5-1470359-0 | 50       | 30.43<br>1.198 | 25.60<br>1.008 | 24.50<br>.964 |

**Product Dimensions** (Continued)

**0.5 mm, FPC Connector,  
SMT, Bottom Contact**

**Part Number** 1470360  
**Lead Free** 1734592

**Material and Finish**

**Housing** — High temperature thermo-  
plastic, UL 94V-0, natural color

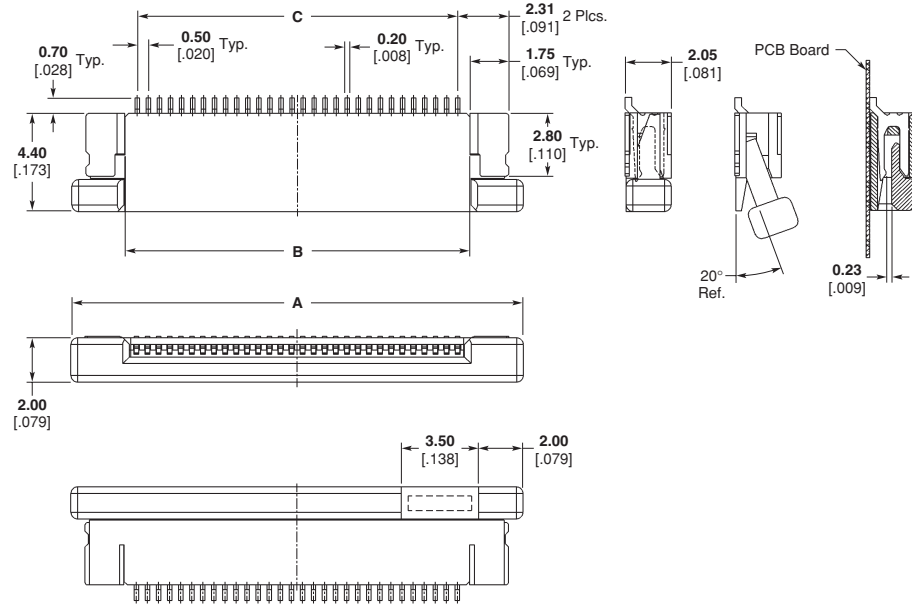
**Actuator** — Thermoplastic, UL 94V-0,  
ivory color

**Hold Down** — Phosphor bronze

**Contact** — Phosphor bronze

**Technical Documents**

**Product Specification** — 108-57238



**Recommended FPC Layout**



**Recommended PCB Layout**

**Product Dimensions** (Continued)

**0.5 mm, FPC Connector,  
SMT, Bottom Contact**

**Part Number 1470360  
Lead Free 1734592**

| Part Number | Position | Dimension     |               |               |
|-------------|----------|---------------|---------------|---------------|
|             |          | A             | B             | C             |
| 1470360-5   | 5        | 7.93<br>.312  | 3.10<br>.122  | 2.00<br>.078  |
| 1470360-6   | 6        | 8.43<br>.331  | 3.60<br>.141  | 2.50<br>.098  |
| 1470360-7   | 7        | 8.93<br>.351  | 4.10<br>.161  | 3.00<br>.118  |
| 1470360-8   | 8        | 9.43<br>.371  | 4.60<br>.181  | 3.50<br>.137  |
| 1470360-9   | 9        | 9.93<br>.390  | 5.10<br>.200  | 4.00<br>.157  |
| 1-1470360-0 | 10       | 10.43<br>.410 | 5.60<br>.220  | 4.50<br>.177  |
| 1-1470360-1 | 11       | 10.93<br>.430 | 6.10<br>.240  | 5.00<br>.196  |
| 1-1470360-2 | 12       | 11.43<br>.450 | 6.60<br>.259  | 5.50<br>.216  |
| 1-1470360-3 | 13       | 11.93<br>.469 | 7.10<br>.279  | 6.00<br>.236  |
| 1-1470360-4 | 14       | 12.43<br>.489 | 7.60<br>.299  | 6.50<br>.255  |
| 1-1470360-5 | 15       | 12.93<br>.509 | 8.10<br>.318  | 7.00<br>.275  |
| 1-1470360-6 | 16       | 13.43<br>.528 | 8.60<br>.338  | 7.50<br>.295  |
| 1-1470360-7 | 17       | 13.93<br>.548 | 9.10<br>.358  | 8.00<br>.314  |
| 1-1470360-8 | 18       | 14.43<br>.568 | 9.60<br>.377  | 8.50<br>.334  |
| 1-1470360-9 | 19       | 14.93<br>.587 | 10.10<br>.397 | 9.00<br>.354  |
| 2-1470360-0 | 20       | 15.43<br>.607 | 10.60<br>.417 | 9.50<br>.374  |
| 2-1470360-1 | 21       | 15.93<br>.627 | 11.10<br>.437 | 10.00<br>.393 |
| 2-1470360-2 | 22       | 16.43<br>.646 | 11.60<br>.456 | 10.50<br>.413 |
| 2-1470360-3 | 23       | 16.93<br>.666 | 12.10<br>.476 | 11.00<br>.433 |
| 2-1470360-4 | 24       | 17.43<br>.686 | 12.60<br>.496 | 11.50<br>.452 |
| 2-1470360-5 | 25       | 17.93<br>.705 | 13.10<br>.515 | 12.00<br>.472 |
| 2-1470360-6 | 26       | 18.43<br>.725 | 13.60<br>.535 | 12.50<br>.492 |
| 2-1470360-7 | 27       | 18.93<br>.745 | 14.10<br>.555 | 13.00<br>.511 |

| Part Number | Position | Dimension      |                |               |
|-------------|----------|----------------|----------------|---------------|
|             |          | A              | B              | C             |
| 2-1470360-8 | 28       | 19.43<br>.764  | 14.60<br>.574  | 13.50<br>.531 |
| 2-1470360-9 | 29       | 19.93<br>.784  | 15.10<br>.594  | 14.00<br>.551 |
| 3-1470360-0 | 30       | 20.43<br>.804  | 15.60<br>.614  | 14.50<br>.570 |
| 3-1470360-1 | 31       | 20.93<br>.824  | 16.10<br>.633  | 15.00<br>.590 |
| 3-1470360-2 | 32       | 21.43<br>.843  | 16.60<br>.653  | 15.50<br>.610 |
| 3-1470360-3 | 33       | 21.93<br>.863  | 17.10<br>.673  | 16.00<br>.629 |
| 3-1470360-4 | 34       | 22.43<br>.883  | 17.60<br>.692  | 16.50<br>.649 |
| 3-1470360-5 | 35       | 22.93<br>.902  | 18.10<br>.712  | 17.00<br>.669 |
| 3-1470360-6 | 36       | 23.43<br>.922  | 18.60<br>.732  | 17.50<br>.688 |
| 3-1470360-7 | 37       | 23.93<br>.942  | 19.10<br>.751  | 18.00<br>.708 |
| 3-1470360-8 | 38       | 24.43<br>.961  | 19.60<br>.771  | 18.50<br>.728 |
| 3-1470360-9 | 39       | 24.93<br>.981  | 20.10<br>.791  | 19.00<br>.748 |
| 4-1470360-0 | 40       | 25.43<br>1.001 | 20.60<br>.811  | 19.50<br>.767 |
| 4-1470360-1 | 41       | 25.93<br>1.020 | 21.10<br>.830  | 20.00<br>.787 |
| 4-1470360-2 | 42       | 26.43<br>1.040 | 21.60<br>.850  | 20.50<br>.807 |
| 4-1470360-3 | 43       | 26.93<br>1.060 | 22.10<br>.870  | 21.00<br>.826 |
| 4-1470360-4 | 44       | 27.43<br>1.079 | 22.60<br>.890  | 21.50<br>.846 |
| 4-1470360-5 | 45       | 27.93<br>1.099 | 23.10<br>.909  | 22.00<br>.866 |
| 4-1470360-6 | 46       | 28.43<br>1.119 | 23.60<br>.929  | 22.50<br>.885 |
| 4-1470360-7 | 47       | 28.93<br>1.138 | 24.10<br>.949  | 23.00<br>.905 |
| 4-1470360-8 | 48       | 29.43<br>1.158 | 24.60<br>.968  | 23.50<br>.925 |
| 4-1470360-9 | 49       | 29.93<br>1.178 | 25.10<br>.988  | 24.00<br>.944 |
| 5-1470360-0 | 50       | 30.43<br>1.198 | 25.60<br>1.008 | 24.50<br>.964 |

**Product Dimensions** (Continued)

**1.0 mm, FPC Connector,  
ZIF Vertical, SMT**

**Part Number 440347**  
**Lead Free 1734248**

**Material and Finish**

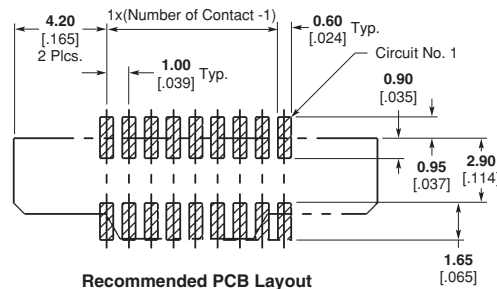
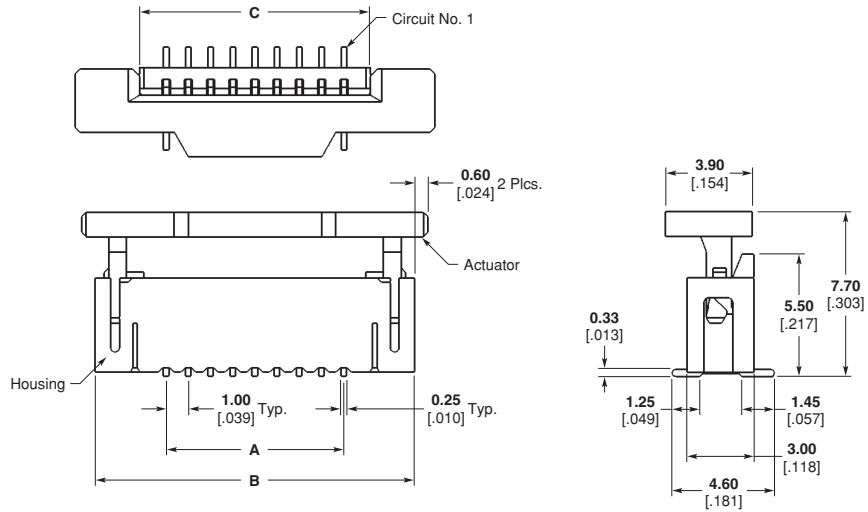
**Housing** — Thermoplastic, UL 94V-0, black color

**Actuator** — PPS, UL 94V-0, brown color

**Contact** — Phosphor bronze

**Technical Documents**

**Product Specification** — 108-57080





**Product Dimensions** (Continued)

**1.0 mm, FPC Connector,  
ZIF Vertical, SMT**

**Part Number 440347  
Lead Free 1734248**

| Part Number | Position | Dimension     |                |               |
|-------------|----------|---------------|----------------|---------------|
|             |          | A             | B              | C             |
| 440347-3    | 3        | 2.00<br>.078  | 8.60<br>.338   | 4.40<br>.173  |
| 440347-4    | 4        | 3.00<br>.118  | 9.60<br>.377   | 5.40<br>.212  |
| 440347-5    | 5        | 4.00<br>.157  | 10.60<br>.417  | 6.40<br>.251  |
| 440347-6    | 6        | 5.00<br>.197  | 11.60<br>.456  | 7.40<br>.291  |
| 440347-7    | 7        | 6.00<br>.236  | 12.60<br>.496  | 8.40<br>.330  |
| 440347-8    | 8        | 7.00<br>.276  | 13.60<br>.535  | 9.40<br>.370  |
| 440347-9    | 9        | 8.00<br>.315  | 14.60<br>.574  | 10.40<br>.409 |
| 440347-0    | 10       | 9.00<br>.354  | 15.60<br>.614  | 11.40<br>.448 |
| 1-440347-1  | 11       | 10.00<br>.394 | 16.60<br>.653  | 12.40<br>.488 |
| 1-440347-2  | 12       | 11.00<br>.433 | 17.60<br>.692  | 13.40<br>.527 |
| 1-440347-3  | 13       | 12.00<br>.472 | 18.60<br>.732  | 14.40<br>.566 |
| 1-440347-4  | 14       | 13.00<br>.512 | 19.60<br>.771  | 15.40<br>.606 |
| 1-440347-5  | 15       | 14.00<br>.551 | 20.60<br>.811  | 16.40<br>.645 |
| 1-440347-6  | 16       | 15.00<br>.591 | 21.60<br>.850  | 17.40<br>.685 |
| 1-440347-7  | 17       | 16.00<br>.630 | 22.60<br>.889  | 18.40<br>.724 |
| 1-440347-8  | 18       | 17.00<br>.669 | 23.60<br>.929  | 19.40<br>.763 |
| 1-440347-9  | 19       | 18.00<br>.709 | 24.60<br>.968  | 20.40<br>.803 |
| 2-440347-0  | 20       | 19.00<br>.748 | 25.60<br>1.007 | 21.40<br>.842 |
| 2-440347-1  | 21       | 20.00<br>.787 | 26.60<br>1.047 | 22.40<br>.881 |

| Part Number | Position | Dimension      |                |                |
|-------------|----------|----------------|----------------|----------------|
|             |          | A              | B              | C              |
| 2-440347-2  | 22       | 21.00<br>.827  | 27.60<br>1.086 | 23.40<br>.921  |
| 2-440347-3  | 23       | 22.00<br>.866  | 28.60<br>1.125 | 24.40<br>.960  |
| 2-440347-4  | 24       | 23.00<br>.906  | 29.60<br>1.165 | 25.40<br>1.000 |
| 2-440347-5  | 25       | 24.00<br>.945  | 30.60<br>1.204 | 26.40<br>1.039 |
| 2-440347-6  | 26       | 25.00<br>.984  | 31.60<br>1.244 | 27.40<br>1.078 |
| 2-440347-7  | 27       | 26.00<br>1.024 | 32.60<br>1.283 | 28.40<br>1.118 |
| 2-440347-8  | 28       | 27.00<br>1.063 | 33.60<br>1.322 | 29.40<br>1.157 |
| 2-440347-9  | 29       | 28.00<br>1.102 | 34.60<br>1.362 | 30.40<br>1.196 |
| 3-440347-0  | 30       | 29.00<br>1.142 | 35.60<br>1.401 | 31.40<br>1.236 |
| 3-440347-1  | 31       | 30.00<br>1.181 | 36.60<br>1.440 | 32.40<br>1.275 |
| 3-440347-2  | 32       | 31.00<br>1.221 | 37.60<br>1.480 | 33.40<br>1.314 |
| 3-440347-3  | 33       | 32.00<br>1.259 | 38.60<br>1.519 | 34.40<br>1.354 |
| 3-440347-4  | 34       | 33.00<br>1.299 | 39.60<br>1.559 | 35.40<br>1.393 |
| 3-440347-5  | 35       | 34.00<br>1.338 | 40.60<br>1.598 | 36.40<br>1.433 |
| 3-440347-6  | 36       | 35.00<br>1.377 | 41.60<br>1.637 | 37.40<br>1.472 |
| 3-440347-7  | 37       | 36.00<br>1.417 | 42.60<br>1.677 | 38.40<br>1.511 |
| 3-440347-8  | 38       | 37.00<br>1.456 | 43.60<br>1.716 | 39.40<br>1.551 |
| 3-440347-9  | 39       | 38.00<br>1.496 | 44.60<br>1.755 | 40.40<br>1.590 |
| 4-440347-0  | 40       | 39.00<br>1.535 | 45.60<br>1.795 | 41.40<br>1.629 |

**Product Dimensions** (Continued)

**1.0 mm, FPC Connector,  
Right Angle, SMT, Top  
Contact**

**Part Number** 487951  
**Lead Free** 84953

**Material and Finish**

**Housing** — Glass reinforced polyester (LCP), UL 94V-0, natural color

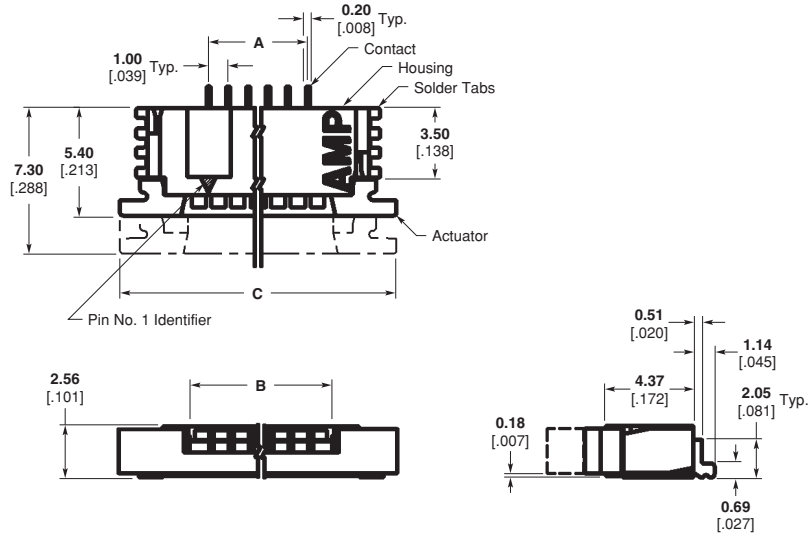
**Actuator** — Glass reinforced nylon (PPA), UL 94V-0, or glass reinforced PPS, UL 94V-0, black color

**Solder Tabs** — Phosphor bronze

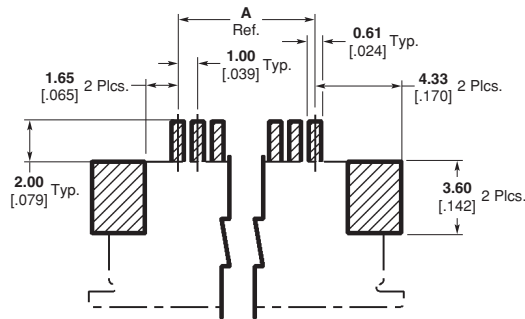
**Contact** — Phosphor bronze

**Technical Documents**

**Product Specification** — 108-1393



**Recommended FPC Layout**



**Recommended PCB Layout**

1.0 mm, FPC Connector,  
Right Angle, SMT, Top  
Contact

Part Number **487951**  
Lead Free **84953**

Technical Documents  
Product Specification — 108-1393

**Product Dimensions** (Continued)

| Part Number | Positions | Dimension      |                |                |                |              |
|-------------|-----------|----------------|----------------|----------------|----------------|--------------|
|             |           | A              | B              | C              | D              | E            |
| 84953-4     | 4         | 3.00<br>.118   | 5.18<br>.204   | 11.92<br>.469  | 5.00<br>.197   | 0.50<br>.019 |
| 84953-5     | 5         | 4.00<br>.157   | 6.18<br>.243   | 12.92<br>.509  | 6.00<br>.236   | —            |
| 84953-6     | 6         | 5.00<br>.197   | 7.18<br>.283   | 13.92<br>.548  | 7.00<br>.276   | 0.50<br>.019 |
| 84953-7     | 7         | 6.00<br>.236   | 8.18<br>.322   | 14.92<br>.587  | 8.00<br>.315   | —            |
| 84953-8     | 8         | 7.00<br>.276   | 9.18<br>.361   | 15.92<br>.627  | 9.00<br>.354   | 0.50<br>.019 |
| 84953-9     | 9         | 8.00<br>.315   | 10.18<br>.401  | 16.92<br>.666  | 10.00<br>.394  | —            |
| 1-84953-0   | 10        | 9.00<br>.354   | 11.18<br>.440  | 17.92<br>.705  | 11.00<br>.433  | 0.50<br>.019 |
| 1-84953-1   | 11        | 10.00<br>.394  | 12.18<br>.480  | 18.92<br>.745  | 12.00<br>.472  | —            |
| 1-84953-2   | 12        | 11.00<br>.433  | 13.18<br>.519  | 19.92<br>.784  | 13.00<br>.512  | 0.50<br>.019 |
| 1-84953-3   | 13        | 12.00<br>.472  | 14.18<br>.558  | 20.92<br>.824  | 14.00<br>.551  | —            |
| 1-84953-4   | 14        | 13.00<br>.512  | 15.18<br>.598  | 21.92<br>.863  | 15.00<br>.591  | 0.50<br>.019 |
| 1-84953-5   | 15        | 14.00<br>.551  | 16.18<br>.637  | 22.92<br>.902  | 16.00<br>.630  | —            |
| 1-84953-6   | 16        | 15.00<br>.591  | 17.18<br>.676  | 23.92<br>.942  | 17.00<br>.669  | 0.50<br>.019 |
| 1-84953-7   | 17        | 16.00<br>.630  | 18.18<br>.716  | 24.92<br>.981  | 18.00<br>.709  | —            |
| 1-84953-8   | 18        | 17.00<br>.669  | 19.18<br>.755  | 25.92<br>1.020 | 19.00<br>.748  | 0.50<br>.019 |
| 1-84953-9   | 19        | 18.00<br>.709  | 20.18<br>.794  | 26.92<br>1.060 | 20.00<br>.787  | —            |
| 2-84953-0   | 20        | 19.00<br>.748  | 21.18<br>.834  | 27.92<br>1.099 | 21.00<br>.827  | 0.50<br>.019 |
| 2-84953-1   | 21        | 20.00<br>.787  | 22.18<br>.873  | 28.92<br>1.139 | 22.00<br>.866  | —            |
| 2-84953-2   | 22        | 21.00<br>.827  | 23.18<br>.913  | 29.92<br>1.179 | 23.00<br>.906  | 0.50<br>.019 |
| 2-84953-3   | 23        | 22.00<br>.866  | 24.18<br>.952  | 30.92<br>1.217 | 24.00<br>.945  | —            |
| 2-84953-4   | 24        | 23.00<br>.906  | 25.18<br>.991  | 31.92<br>1.257 | 25.00<br>.984  | 0.50<br>.019 |
| 2-84953-5   | 25        | 24.00<br>.945  | 26.18<br>1.031 | 32.92<br>1.296 | 26.00<br>1.024 | —            |
| 2-84953-6   | 26        | 25.00<br>.984  | 27.18<br>1.070 | 33.92<br>1.335 | 27.00<br>1.063 | 0.50<br>.019 |
| 2-84953-7   | 27        | 26.00<br>1.024 | 28.18<br>1.109 | 34.92<br>1.375 | 28.00<br>1.102 | —            |
| 2-84953-8   | 28        | 27.00<br>1.063 | 29.18<br>1.149 | 35.92<br>1.414 | 29.00<br>1.142 | 0.50<br>.019 |
| 2-84953-9   | 29        | 28.00<br>1.102 | 30.18<br>1.188 | 36.92<br>1.454 | 30.00<br>1.181 | —            |
| 3-84953-0   | 30        | 29.00<br>1.142 | 31.18<br>1.228 | 37.92<br>1.492 | 31.00<br>1.221 | 0.50<br>.019 |

**Product Dimensions** (Continued)

**1.0 mm, FPC Connector,  
Right Angle, SMT, Bottom  
Contact**

**Part Number** 487952  
**Lead Free** 84952

**Material and Finish**

**Housing** — Glass reinforced polyester (LCP), UL 94V-0, natural color

**Actuator** — Glass reinforced nylon (PPA), UL 94V-0, or glass reinforced PPS, UL 94V-0, black color

**Solder Tabs** — Phosphor bronze

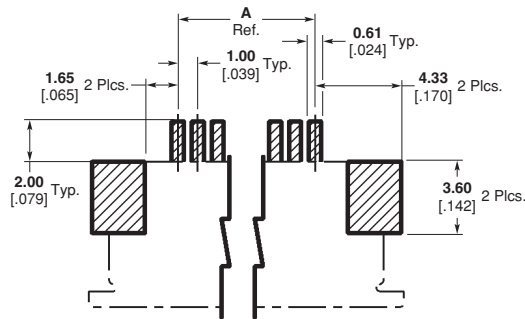
**Contact** — Phosphor bronze

**Technical Documents**

**Product Specification** — 108-1393



**Recommended FPC Layout**



**Recommended PCB Layout**

1.0 mm, FPC Connector,  
Right Angle, SMT, Bottom  
Contact

Part Number 487952  
Lead Free 84952

Technical Documents  
Product Specification — 108-1393

**Product Dimensions** (Continued)

| Part Number | Positions | Dimension      |                |                |                |              |
|-------------|-----------|----------------|----------------|----------------|----------------|--------------|
|             |           | A              | B              | C              | D              | E            |
| 84952-4     | 4         | 3.00<br>.118   | 5.18<br>.204   | 11.92<br>.469  | 5.00<br>.197   | 0.50<br>.019 |
| 84952-5     | 5         | 4.00<br>.157   | 6.18<br>.243   | 12.92<br>.509  | 6.00<br>.236   | —            |
| 84952-6     | 6         | 5.00<br>.197   | 7.18<br>.283   | 13.92<br>.548  | 7.00<br>.276   | 0.50<br>.019 |
| 84952-7     | 7         | 6.00<br>.236   | 8.18<br>.322   | 14.92<br>.587  | 8.00<br>.315   | —            |
| 84952-8     | 8         | 7.00<br>.276   | 9.18<br>.361   | 15.92<br>.627  | 9.00<br>.354   | 0.50<br>.019 |
| 84952-9     | 9         | 8.00<br>.315   | 10.18<br>.401  | 16.92<br>.666  | 10.00<br>.394  | —            |
| 1-84952-0   | 10        | 9.00<br>.354   | 11.18<br>.440  | 17.92<br>.705  | 11.00<br>.433  | 0.50<br>.019 |
| 1-84952-1   | 11        | 10.00<br>.394  | 12.18<br>.480  | 18.92<br>.745  | 12.00<br>.472  | —            |
| 1-84952-2   | 12        | 11.00<br>.433  | 13.18<br>.519  | 19.92<br>.784  | 13.00<br>.512  | 0.50<br>.019 |
| 1-84952-3   | 13        | 12.00<br>.472  | 14.18<br>.558  | 20.92<br>.824  | 14.00<br>.551  | —            |
| 1-84952-4   | 14        | 13.00<br>.512  | 15.18<br>.598  | 21.92<br>.863  | 15.00<br>.591  | 0.50<br>.019 |
| 1-84952-5   | 15        | 14.00<br>.551  | 16.18<br>.637  | 22.92<br>.902  | 16.00<br>.630  | —            |
| 1-84952-6   | 16        | 15.00<br>.591  | 17.18<br>.676  | 23.92<br>.942  | 17.00<br>.669  | 0.50<br>.019 |
| 1-84952-7   | 17        | 16.00<br>.630  | 18.18<br>.716  | 24.92<br>.981  | 18.00<br>.709  | —            |
| 1-84952-8   | 18        | 17.00<br>.669  | 19.18<br>.755  | 25.92<br>1.020 | 19.00<br>.748  | 0.50<br>.019 |
| 1-84952-9   | 19        | 18.00<br>.709  | 20.18<br>.794  | 26.92<br>1.060 | 20.00<br>.787  | —            |
| 2-84952-0   | 20        | 19.00<br>.748  | 21.18<br>.834  | 27.92<br>1.099 | 21.00<br>.827  | 0.50<br>.019 |
| 2-84952-1   | 21        | 20.00<br>.787  | 22.18<br>.873  | 28.92<br>1.139 | 22.00<br>.866  | —            |
| 2-84952-2   | 22        | 21.00<br>.827  | 23.18<br>.913  | 29.92<br>1.179 | 23.00<br>.906  | 0.50<br>.019 |
| 2-84952-3   | 23        | 22.00<br>.866  | 24.18<br>.952  | 30.92<br>1.217 | 24.00<br>.945  | —            |
| 2-84952-4   | 24        | 23.00<br>.906  | 25.18<br>.991  | 31.92<br>1.257 | 25.00<br>.984  | 0.50<br>.019 |
| 2-84952-5   | 25        | 24.00<br>.945  | 26.18<br>1.031 | 32.92<br>1.296 | 26.00<br>1.024 | —            |
| 2-84952-6   | 26        | 25.00<br>.984  | 27.18<br>1.070 | 33.92<br>1.335 | 27.00<br>1.063 | 0.50<br>.019 |
| 2-84952-7   | 27        | 26.00<br>1.024 | 28.18<br>1.109 | 34.92<br>1.375 | 28.00<br>1.102 | —            |
| 2-84952-8   | 28        | 27.00<br>1.063 | 29.18<br>1.149 | 35.92<br>1.414 | 29.00<br>1.142 | 0.50<br>.019 |
| 2-84952-9   | 29        | 28.00<br>1.102 | 30.18<br>1.188 | 36.92<br>1.454 | 30.00<br>1.181 | —            |
| 3-84952-0   | 30        | 29.00<br>1.142 | 31.18<br>1.228 | 37.92<br>1.492 | 31.00<br>1.221 | 0.50<br>.019 |

**Product Dimensions** (Continued)

**1.0 mm, FFC Connector,  
SMT, Vertical, (Non-ZIF)**

**Lead Free 84982**

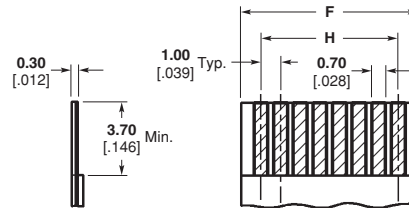
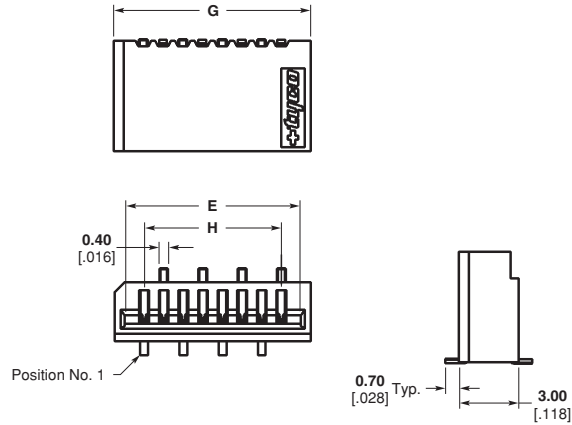
**Material and Finish**

**Housing** — Glass filled high temperature nylon, beige color

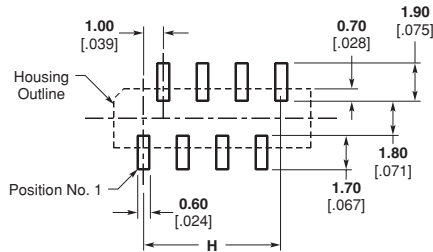
**Contact** — Phosphor bronze

**Technical Documents**

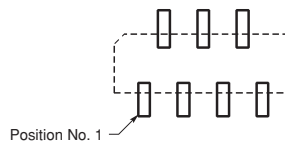
**Product Specification** — 108-51054



**Recommended FFC/FPC Layout**



**Recommended PCB Layout  
For Even Position Connectors**



**Recommended PCB Layout  
For Odd Position Connectors**



Electronics

1.0 mm, FFC Connector,  
SMT, Vertical, (Non-ZIF)

Lead Free **84982**

Technical Documents  
Product Specification — 108-51054

FPC Connector Family



**Product Dimensions** (Continued)

| Part Number | No. of Contacts | Dimension      |                |                |                |
|-------------|-----------------|----------------|----------------|----------------|----------------|
|             |                 | E              | F              | G              | H              |
| 84982-4     | 4               | 5.00<br>.197   | 5.00<br>.197   | 6.00<br>.236   | 3.00<br>.118   |
| 84982-5     | 5               | 6.00<br>.236   | 6.00<br>.236   | 7.00<br>.276   | 4.00<br>.157   |
| 84982-6     | 6               | 7.00<br>.276   | 7.00<br>.276   | 8.00<br>.315   | 5.00<br>.197   |
| 84982-7     | 7               | 8.00<br>.315   | 8.00<br>.315   | 9.00<br>.354   | 6.00<br>.236   |
| 84982-8     | 8               | 9.00<br>.354   | 9.00<br>.354   | 10.00<br>.394  | 7.00<br>.276   |
| 84982-9     | 9               | 10.00<br>.394  | 10.00<br>.394  | 11.00<br>.433  | 8.00<br>.315   |
| 1-84982-0   | 10              | 11.00<br>.433  | 11.00<br>.433  | 12.00<br>.472  | 9.00<br>.354   |
| 1-84982-1   | 11              | 12.00<br>.472  | 12.00<br>.472  | 13.00<br>.512  | 10.00<br>.394  |
| 1-84982-2   | 12              | 13.00<br>.512  | 13.00<br>.512  | 14.00<br>.551  | 11.00<br>.433  |
| 1-84982-3   | 13              | 14.00<br>.551  | 14.00<br>.551  | 15.00<br>.591  | 12.00<br>.472  |
| 1-84982-4   | 14              | 15.00<br>.591  | 15.00<br>.591  | 16.00<br>.630  | 13.00<br>.512  |
| 1-84982-5   | 15              | 16.00<br>.630  | 16.00<br>.630  | 17.00<br>.669  | 14.00<br>.551  |
| 1-84982-6   | 16              | 17.00<br>.669  | 17.00<br>.669  | 18.00<br>.709  | 15.00<br>.591  |
| 1-84982-7   | 17              | 18.00<br>.709  | 18.00<br>.709  | 19.00<br>.748  | 16.00<br>.630  |
| 1-84982-8   | 18              | 19.00<br>.748  | 19.00<br>.748  | 20.00<br>.787  | 17.00<br>.669  |
| 1-84982-9   | 19              | 20.00<br>.787  | 20.00<br>.787  | 21.00<br>.827  | 18.00<br>.709  |
| 2-84982-0   | 20              | 21.00<br>.827  | 21.00<br>.827  | 22.00<br>.866  | 19.00<br>.748  |
| 2-84982-1   | 21              | 22.00<br>.866  | 22.00<br>.866  | 23.00<br>.906  | 20.00<br>.787  |
| 2-84982-2   | 22              | 23.00<br>.906  | 23.00<br>.906  | 24.00<br>.945  | 21.00<br>.827  |
| 2-84982-3   | 23              | 24.00<br>.945  | 24.00<br>.945  | 25.00<br>.984  | 22.00<br>.866  |
| 2-84982-4   | 24              | 25.00<br>.984  | 25.00<br>.984  | 26.00<br>1.024 | 23.00<br>.906  |
| 2-84982-5   | 25              | 26.00<br>1.024 | 26.00<br>1.024 | 27.00<br>1.063 | 24.00<br>.945  |
| 2-84982-6   | 26              | 27.00<br>1.063 | 27.00<br>1.063 | 28.00<br>1.102 | 25.00<br>.984  |
| 2-84982-7   | 27              | 28.00<br>1.102 | 28.00<br>1.102 | 29.00<br>1.142 | 26.00<br>1.024 |
| 2-84982-8   | 28              | 29.00<br>1.142 | 29.00<br>1.142 | 30.00<br>1.181 | 27.00<br>1.063 |
| 2-84982-9   | 29              | 30.00<br>1.181 | 30.00<br>1.181 | 31.00<br>1.221 | 28.00<br>1.102 |
| 3-84982-0   | 30              | 31.00<br>1.221 | 31.00<br>1.221 | 32.00<br>1.259 | 29.00<br>1.142 |
| 3-84982-1   | 31              | 32.00<br>1.259 | 32.00<br>1.259 | 33.00<br>1.299 | 30.00<br>1.181 |
| 3-84982-2   | 32              | 33.00<br>1.299 | 33.00<br>1.299 | 34.00<br>1.338 | 31.00<br>1.221 |
| 3-84982-3   | 33              | 34.00<br>1.338 | 34.00<br>1.338 | 35.00<br>1.377 | 32.00<br>1.259 |
| 3-84982-4   | 34              | 35.00<br>1.377 | 35.00<br>1.377 | 36.00<br>1.417 | 33.00<br>1.299 |
| 3-84982-5   | 35              | 36.00<br>1.417 | 36.00<br>1.417 | 37.00<br>1.456 | 34.00<br>1.338 |
| 3-84982-6   | 36              | 37.00<br>1.456 | 37.00<br>1.456 | 38.00<br>1.496 | 35.00<br>1.377 |
| 3-84982-7   | 37              | 38.00<br>1.496 | 38.00<br>1.496 | 39.00<br>1.535 | 36.00<br>1.417 |
| 3-84982-8   | 38              | 39.00<br>1.535 | 39.00<br>1.535 | 40.00<br>1.574 | 37.00<br>1.456 |
| 3-84982-9   | 39              | 40.00<br>1.574 | 40.00<br>1.574 | 41.00<br>1.614 | 38.00<br>1.496 |
| 4-84982-0   | 40              | 41.00<br>1.614 | 41.00<br>1.614 | 42.00<br>1.653 | 39.00<br>1.535 |

**Product Dimensions** (Continued)

**1.0 mm, FFC Connector, SMT, Right Angle, Non-ZIF**

**Lead Free 84981**

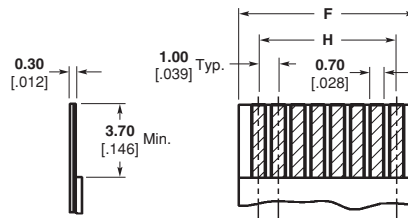
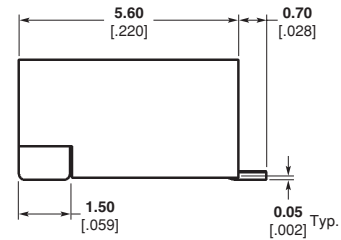
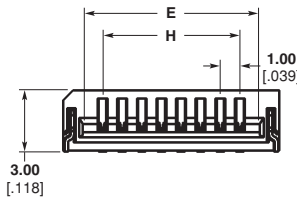
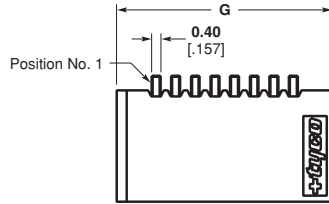
**Material and Finish**

**Housing** — Glass filled high temperature nylon, beige color

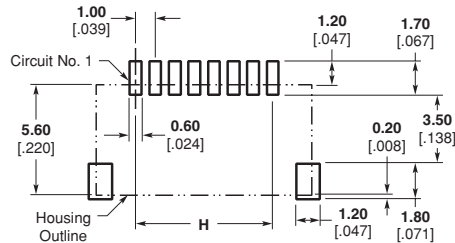
**Contact** — Phosphor bronze

**Technical Documents**

**Product Specification** — 108-51054



**Recommended FFC/FPC Layout**



**Recommended PCB Layout**





Electronics

1.0 mm, FFC Connector,  
SMT, Right Angle, Non-ZIF

Lead Free 84981

Technical Documents  
Product Specification — 108-51054

FPC Connector Family



Product Dimensions (Continued)

| Part Number | No. of Contacts | Dimension      |                |                |                |
|-------------|-----------------|----------------|----------------|----------------|----------------|
|             |                 | E              | F              | G              | H              |
| 84981-4     | 4               | 5.00<br>.197   | 5.00<br>.197   | 7.00<br>.276   | 3.00<br>.118   |
| 84981-5     | 5               | 6.00<br>.236   | 6.00<br>.236   | 8.00<br>.315   | 4.00<br>.157   |
| 84981-6     | 6               | 7.00<br>.276   | 7.00<br>.276   | 9.00<br>.354   | 5.00<br>.197   |
| 84981-7     | 7               | 8.00<br>.315   | 8.00<br>.315   | 10.00<br>.394  | 6.00<br>.236   |
| 84981-8     | 8               | 9.00<br>.354   | 9.00<br>.354   | 11.00<br>.433  | 7.00<br>.276   |
| 84981-9     | 9               | 10.00<br>.394  | 10.00<br>.394  | 12.00<br>.472  | 8.00<br>.315   |
| 1-84981-0   | 10              | 11.00<br>.433  | 11.00<br>.433  | 13.00<br>.512  | 9.00<br>.354   |
| 1-84981-1   | 11              | 12.00<br>.472  | 12.00<br>.472  | 14.00<br>.551  | 10.00<br>.394  |
| 1-84981-2   | 12              | 13.00<br>.512  | 13.00<br>.512  | 15.00<br>.591  | 11.00<br>.433  |
| 1-84981-3   | 13              | 14.00<br>.551  | 14.00<br>.551  | 16.00<br>.630  | 12.00<br>.472  |
| 1-84981-4   | 14              | 15.00<br>.591  | 15.00<br>.591  | 17.00<br>.669  | 13.00<br>.512  |
| 1-84981-5   | 15              | 16.00<br>.630  | 16.00<br>.630  | 18.00<br>.709  | 14.00<br>.551  |
| 1-84981-6   | 16              | 17.00<br>.669  | 17.00<br>.669  | 19.00<br>.748  | 15.00<br>.591  |
| 1-84981-7   | 17              | 18.00<br>.709  | 18.00<br>.709  | 20.00<br>.787  | 16.00<br>.630  |
| 1-84981-8   | 18              | 19.00<br>.748  | 19.00<br>.748  | 21.00<br>.827  | 17.00<br>.669  |
| 1-84981-9   | 19              | 20.00<br>.787  | 20.00<br>.787  | 22.00<br>.866  | 18.00<br>.709  |
| 2-84981-0   | 20              | 21.00<br>.827  | 21.00<br>.827  | 23.00<br>.906  | 19.00<br>.748  |
| 2-84981-1   | 21              | 22.00<br>.866  | 22.00<br>.866  | 24.00<br>.945  | 20.00<br>.787  |
| 2-84981-2   | 22              | 23.00<br>.906  | 23.00<br>.906  | 25.00<br>.984  | 21.00<br>.827  |
| 2-84981-3   | 23              | 24.00<br>.945  | 24.00<br>.945  | 26.00<br>1.024 | 22.00<br>.866  |
| 2-84981-4   | 24              | 25.00<br>.984  | 25.00<br>.984  | 27.00<br>1.063 | 23.00<br>.906  |
| 2-84981-5   | 25              | 26.00<br>1.024 | 26.00<br>1.024 | 28.00<br>1.102 | 24.00<br>.945  |
| 2-84981-6   | 26              | 27.00<br>1.063 | 27.00<br>1.063 | 29.00<br>1.142 | 25.00<br>.984  |
| 2-84981-7   | 27              | 28.00<br>1.102 | 28.00<br>1.102 | 30.00<br>1.181 | 26.00<br>1.024 |
| 2-84981-8   | 28              | 29.00<br>1.142 | 29.00<br>1.142 | 31.00<br>1.221 | 27.00<br>1.063 |
| 2-84981-9   | 29              | 30.00<br>1.181 | 30.00<br>1.181 | 32.00<br>1.259 | 28.00<br>1.102 |
| 3-84981-0   | 30              | 31.00<br>1.221 | 31.00<br>1.221 | 33.00<br>1.299 | 29.00<br>1.142 |
| 3-84981-1   | 31              | 32.00<br>1.259 | 32.00<br>1.259 | 34.00<br>1.338 | 30.00<br>1.181 |
| 3-84981-2   | 32              | 33.00<br>1.299 | 33.00<br>1.299 | 35.00<br>1.377 | 31.00<br>1.221 |
| 3-84981-3   | 33              | 34.00<br>1.338 | 34.00<br>1.338 | 36.00<br>1.417 | 32.00<br>1.259 |
| 3-84981-4   | 34              | 35.00<br>1.377 | 35.00<br>1.377 | 37.00<br>1.456 | 33.00<br>1.299 |
| 3-84981-5   | 35              | 36.00<br>1.417 | 36.00<br>1.417 | 38.00<br>1.496 | 34.00<br>1.338 |
| 3-84981-6   | 36              | 37.00<br>1.456 | 37.00<br>1.456 | 39.00<br>1.535 | 35.00<br>1.377 |
| 3-84981-7   | 37              | 38.00<br>1.496 | 38.00<br>1.496 | 40.00<br>1.574 | 36.00<br>1.417 |
| 3-84981-8   | 38              | 39.00<br>1.535 | 39.00<br>1.535 | 41.00<br>1.614 | 37.00<br>1.456 |
| 3-84981-9   | 39              | 40.00<br>1.574 | 40.00<br>1.574 | 42.00<br>1.653 | 38.00<br>1.496 |
| 4-84981-0   | 40              | 41.00<br>1.614 | 41.00<br>1.614 | 43.00<br>1.692 | 39.00<br>1.535 |

**Product Dimensions** (Continued)

**1.0 mm, FPC Connector,  
Non-ZIF, SMT, Right Angle,  
Bottom Contact**

**Part Number** 1470852  
**Lead Free** 1734798

**Material and Finish**

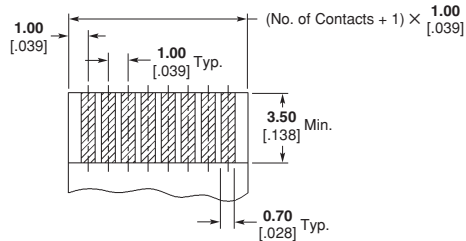
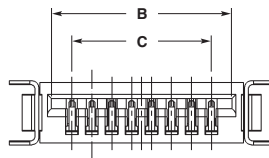
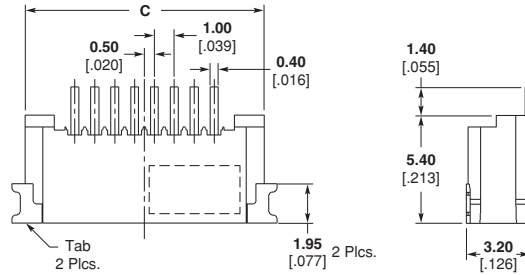
**Housing** — Thermoplastic, UL 94V-0,  
black color

**Tabs** — Brass

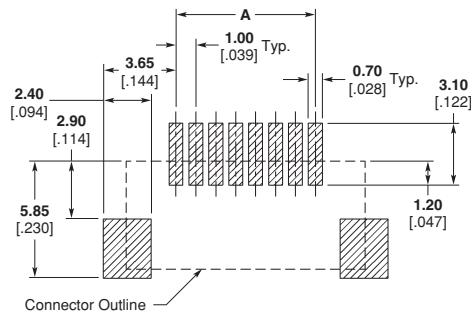
**Contact** — Phosphor bronze

**Technical Documents**

**Product Specification** — 108-57354



**Recommended FPC Layout**



**Recommended PCB Layout**

**1.0 mm, FPC Connector,  
Non-ZIF, SMT, Right Angle,  
Bottom Contact**

**Part Number 1470852  
Lead Free 1734798**

**Technical Documents**  
Product Specification — 108-57354

**Product Dimensions** (Continued)

| Part Number | Position | Dimension      |                |                |
|-------------|----------|----------------|----------------|----------------|
|             |          | A              | B              | C              |
| 1470852-4   | 4        | 3.00<br>.118   | 5.05<br>.198   | 7.00<br>.276   |
| 1470852-5   | 5        | 4.00<br>.157   | 6.05<br>.238   | 8.00<br>.315   |
| 1470852-6   | 6        | 5.00<br>.197   | 7.05<br>.277   | 9.00<br>.354   |
| 1470852-7   | 7        | 6.00<br>.236   | 8.05<br>.316   | 10.00<br>.394  |
| 1470852-8   | 8        | 7.00<br>.276   | 9.05<br>.356   | 11.00<br>.433  |
| 1470852-9   | 9        | 8.00<br>.315   | 10.05<br>.395  | 12.00<br>.472  |
| 1-1470852-0 | 10       | 9.00<br>.354   | 11.05<br>.435  | 13.00<br>.512  |
| 1-1470852-1 | 11       | 10.00<br>.394  | 12.05<br>.474  | 14.00<br>.551  |
| 1-1470852-2 | 12       | 11.00<br>.433  | 13.05<br>.513  | 15.00<br>.591  |
| 1-1470852-3 | 13       | 12.00<br>.472  | 14.05<br>.553  | 16.00<br>.630  |
| 1-1470852-4 | 14       | 13.00<br>.512  | 15.05<br>.592  | 17.00<br>.669  |
| 1-1470852-5 | 15       | 14.00<br>.551  | 16.05<br>.631  | 18.00<br>.709  |
| 1-1470852-6 | 16       | 15.00<br>.591  | 17.05<br>.671  | 19.00<br>.748  |
| 1-1470852-7 | 17       | 16.00<br>.630  | 18.05<br>.710  | 20.00<br>.787  |
| 1-1470852-8 | 18       | 17.00<br>.669  | 19.05<br>.750  | 21.00<br>.827  |
| 1-1470852-9 | 19       | 18.00<br>.709  | 20.05<br>.788  | 22.00<br>.866  |
| 2-1470852-0 | 20       | 19.00<br>.748  | 21.05<br>.828  | 23.00<br>.906  |
| 2-1470852-1 | 21       | 20.00<br>.787  | 22.05<br>.857  | 24.00<br>.945  |
| 2-1470852-2 | 22       | 21.00<br>.827  | 23.05<br>.907  | 25.00<br>.984  |
| 2-1470852-3 | 23       | 22.00<br>.866  | 24.05<br>.946  | 26.00<br>1.024 |
| 2-1470852-4 | 24       | 23.00<br>.906  | 25.05<br>.986  | 27.00<br>1.063 |
| 2-1470852-5 | 25       | 24.00<br>.945  | 26.05<br>1.025 | 28.00<br>1.102 |
| 2-1470852-6 | 26       | 25.00<br>.984  | 27.05<br>1.064 | 29.00<br>1.142 |
| 2-1470852-7 | 27       | 26.00<br>1.024 | 28.05<br>1.104 | 30.00<br>1.181 |
| 2-1470852-8 | 28       | 27.00<br>1.063 | 29.05<br>1.143 | 31.00<br>1.220 |
| 2-1470852-9 | 29       | 28.00<br>1.102 | 30.05<br>1.183 | 32.00<br>1.259 |
| 3-1470852-0 | 30       | 29.00<br>1.142 | 31.05<br>1.222 | 33.00<br>1.299 |

**Product Dimensions** (Continued)

**1.0 mm, FFC Connector, Through-Hole, Vertical**

**Lead Free 84984**

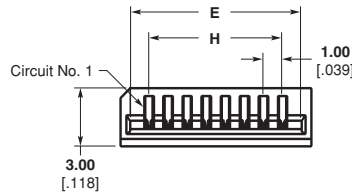
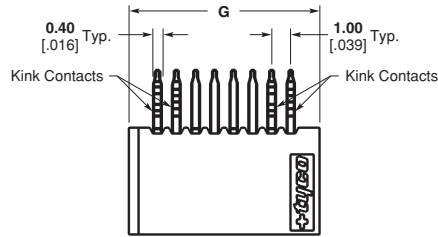
**Material and Finish**

**Housing** — Glass filled PBT, white color

**Contact** — Phosphor bronze

**Technical Documents**

**Product Specification** — 108-51058



**Recommended FPC Layout**



**Recommended PCB Layout  
1.60 [.063] Thickness  
(For Even Position Connectors)**



**Recommended PCB Layout  
1.60 [.063] Thickness  
(For Odd Position Connectors)**



Electronics

1.0 mm, FFC Connector, Through-Hole, Vertical

Lead Free 84984

Technical Documents  
Product Specification — 108-51058

FPC Connector Family



Product Dimensions (Continued)

| Part Number | No. of Contacts | Dimension      |                |                |                |
|-------------|-----------------|----------------|----------------|----------------|----------------|
|             |                 | E              | F              | G              | H              |
| 84984-4     | 4               | 5.00<br>.197   | 5.00<br>.197   | 6.00<br>.236   | 3.00<br>.118   |
| 84984-5     | 5               | 6.00<br>.236   | 6.00<br>.236   | 7.00<br>.276   | 4.00<br>.157   |
| 84984-6     | 6               | 7.00<br>.276   | 7.00<br>.276   | 8.00<br>.315   | 5.00<br>.197   |
| 84984-7     | 7               | 8.00<br>.315   | 8.00<br>.315   | 9.00<br>.354   | 6.00<br>.236   |
| 84984-8     | 8               | 9.00<br>.354   | 9.00<br>.354   | 10.00<br>.394  | 7.00<br>.276   |
| 84984-9     | 9               | 10.00<br>.394  | 10.00<br>.394  | 11.00<br>.433  | 8.00<br>.315   |
| 1-84984-0   | 10              | 11.00<br>.433  | 11.00<br>.433  | 12.00<br>.472  | 9.00<br>.354   |
| 1-84984-1   | 11              | 12.00<br>.472  | 12.00<br>.472  | 13.00<br>.512  | 10.00<br>.394  |
| 1-84984-2   | 12              | 13.00<br>.512  | 13.00<br>.512  | 14.00<br>.551  | 11.00<br>.433  |
| 1-84984-3   | 13              | 14.00<br>.551  | 14.00<br>.551  | 15.00<br>.591  | 12.00<br>.472  |
| 1-84984-4   | 14              | 15.00<br>.591  | 15.00<br>.591  | 16.00<br>.630  | 13.00<br>.512  |
| 1-84984-5   | 15              | 16.00<br>.630  | 16.00<br>.630  | 17.00<br>.669  | 14.00<br>.551  |
| 1-84984-6   | 16              | 17.00<br>.669  | 17.00<br>.669  | 18.00<br>.709  | 15.00<br>.591  |
| 1-84984-7   | 17              | 18.00<br>.709  | 18.00<br>.709  | 19.00<br>.748  | 16.00<br>.630  |
| 1-84984-8   | 18              | 19.00<br>.748  | 19.00<br>.748  | 20.00<br>.787  | 17.00<br>.669  |
| 1-84984-9   | 19              | 20.00<br>.787  | 20.00<br>.787  | 21.00<br>.827  | 18.00<br>.709  |
| 2-84984-0   | 20              | 21.00<br>.827  | 21.00<br>.827  | 22.00<br>.866  | 19.00<br>.748  |
| 2-84984-1   | 21              | 22.00<br>.866  | 22.00<br>.866  | 23.00<br>.906  | 20.00<br>.787  |
| 2-84984-2   | 22              | 23.00<br>.906  | 23.00<br>.906  | 24.00<br>.945  | 21.00<br>.827  |
| 2-84984-3   | 23              | 24.00<br>.945  | 24.00<br>.945  | 25.00<br>.984  | 22.00<br>.866  |
| 2-84984-4   | 24              | 25.00<br>.984  | 25.00<br>.984  | 26.00<br>1.024 | 23.00<br>.906  |
| 2-84984-5   | 25              | 26.00<br>1.024 | 26.00<br>1.024 | 27.00<br>1.063 | 24.00<br>.945  |
| 2-84984-6   | 26              | 27.00<br>1.063 | 27.00<br>1.063 | 28.00<br>1.102 | 25.00<br>.984  |
| 2-84984-7   | 27              | 28.00<br>1.102 | 28.00<br>1.102 | 29.00<br>1.142 | 26.00<br>1.024 |
| 2-84984-8   | 28              | 29.00<br>1.142 | 29.00<br>1.142 | 30.00<br>1.181 | 27.00<br>1.063 |
| 2-84984-9   | 29              | 30.00<br>1.181 | 30.00<br>1.181 | 31.00<br>1.221 | 28.00<br>1.102 |
| 3-84984-0   | 30              | 31.00<br>1.221 | 31.00<br>1.221 | 32.00<br>1.259 | 29.00<br>1.142 |
| 3-84984-1   | 31              | 32.00<br>1.259 | 32.00<br>1.259 | 33.00<br>1.299 | 30.00<br>1.181 |
| 3-84984-2   | 32              | 33.00<br>1.299 | 33.00<br>1.299 | 34.00<br>1.338 | 31.00<br>1.221 |
| 3-84984-3   | 33              | 34.00<br>1.338 | 34.00<br>1.338 | 35.00<br>1.377 | 32.00<br>1.259 |
| 3-84984-4   | 34              | 35.00<br>1.377 | 35.00<br>1.377 | 36.00<br>1.417 | 33.00<br>1.299 |
| 3-84984-5   | 35              | 36.00<br>1.417 | 36.00<br>1.417 | 37.00<br>1.456 | 34.00<br>1.338 |
| 3-84984-6   | 36              | 37.00<br>1.456 | 37.00<br>1.456 | 38.00<br>1.496 | 35.00<br>1.377 |
| 3-84984-7   | 37              | 38.00<br>1.496 | 38.00<br>1.496 | 39.00<br>1.535 | 36.00<br>1.417 |
| 3-84984-8   | 38              | 39.00<br>1.535 | 39.00<br>1.535 | 40.00<br>1.574 | 37.00<br>1.456 |
| 3-84984-9   | 39              | 40.00<br>1.574 | 40.00<br>1.574 | 41.00<br>1.614 | 38.00<br>1.496 |
| 4-84984-0   | 40              | 41.00<br>1.614 | 41.00<br>1.614 | 42.00<br>1.653 | 39.00<br>1.535 |

**Product Dimensions** (Continued)

**1.0 mm, FFC Connector, Through-Hole, Right Angle**

**Lead Free 84983**

**Material and Finish**

**Housing** — Glass filled PBT, white color

**Contact** — Phosphor bronze

**Technical Documents**

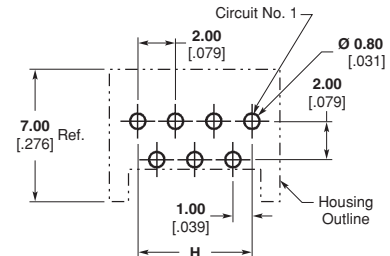
**Product Specification** — 108-51058



**Recommended FPC Layout**



**Recommended PCB Layout**  
1.60 [0.063] Thickness  
(For Even Position Connectors)



**Recommended PCB Layout**  
1.60 [0.063] Thickness  
(For Odd Position Connectors)



Electronics

1.0 mm, FFC Connector,  
Through-Hole, Right Angle,  
Top Contact

Lead Free 84983

Technical Documents  
Product Specification — 108-51058

FPC Connector Family



Product Dimensions (Continued)

| Part Number | No. of Contacts | Dimension      |                |                |                |
|-------------|-----------------|----------------|----------------|----------------|----------------|
|             |                 | E              | F              | G              | H              |
| 84983-4     | 4               | 5.00<br>.197   | 5.00<br>.197   | 6.00<br>.236   | 3.00<br>.118   |
| 84983-5     | 5               | 6.00<br>.236   | 6.00<br>.236   | 7.00<br>.276   | 4.00<br>.157   |
| 84983-6     | 6               | 7.00<br>.276   | 7.00<br>.276   | 8.00<br>.315   | 5.00<br>.197   |
| 84983-7     | 7               | 8.00<br>.315   | 8.00<br>.315   | 9.00<br>.354   | 6.00<br>.236   |
| 84983-8     | 8               | 9.00<br>.354   | 9.00<br>.354   | 10.00<br>.394  | 7.00<br>.276   |
| 84983-9     | 9               | 10.00<br>.394  | 10.00<br>.394  | 11.00<br>.433  | 8.00<br>.315   |
| 1-84983-0   | 10              | 11.00<br>.433  | 11.00<br>.433  | 12.00<br>.472  | 9.00<br>.354   |
| 1-84983-1   | 11              | 12.00<br>.472  | 12.00<br>.472  | 13.00<br>.512  | 10.00<br>.394  |
| 1-84983-2   | 12              | 13.00<br>.512  | 13.00<br>.512  | 14.00<br>.551  | 11.00<br>.433  |
| 1-84983-3   | 13              | 14.00<br>.551  | 14.00<br>.551  | 15.00<br>.591  | 12.00<br>.472  |
| 1-84983-4   | 14              | 15.00<br>.591  | 15.00<br>.591  | 16.00<br>.630  | 13.00<br>.512  |
| 1-84983-5   | 15              | 16.00<br>.630  | 16.00<br>.630  | 17.00<br>.669  | 14.00<br>.551  |
| 1-84983-6   | 16              | 17.00<br>.669  | 17.00<br>.669  | 18.00<br>.709  | 15.00<br>.591  |
| 1-84983-7   | 17              | 18.00<br>.709  | 18.00<br>.709  | 19.00<br>.748  | 16.00<br>.630  |
| 1-84983-8   | 18              | 19.00<br>.748  | 19.00<br>.748  | 20.00<br>.787  | 17.00<br>.669  |
| 1-84983-9   | 19              | 20.00<br>.787  | 20.00<br>.787  | 21.00<br>.827  | 18.00<br>.709  |
| 2-84983-0   | 20              | 21.00<br>.827  | 21.00<br>.827  | 22.00<br>.866  | 19.00<br>.748  |
| 2-84983-1   | 21              | 22.00<br>.866  | 22.00<br>.866  | 23.00<br>.906  | 20.00<br>.787  |
| 2-84983-2   | 22              | 23.00<br>.906  | 23.00<br>.906  | 24.00<br>.945  | 21.00<br>.827  |
| 2-84983-3   | 23              | 24.00<br>.945  | 24.00<br>.945  | 25.00<br>.984  | 22.00<br>.866  |
| 2-84983-4   | 24              | 25.00<br>.984  | 25.00<br>.984  | 26.00<br>1.024 | 23.00<br>.906  |
| 2-84983-5   | 25              | 26.00<br>1.024 | 26.00<br>1.024 | 27.00<br>1.063 | 24.00<br>.945  |
| 2-84983-6   | 26              | 27.00<br>1.063 | 27.00<br>1.063 | 28.00<br>1.102 | 25.00<br>.984  |
| 2-84983-7   | 27              | 28.00<br>1.102 | 28.00<br>1.102 | 29.00<br>1.142 | 26.00<br>1.024 |
| 2-84983-8   | 28              | 29.00<br>1.142 | 29.00<br>1.142 | 30.00<br>1.181 | 27.00<br>1.063 |
| 2-84983-9   | 29              | 30.00<br>1.181 | 30.00<br>1.181 | 31.00<br>1.221 | 28.00<br>1.102 |
| 3-84983-0   | 30              | 31.00<br>1.221 | 31.00<br>1.221 | 32.00<br>1.259 | 29.00<br>1.142 |
| 3-84983-1   | 31              | 32.00<br>1.259 | 32.00<br>1.259 | 33.00<br>1.299 | 30.00<br>1.181 |
| 3-84983-2   | 32              | 33.00<br>1.299 | 33.00<br>1.299 | 34.00<br>1.338 | 31.00<br>1.221 |
| 3-84983-3   | 33              | 34.00<br>1.338 | 34.00<br>1.338 | 35.00<br>1.377 | 32.00<br>1.259 |
| 3-84983-4   | 34              | 35.00<br>1.377 | 35.00<br>1.377 | 36.00<br>1.417 | 33.00<br>1.299 |
| 3-84983-5   | 35              | 36.00<br>1.417 | 36.00<br>1.417 | 37.00<br>1.456 | 34.00<br>1.338 |
| 3-84983-6   | 36              | 37.00<br>1.456 | 37.00<br>1.456 | 38.00<br>1.496 | 35.00<br>1.377 |
| 3-84983-7   | 37              | 38.00<br>1.496 | 38.00<br>1.496 | 39.00<br>1.535 | 36.00<br>1.417 |
| 3-84983-8   | 38              | 39.00<br>1.535 | 39.00<br>1.535 | 40.00<br>1.574 | 37.00<br>1.456 |
| 3-84983-9   | 39              | 40.00<br>1.574 | 40.00<br>1.574 | 41.00<br>1.614 | 38.00<br>1.496 |
| 4-84983-0   | 40              | 41.00<br>1.614 | 41.00<br>1.614 | 42.00<br>1.653 | 39.00<br>1.535 |

**Product Dimensions** (Continued)

**1.0 mm, FPC Connector,  
Non-ZIF, Right-Angle,  
Bottom Contact, Type B**

**Part Number** 1470790  
**Lead Free** 1734779

**Material and Finish**

**Housing** — Thermoplastic, UL 94V-0,  
black color

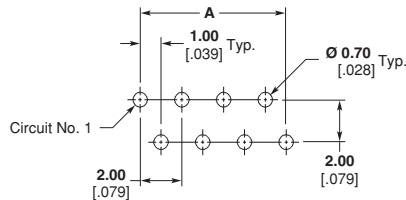
**Contacts** — Phosphor bronze

**Technical Documents**

**Product Specification** — 108-57354



**Recommended FPC Layout**



**Recommended PCB Layout**



**1.0 mm, FPC Connector,  
Non-ZIF, Right Angle,  
Bottom Contact, Type B**

**Part Number 1470790  
Lead Free 1734779**

**Technical Documents**  
Product Specification — 108-57354

**Product Dimensions** (Continued)

| Part Number | No. of Contacts | Dimension             |                       |                       |
|-------------|-----------------|-----------------------|-----------------------|-----------------------|
|             |                 | A                     | B                     | C                     |
| 1470790-4   | 4               | <b>3.00</b><br>.118   | <b>5.05</b><br>.198   | <b>7.00</b><br>.276   |
| 1470790-5   | 5               | <b>4.00</b><br>.157   | <b>6.05</b><br>.238   | <b>8.00</b><br>.315   |
| 1470790-6   | 6               | <b>5.00</b><br>.197   | <b>7.05</b><br>.277   | <b>9.00</b><br>.354   |
| 1470790-7   | 7               | <b>6.00</b><br>.236   | <b>8.05</b><br>.316   | <b>10.00</b><br>.394  |
| 1470790-8   | 8               | <b>7.00</b><br>.276   | <b>9.05</b><br>.356   | <b>11.00</b><br>.433  |
| 1470790-9   | 9               | <b>8.00</b><br>.315   | <b>10.05</b><br>.395  | <b>12.00</b><br>.472  |
| 1-1470790-0 | 10              | <b>9.00</b><br>.354   | <b>11.05</b><br>.435  | <b>13.00</b><br>.512  |
| 1-1470790-1 | 11              | <b>10.00</b><br>.394  | <b>12.05</b><br>.474  | <b>14.00</b><br>.551  |
| 1-1470790-2 | 12              | <b>11.00</b><br>.433  | <b>13.05</b><br>.513  | <b>15.00</b><br>.591  |
| 1-1470790-3 | 13              | <b>12.00</b><br>.472  | <b>14.05</b><br>.553  | <b>16.00</b><br>.630  |
| 1-1470790-4 | 14              | <b>13.00</b><br>.512  | <b>15.05</b><br>.592  | <b>17.00</b><br>.669  |
| 1-1470790-5 | 15              | <b>14.00</b><br>.551  | <b>16.05</b><br>.631  | <b>18.00</b><br>.709  |
| 1-1470790-6 | 16              | <b>15.00</b><br>.591  | <b>17.05</b><br>.671  | <b>19.00</b><br>.748  |
| 1-1470790-7 | 17              | <b>16.00</b><br>.630  | <b>18.05</b><br>.710  | <b>20.00</b><br>.787  |
| 1-1470790-8 | 18              | <b>17.00</b><br>.669  | <b>19.05</b><br>.750  | <b>21.00</b><br>.827  |
| 1-1470790-9 | 19              | <b>18.00</b><br>.709  | <b>20.05</b><br>.788  | <b>22.00</b><br>.866  |
| 2-1470790-0 | 20              | <b>19.00</b><br>.748  | <b>21.05</b><br>.828  | <b>23.00</b><br>.906  |
| 2-1470790-1 | 21              | <b>20.00</b><br>.787  | <b>22.05</b><br>.857  | <b>24.00</b><br>.945  |
| 2-1470790-2 | 22              | <b>21.00</b><br>.827  | <b>23.05</b><br>.907  | <b>25.00</b><br>.984  |
| 2-1470790-3 | 23              | <b>22.00</b><br>.866  | <b>24.05</b><br>.946  | <b>26.00</b><br>1.024 |
| 2-1470790-4 | 24              | <b>23.00</b><br>.906  | <b>25.05</b><br>.986  | <b>27.00</b><br>1.063 |
| 2-1470790-5 | 25              | <b>24.00</b><br>.945  | <b>26.05</b><br>1.025 | <b>28.00</b><br>1.102 |
| 2-1470790-6 | 26              | <b>25.00</b><br>.984  | <b>27.05</b><br>1.064 | <b>29.00</b><br>1.142 |
| 2-1470790-7 | 27              | <b>26.00</b><br>1.024 | <b>28.05</b><br>1.104 | <b>30.00</b><br>1.181 |
| 2-1470790-8 | 28              | <b>27.00</b><br>1.063 | <b>29.05</b><br>1.143 | <b>31.00</b><br>1.220 |
| 2-1470790-9 | 29              | <b>28.00</b><br>1.102 | <b>30.05</b><br>1.183 | <b>32.00</b><br>1.259 |
| 3-1470790-0 | 30              | <b>29.00</b><br>1.142 | <b>31.05</b><br>1.222 | <b>33.00</b><br>1.299 |

**Product Dimensions** (Continued)

**1.25 mm, FFC Connector, Vertical**

**Lead Free 84534**

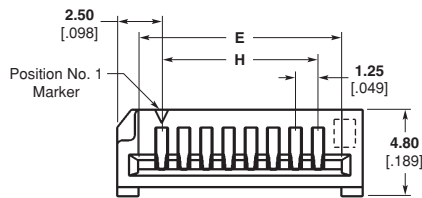
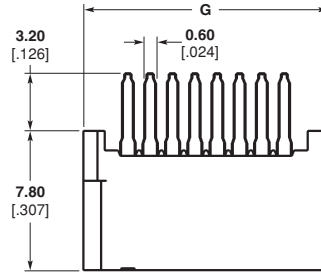
**Material and Finish**

**Housing** — Glass filled PBT, white color

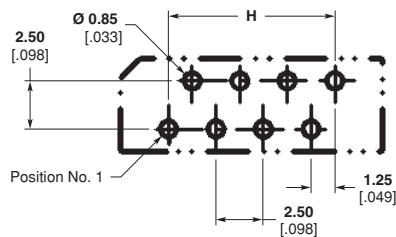
**Contact** — Phosphor bronze

**Technical Documents**

**Product Specification** — 108-51021



**Recommended FFC Layout**



**Recommended PCB Layout**

1.25 mm, FFC Connector,  
Vertical

Lead Free      **84534**

Technical Documents  
Product Specification — 108-51021

**Product Dimensions** (Continued)

| Part Number | No. of Contacts | Dimension      |                |                |                |
|-------------|-----------------|----------------|----------------|----------------|----------------|
|             |                 | E              | F              | G              | H              |
| 84534-4     | 4               | 6.40<br>.251   | 6.25<br>.246   | 8.75<br>.344   | 3.75<br>.147   |
| 84534-5     | 5               | 7.65<br>.301   | 7.50<br>.295   | 10.00<br>.393  | 5.00<br>.196   |
| 84534-6     | 6               | 8.90<br>.350   | 8.75<br>.344   | 11.25<br>.442  | 6.25<br>.246   |
| 84534-7     | 7               | 10.15<br>.399  | 10.00<br>.393  | 12.50<br>.492  | 7.50<br>.295   |
| 84534-8     | 8               | 11.40<br>.448  | 11.25<br>.442  | 13.75<br>.541  | 8.75<br>.344   |
| 84534-9     | 9               | 12.65<br>.498  | 12.50<br>.492  | 15.00<br>.590  | 10.00<br>.393  |
| 1-84534-0   | 10              | 13.90<br>.547  | 13.75<br>.541  | 16.25<br>.639  | 11.25<br>.442  |
| 1-84534-1   | 11              | 15.15<br>.596  | 15.00<br>.590  | 17.50<br>.688  | 12.50<br>.492  |
| 1-84534-2   | 12              | 16.40<br>.645  | 16.25<br>.639  | 18.75<br>.738  | 13.75<br>.541  |
| 1-84534-3   | 13              | 17.65<br>.694  | 17.50<br>.688  | 20.00<br>.787  | 15.00<br>.590  |
| 1-84534-4   | 14              | 18.90<br>.744  | 18.75<br>.738  | 21.25<br>.836  | 16.25<br>.639  |
| 1-84534-5   | 15              | 20.15<br>.793  | 20.00<br>.787  | 22.50<br>.885  | 17.50<br>.688  |
| 1-84534-6   | 16              | 21.40<br>.842  | 21.25<br>.836  | 23.75<br>.935  | 18.75<br>.738  |
| 1-84534-7   | 17              | 22.65<br>.891  | 22.50<br>.885  | 25.00<br>.984  | 20.00<br>.787  |
| 1-84534-8   | 18              | 23.90<br>.940  | 23.75<br>.935  | 26.25<br>1.033 | 21.25<br>.836  |
| 1-84534-9   | 19              | 25.15<br>.990  | 25.00<br>.984  | 27.50<br>1.082 | 22.50<br>.885  |
| 2-84534-0   | 20              | 26.40<br>1.039 | 26.25<br>1.033 | 28.75<br>1.131 | 23.75<br>.935  |
| 2-84534-1   | 21              | 27.65<br>1.088 | 27.50<br>1.082 | 30.00<br>1.181 | 25.00<br>.984  |
| 2-84534-2   | 22              | 28.90<br>1.137 | 28.75<br>1.131 | 31.25<br>1.230 | 26.25<br>1.033 |
| 2-84534-3   | 23              | 30.15<br>1.187 | 30.00<br>1.181 | 32.50<br>1.279 | 27.50<br>1.082 |
| 2-84534-4   | 24              | 31.40<br>1.236 | 31.25<br>1.230 | 33.75<br>1.328 | 28.75<br>1.131 |
| 2-84534-5   | 25              | 32.65<br>1.285 | 32.50<br>1.279 | 35.00<br>1.377 | 30.00<br>1.181 |
| 2-84534-6   | 26              | 33.90<br>1.334 | 33.75<br>1.328 | 36.25<br>1.427 | 31.25<br>1.230 |
| 2-84534-7   | 27              | 35.15<br>1.383 | 35.00<br>1.377 | 37.50<br>1.476 | 32.50<br>1.279 |
| 2-84534-8   | 28              | 36.40<br>1.433 | 36.25<br>1.427 | 38.75<br>1.525 | 33.75<br>1.328 |
| 2-84534-9   | 29              | 37.65<br>1.482 | 37.50<br>1.476 | 40.00<br>1.574 | 35.00<br>1.377 |
| 3-84534-0   | 30              | 38.90<br>1.531 | 38.75<br>1.525 | 41.25<br>1.624 | 36.25<br>1.427 |
| 3-84534-1   | 31              | 40.15<br>1.580 | 40.00<br>1.574 | 42.50<br>1.673 | 37.50<br>1.476 |
| 3-84534-2   | 32              | 41.40<br>1.629 | 41.25<br>1.624 | 43.75<br>1.722 | 38.75<br>1.525 |
| 3-84534-3   | 33              | 42.65<br>1.679 | 42.50<br>1.673 | 45.00<br>1.771 | 40.00<br>1.574 |
| 3-84534-4   | 34              | 43.90<br>1.728 | 43.75<br>1.722 | 46.25<br>1.820 | 41.25<br>1.624 |
| 3-84534-5   | 35              | 45.15<br>1.777 | 45.00<br>1.771 | 47.50<br>1.870 | 42.50<br>1.673 |
| 3-84534-6   | 36              | 46.40<br>1.826 | 46.25<br>1.820 | 48.75<br>1.919 | 43.75<br>1.722 |
| 3-84534-7   | 37              | 47.65<br>1.875 | 47.50<br>1.870 | 50.00<br>1.968 | 45.00<br>1.771 |
| 3-84534-8   | 38              | 48.90<br>1.925 | 48.75<br>1.919 | 51.25<br>2.017 | 46.25<br>1.820 |
| 3-84534-9   | 39              | 50.15<br>1.974 | 50.00<br>1.968 | 52.50<br>2.066 | 47.50<br>1.870 |
| 4-84534-0   | 40              | 51.40<br>2.023 | 51.25<br>2.017 | 53.75<br>2.116 | 48.75<br>1.919 |

**Product Dimensions** (Continued)

**1.25 mm, FFC Connector,  
Right Angle, Top Contact  
Non-ZIF**

**Lead Free 84533**

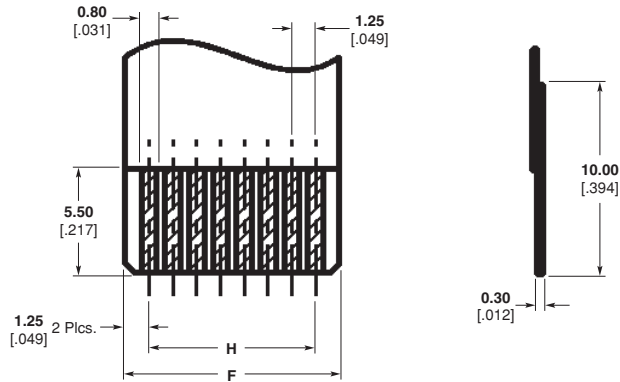
**Material and Finish**

**Housing** — Glass filled PBT, white color

**Contact** — Post plated tin phosphor bronze

**Technical Documents**

**Product Specification** — 108-51021



**Recommended FFC Layout**



**Recommended PCB Layout**



Electronics

1.25 mm, FFC Connector,  
Right Angle, Top Contact  
Non-ZIF

Lead Free      **84533**

Technical Documents  
Product Specification — 108-51021

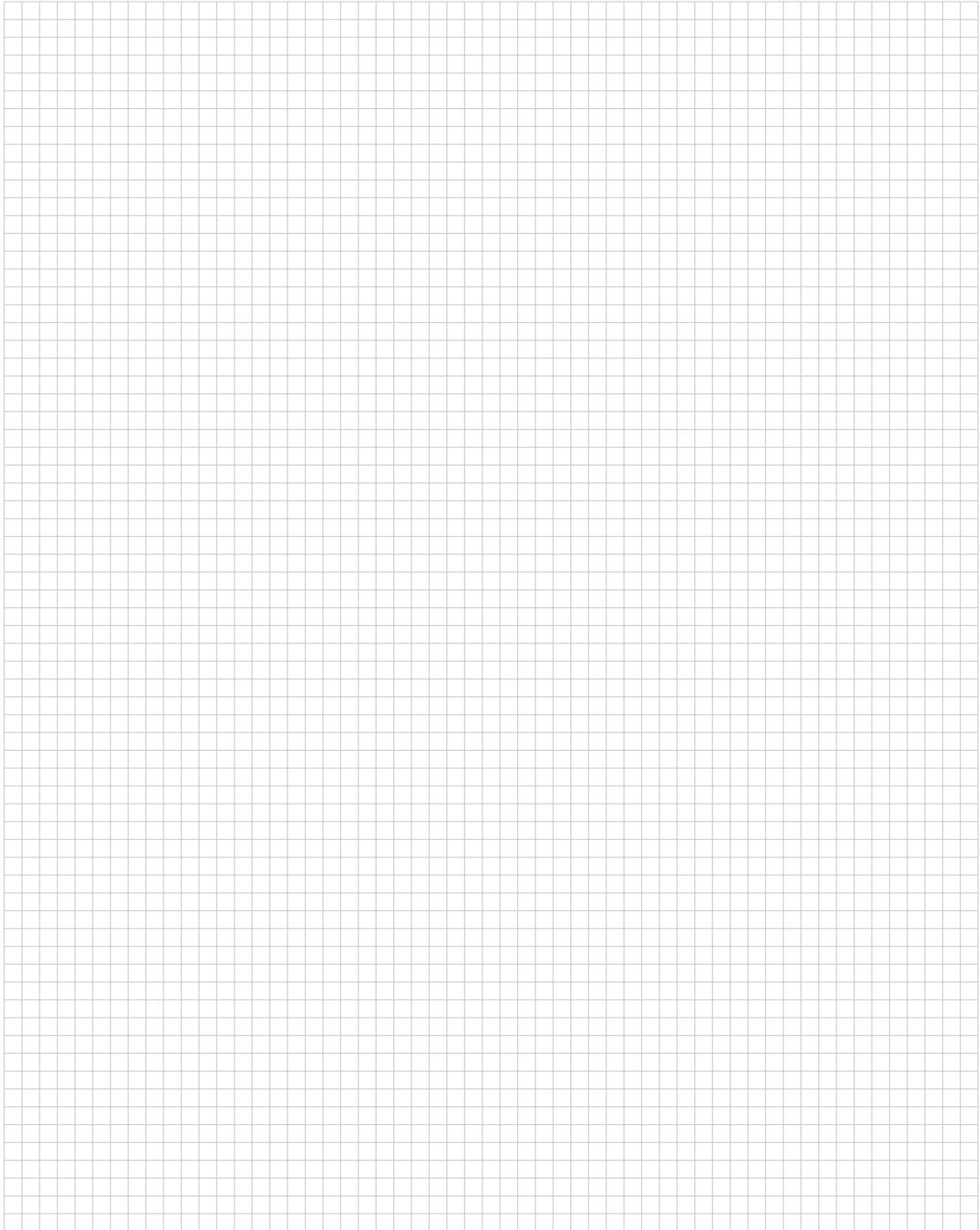
FPC Connector Family



**Product Dimensions** (Continued)

| Part Number | No. of Contacts | Dimension      |                |                |                |
|-------------|-----------------|----------------|----------------|----------------|----------------|
|             |                 | E              | F              | G              | H              |
| 84533-4     | 4               | 6.40<br>.251   | 6.25<br>.246   | 8.75<br>.344   | 3.75<br>.147   |
| 84533-5     | 5               | 7.65<br>.301   | 7.50<br>.295   | 10.00<br>.393  | 5.00<br>.196   |
| 84533-6     | 6               | 8.90<br>.350   | 8.75<br>.344   | 11.25<br>.442  | 6.25<br>.246   |
| 84533-7     | 7               | 10.15<br>.399  | 10.00<br>.393  | 12.50<br>.492  | 7.50<br>.295   |
| 84533-8     | 8               | 11.40<br>.448  | 11.25<br>.442  | 13.75<br>.541  | 8.75<br>.344   |
| 84533-9     | 9               | 12.65<br>.498  | 12.50<br>.492  | 15.00<br>.590  | 10.00<br>.393  |
| 1-84533-0   | 10              | 13.90<br>.547  | 13.75<br>.541  | 16.25<br>.639  | 11.25<br>.442  |
| 1-84533-1   | 11              | 15.15<br>.596  | 15.00<br>.590  | 17.50<br>.688  | 12.50<br>.492  |
| 1-84533-2   | 12              | 16.40<br>.645  | 16.25<br>.639  | 18.75<br>.738  | 13.75<br>.541  |
| 1-84533-3   | 13              | 17.65<br>.694  | 17.50<br>.688  | 20.00<br>.787  | 15.00<br>.590  |
| 1-84533-4   | 14              | 18.90<br>.744  | 18.75<br>.738  | 21.25<br>.836  | 16.25<br>.639  |
| 1-84533-5   | 15              | 20.15<br>.793  | 20.00<br>.787  | 22.50<br>.885  | 17.50<br>.688  |
| 1-84533-6   | 16              | 21.40<br>.842  | 21.25<br>.836  | 23.75<br>.935  | 18.75<br>.738  |
| 1-84533-7   | 17              | 22.65<br>.891  | 22.50<br>.885  | 25.00<br>.984  | 20.00<br>.787  |
| 1-84533-8   | 18              | 23.90<br>.940  | 23.75<br>.935  | 26.25<br>1.033 | 21.25<br>.836  |
| 1-84533-9   | 19              | 25.15<br>.990  | 25.00<br>.984  | 27.50<br>1.082 | 22.50<br>.885  |
| 2-84533-0   | 20              | 26.40<br>1.039 | 26.25<br>1.033 | 28.75<br>1.131 | 23.75<br>.935  |
| 2-84533-1   | 21              | 27.65<br>1.088 | 27.50<br>1.082 | 30.00<br>1.181 | 25.00<br>.984  |
| 2-84533-2   | 22              | 28.90<br>1.137 | 28.75<br>1.131 | 31.25<br>1.230 | 26.25<br>1.033 |
| 2-84533-3   | 23              | 30.15<br>1.187 | 30.00<br>1.181 | 32.50<br>1.279 | 27.50<br>1.082 |
| 2-84533-4   | 24              | 31.40<br>1.236 | 31.25<br>1.230 | 33.75<br>1.328 | 28.75<br>1.131 |
| 2-84533-5   | 25              | 32.65<br>1.285 | 32.50<br>1.279 | 35.00<br>1.377 | 30.00<br>1.181 |
| 2-84533-6   | 26              | 33.90<br>1.334 | 33.75<br>1.328 | 36.25<br>1.427 | 31.25<br>1.230 |
| 2-84533-7   | 27              | 35.15<br>1.383 | 35.00<br>1.377 | 37.50<br>1.476 | 32.50<br>1.279 |
| 2-84533-8   | 28              | 36.40<br>1.433 | 36.25<br>1.427 | 38.75<br>1.525 | 33.75<br>1.328 |
| 2-84533-9   | 29              | 37.65<br>1.482 | 37.50<br>1.476 | 40.00<br>1.574 | 35.00<br>1.377 |
| 3-84533-0   | 30              | 38.90<br>1.531 | 38.75<br>1.525 | 41.25<br>1.624 | 36.25<br>1.427 |
| 3-84533-1   | 31              | 40.15<br>1.580 | 40.00<br>1.574 | 42.50<br>1.673 | 37.50<br>1.476 |
| 3-84533-2   | 32              | 41.40<br>1.629 | 41.25<br>1.624 | 43.75<br>1.722 | 38.75<br>1.525 |
| 3-84533-3   | 33              | 42.65<br>1.679 | 42.50<br>1.673 | 45.00<br>1.771 | 40.00<br>1.574 |
| 3-84533-4   | 34              | 43.90<br>1.728 | 43.75<br>1.722 | 46.25<br>1.820 | 41.25<br>1.624 |
| 3-84533-5   | 35              | 45.15<br>1.777 | 45.00<br>1.771 | 47.50<br>1.870 | 42.50<br>1.673 |
| 3-84533-6   | 36              | 46.40<br>1.826 | 46.25<br>1.820 | 48.75<br>1.919 | 43.75<br>1.722 |
| 3-84533-7   | 37              | 47.65<br>1.875 | 47.50<br>1.870 | 50.00<br>1.968 | 45.00<br>1.771 |
| 3-84533-8   | 38              | 48.90<br>1.925 | 48.75<br>1.919 | 51.25<br>2.017 | 46.25<br>1.820 |
| 3-84533-9   | 39              | 50.15<br>1.974 | 50.00<br>1.968 | 52.50<br>2.066 | 47.50<br>1.870 |
| 4-84533-0   | 40              | 51.40<br>2.023 | 51.25<br>2.017 | 53.75<br>2.116 | 48.75<br>1.919 |

**Engineering Notes**



**Engineering Notes**

A large grid area for writing engineering notes, consisting of a 30x40 grid of small squares.

## Electronics

**Americas**

**Argentina** – Buenos Aires  
 Phone: +54-11-4733-2200  
 Fax: +54-11-4733-2211

**Brasil** – São Paulo  
 Phone: +55-11-3611-1311  
 Fax: +55-11-3611-0397

**Canada** – Markham  
 Phone: +905-475-6222  
 Fax: +905-474-5520

**Product Information Center:  
 (Technical Support)**  
 Phone: +905-470-4425  
 Fax: +905-474-5525

**Colombia** – Bogota  
 Phone: +57-1-231-9398  
 Fax: +57-1-660-0206

**Mexico** – Mexico City  
 Phone: +52-5-729-0400  
 Fax: +52-5-361-8545

**United States** – Harrisburg, PA  
 Phone: +717-564-0100  
 Fax: +717-986-7575

**Product Information Center:  
 (Technical Support)**  
 Phone: +800-522-6752  
 Fax: +717-986-7575

**For Latin/South American  
 Countries not shown**  
 Phone: +54-11-4733-2015  
 Fax: +54-11-4733-2083

**Asia/Pacific**

**Australia** – Sydney  
 Phone: +61-2-9554-2600  
 Fax: +61-2-9502-2556  
**Product Information Center:  
 (Technical Support)**  
 Phone: +61-2-9840-8200  
 Fax: +61-2-9634-6188

**India** – Bangalore  
 Phone: +91-80-285-40800  
 Fax: +91-80-285-40820

**Indonesia** – Jakarta  
 Phone: +65-6482-0311  
 Fax: +65-6482-1012

**Japan** – Toyko  
 Phone: +81-44-844-8111  
 Fax: +81-44-812-3207

**Product Information Center:  
 (Technical Support)**  
 Phone: +81-44-844-8013  
 Fax: +81-44-812-3200

**Raychem Products**  
 Phone: +81-44-900-5102  
 Fax: +81-44-5025-5027

**Korea** – Seoul  
 Phone: +82-2-3415-4500  
 Fax: +82-2-3486-3810

**Malaysia** – Kuala Lumpur  
 Phone: +60-3-78053055  
 Fax: +60-3-78053066

**New Zealand** – Auckland  
 Phone: +64-9-634-4580  
 Fax: +64-9-634-4586

**Philippines** – Makati City  
 Phone: +632-848-0171  
 Fax: +632-867-8661

**People's Republic of China**  
 Hong Kong  
 Phone: +852-2735-1628  
 Fax: +852-2735-0243

Shanghai  
 Phone: +86-21-53838188/64850602  
 Fax: +86-21-53838018/54260180

Shunde  
 Phone: +86-765-775-1368  
 Fax: +86-765-775-2823

**Europe/Middle East/Africa**

**Austria** – Vienna  
 Phone: +43-190-560-0  
 Fax: +43-190-560-1333

**Belgium** – Kessel-Lo  
 Phone: +32-16-35-23-00  
 Fax: +32-16-35-23-52

**Bulgaria** – Sofia  
 Phone: +359-2-971-2152  
 Fax: +359-2-971-2153

**Czech Republic** – Kurim  
 Phone: +420-5-41-162-111  
 Fax: +420-5-41-162-223

**Denmark** – Viby J  
 Phone: +45-70-15-52-00  
 Fax: +45-43-44-14-14

**Egypt** – Cairo  
 Phone: +20-2-417-76-47  
 Fax: +20-2-419-23-34

**Estonia** – Tallinn  
 Phone: +372-65-05-474  
 Fax: +372-65-05-470

**Finland** – Helsinki  
 Phone: +358-95-12-34-20  
 Fax: +358-95-12-34-250

**France** – Cergy-Pontoise  
 Phone: +33-1-3420-8888  
 Fax: +33-1-3420-8600

**Product Information Center:  
 (Technical Support)**  
 Phone: +33-1-3420-8943  
 Fax: +33-1-3420-8623

**France**  
**Tyco Electronics Export** –  
 St Ouen L'Aumone  
 Phone: +33-1-3440-7200  
 Fax: +33-1-3440-7220 or  
 +33-1-3440-7230

**Germany** – Bensheim  
 Phone: +49-6251-133-0  
 Fax: +49-6251-133-1600

**Product Information Center:  
 (Technical Support)**  
 Phone: +49-6251-133-1999  
 Fax: +49-6251-133-1988

**Germany** – Langen  
 Phone: +49-6103-709-0  
 Fax: +49-6103-709-1223

**Germany** – Speyer  
 Phone: +49-6232-30-0  
 Fax: +49-6232-30-2243

**Germany**  
**HTS Division** – Neunkirchen  
 Phone: +49-2247-305-0  
 Fax: +49-2247-305-122

**Great Britain** –  
 Stanmore Middlesex  
 Phone: +44-208-954-2356  
 Fax: +44-208-954-6234

**Product Information Center:  
 (Technical Support)**  
 Freephone GB: 0800-267-666  
 Phone: +44-141 810 8968  
 Fax: +44-141 810 8971

**Great Britain** – Dorcan, Swindon  
**Raychem Products**  
 Phone: +44-1793-528171  
 Fax: +44-1793-572516

**Greece** – Athens  
 Phone: +30-1-9370-396/397  
 Fax: +30-1-9370-655

**Hungary** – Budapest  
 Phone: +36-1-289-1000  
 Fax: +36-1-289-1010

**Ireland** – Dublin  
 Phone: +353-1-820-3000  
 Fax: +353-1-820-9790

**Israel** – Yokneam  
 Phone: +972-4-959-0508  
 Fax: +972-4-959-0506

**Italy** – Collegno (Torino)  
 Phone: +39-011-4012-111  
 Fax: +39-011-4031-116

**Lithuania** – Vilnius  
 Phone: +370-5-2131-402  
 Fax: +370-5-2131-403

**Netherlands** – 's-Hertogenbosch  
 Phone: +31-73-624-6246  
 Fax: +31-73-621-2365

**Product Information Center:  
 (Technical Support)**  
 Phone: +31-73-6246-999  
 Fax: +31-73-6246-998

**Norway** – Nesbru  
 Phone: +47-66-77-8899  
 Fax: +47-66-77-8855

**Poland** – Warsaw  
 Phone: +48-22-45-76-700  
 Fax: +48-22-45-76-720

**Romania** – Bucharest  
 Phone: +40-1-311-3479/3596  
 Fax: +40-1-312-0574

**Russia** – Moscow  
 Phone: +7-095-926-5506/07/08/09  
 Fax: +7-095-926-5505

**Russia** – St. Petersburg  
 Phone: +7-812-118-8192  
 Fax: +7-812-118-8193

**Slovakia** – Banská Bystrica  
 Phone: +421-48-415-20-11/12  
 Fax: +421-48-415-20-13

**Slovenia** – Ljubljana  
 Phone: +386-1561-3270  
 Fax: +386-1561-3240

**South Africa** – Port Elizabeth  
 Phone: +27-41-405-4500  
 Fax: +27-41-486-1314

**Spain** – Barcelona  
 Phone: +34-93-291-0330  
 Fax: +34-93-201-7879

**Product Information Center:  
 (Technical Support):**  
 Phone: +34-93-291-0330  
 Fax: +34-93-200-3779

**Sweden** – Upplands Väsby  
 Phone: +46-8-50-72-50-00  
 Fax: +46-8-50-72-50-01

**Switzerland** – Steinach  
 Phone: +41-71-447-0447  
 Fax: +41-71-447-0444

**Turkey** – Istanbul  
 Phone: +90-212-281-8181/2/3  
 Fax: +90-212-281-8184

**Ukraine** – Kiev  
 Phone: +38-044-238-6908  
 Fax: +38-044-568-5740

**Disclaimer:** While Tyco Electronics has made every reasonable effort to ensure the accuracy of the information in this catalog, Tyco Electronics does not guarantee that it is error-free, nor does Tyco Electronics make any other representation, warranty or guarantee that the information is accurate, correct, reliable or current. Tyco Electronics reserves the right to make any adjustments to the information contained herein at any time without notice. Tyco Electronics expressly disclaims all implied warranties regarding the information contained herein, including, but not limited to, any implied warranties of merchantability or fitness for a particular purpose.