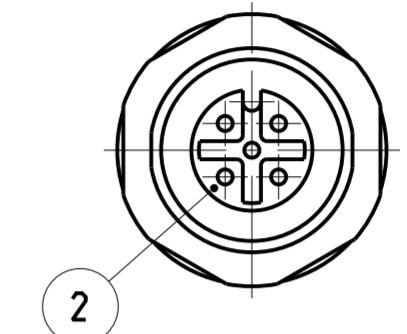
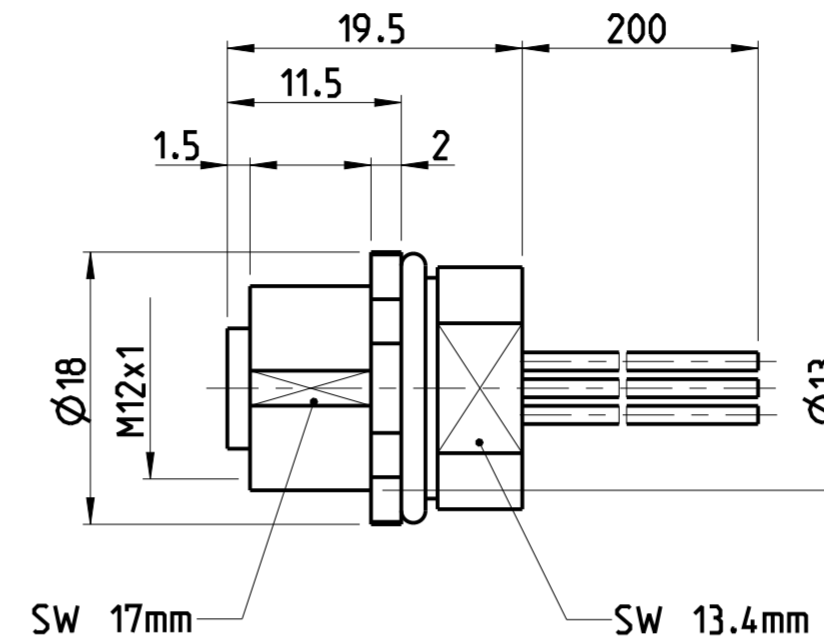
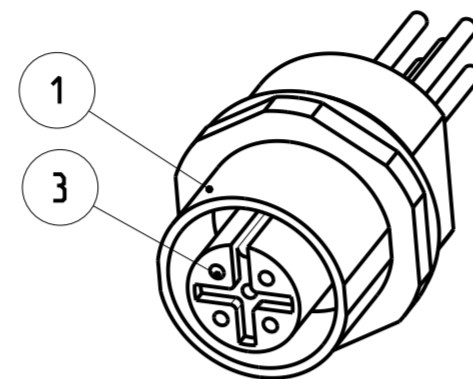
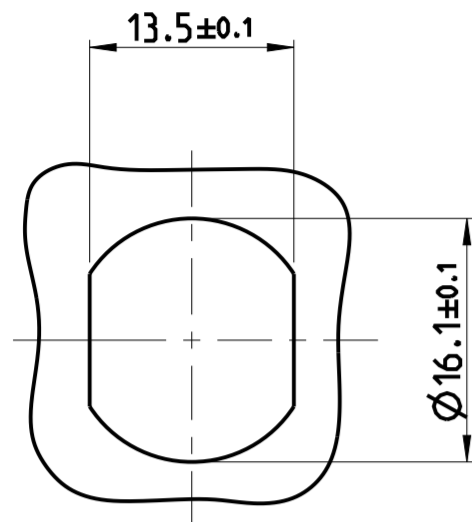


THIS DRAWING IS UNPUBLISHED. VERTRÄGLICHE UNVERPFLICHTETE ZEICHNUNG. RELEASED FOR PUBLICATION FREI FÜR VERÖFFENTLICHUNG. 2014. DATED WITH: PASSEND ZU: © COPYRIGHT 2014 Tyco Electronics AMP GmbH. ALL RIGHTS RESERVED. ALLE RECHTE VORBEHALTEN.

PROJECT NO.: PRJ-14-00000805

REVISIONS		DATE	DWN	APVD
NO.	DESCRIPTION			
A1	NEW DRAWING	29APR2014	YR	CS

RECOMMENDED CUT-OUT



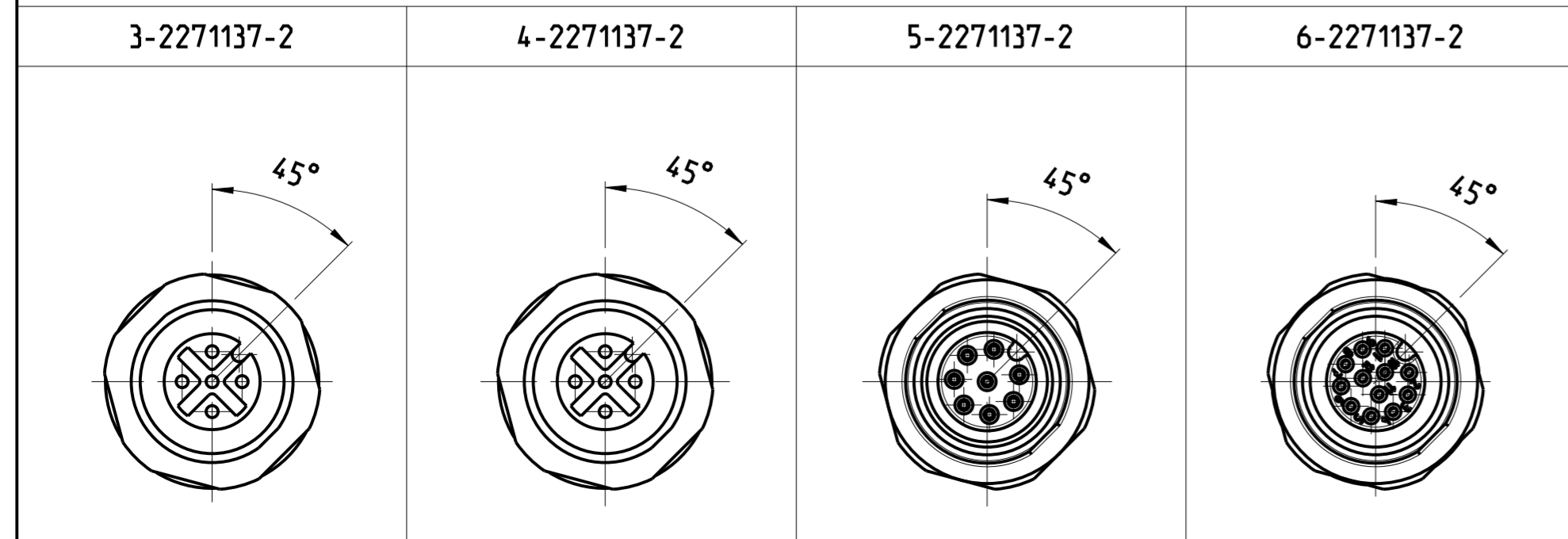
TECHNICAL DATA	3-2271137-2	4-2271137-2	5-2271137-2	6-2271137-2
RATED VOLTAGE	250V	125V	60V	30V
RATED IMPULSE VOLTAGE	2500V	1500V	800V	500V
POLLUTION DEGREE	3	3	3	3
OVERVOLTAGE CATEGORY	II	II	II	II
MATERIAL GROUP	II	II	II	II
RATED CURRENT	4A	4A	2A	2A
VOLUME RESISTIVITY	≤ 3mΩ	≤ 3mΩ	≤ 3mΩ	≤ 3mΩ
DEGREE OF PROTECTION	IP68	IP68	IP68	IP68
UPPER TEMPERATURE	+85 °C	+85 °C	+85 °C	+85 °C
LOWER TEMPERATURE	-40 °C	-40 °C	-40 °C	-40 °C

- ⚠ MATERIAL: ITEM NO. 1: HOUSING - STAINLESS STEEL 1.4404
- ⚠ ITEM NO. 1: HOUSING - ZINC DIE-CASTING, NICKEL PLATED
- ⚠ ITEM NO. 2: CONTACT BODY - PA
- ITEM NO. 3: CONTACT - CuSn (bronze)
- CONTACT FINISH - Au (gold)

- 4 ALL DIMENSIONS ARE FOR NOMINAL REFERENCE ONLY UNLESS OTHERWISE STATED
- 5 MEASUREMENT REFERENCE ONLY
- 6 PACKAGING: 1 PIECE IN A BAG

4--2 AS SHOWN WIE GEZEICHNET

PIN ARRANGEMENT A-CODING (SCALE 2:1)



WIRES AWG / mm ²	MATERIAL	NUMBER OF POLES	TE-PART-NO.
26 / 0.14mm ²	⚠ ⚠	12	6-2271137-2
24 / 0.25mm ²	⚠ ⚠	8	5-2271137-2
24 / 0.25mm ²	⚠ ⚠	5	4-2271137-2
24 / 0.25mm ²	⚠ ⚠	4	3-2271137-2

DIESE ZEICHNUNG IST EIN KONTROLLIERTES DOKUMENT. BEMASSUNGEN UND TOLERANZEN GEMAESS GPS (ISO STANDARDS).

THIS DRAWING IS A CONTROLLED DOCUMENT. DIMENSIONING AND TOLERANCING PER GPS (ISO STANDARDS).

DIMENSIONS: MASSSTAB: 1:1	TOLERANCES UNLESS OTHERWISE SPECIFIED: ALLGEMEINTOLERANZEN	DWN YASHKUMAR 29APR2014
		CHK M.STRELOW 29APR2014
		APVD C.SCHRETLINGER 29APR2014
		NAME M12 PANEL MOUNT RECEPTACLE CONNECTOR SOLDER TERMINALS, A-CODING
MATERIAL		SIZE A2
		CAGE CODE 00779
		DRAWING NO. C-2271137
		RESTRICTED TO MUR FUER
		Customer Drawing / KUNDENZEICHNUNG
		SCALE MASSSTAB 2:1
		SHEET BLATT 1 OF 1
		REV A1

SIZE ISO 14405 (E)