

Distributed by:

JAMECO[®]
ELECTRONICS

www.Jameco.com ♦ 1-800-831-4242

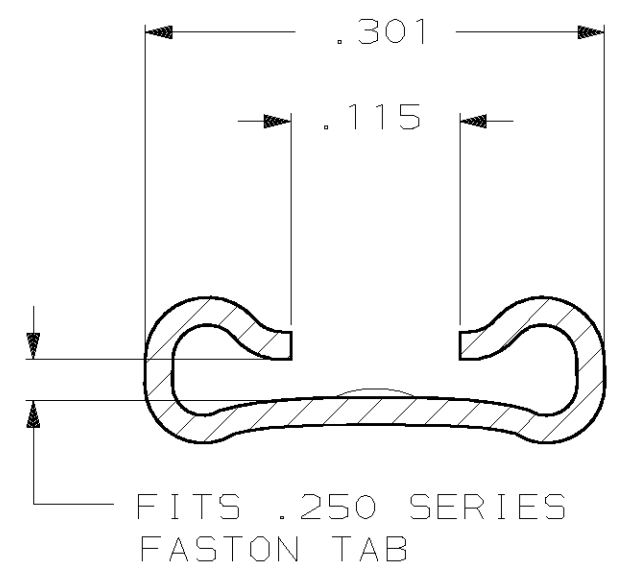
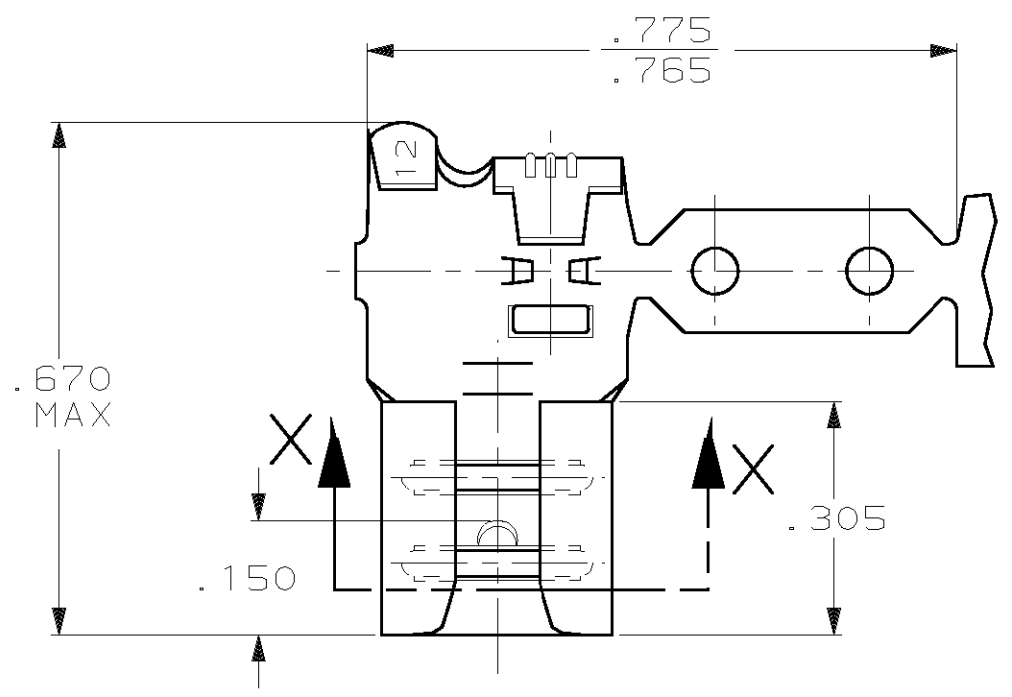
The content and copyrights of the attached
material are the property of its owner.

Jameco Part Number 947392

THIS DRAWING IS UNPUBLISHED. RELEASED FOR PUBLICATION ,19 .
 © COPYRIGHT 19 BY AMP INCORPORATED. ALL INTERNATIONAL RIGHTS RESERVED.

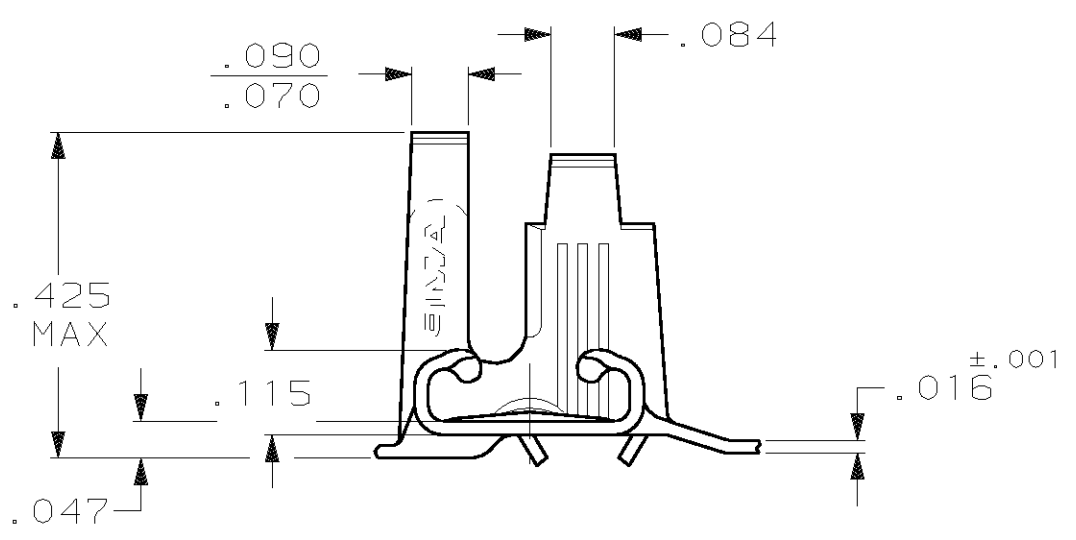
LOC DIST
 AF 50 P F

REVISIONS				
ZONE	LTR	DESCRIPTION	DATE	APPD
	P	ADDED -5 PER OG3A-0602-00	08SEP00	JR/PD



SECTION X-X
 SCALE 8:1

- 1 CONTINUOUS STRIP ON REELS.
- 2 FOREIGN PRODUCTION ONLY.
- 3 TIN PLATE .000080 MIN THK.
- 4 MATING TAB THK IS .032±.001.
- 5 WIRE SIZE IS #18-#12 AWG
- 6 INSULATION RANGE IS .110-.210 DIA.
- 7 PRELIMINARY - NOT FOR PRODUCTION



FINISH	MATERIAL	PART NO
.000150 MIN NICKEL	T2 STEEL	42742-5
PRE-TIN	4M BRASS	42742-3
TIN	4M BRASS	42742-2
-	4M BRASS	42742-1

DO NOT SCALE PRINT. UNLESS SPECIFIED DIMENSIONS ARE IN INCHES TOLERANCES ON: 2 PLC DEC ± - 3 PLC DEC ± .015 ANGLES ± -	DR 1/23/91 JR RUTH	AMP AMP Incorporated Harrisburg, PA 17105-3608	
	CHK 1/24/93 MS FEHER		
	MATERIAL 4M BRASS	APPD 1/24/93 J GILLESPIE	NAME RECEPTACLE, FASTON™ FLAG, .250 SERIES
	FINISH SEE TABLE	APPD 1/24/93 D REINER	SIZE B
	PRODUCT SPEC -	CAGE CODE 00779	DRAWING NO 42742
	APPLICATION SPEC -	SCALE 4:1	SHEET 1 OF 1
	WEIGHT -		