

Distributed by:

JAMECO[®]
ELECTRONICS

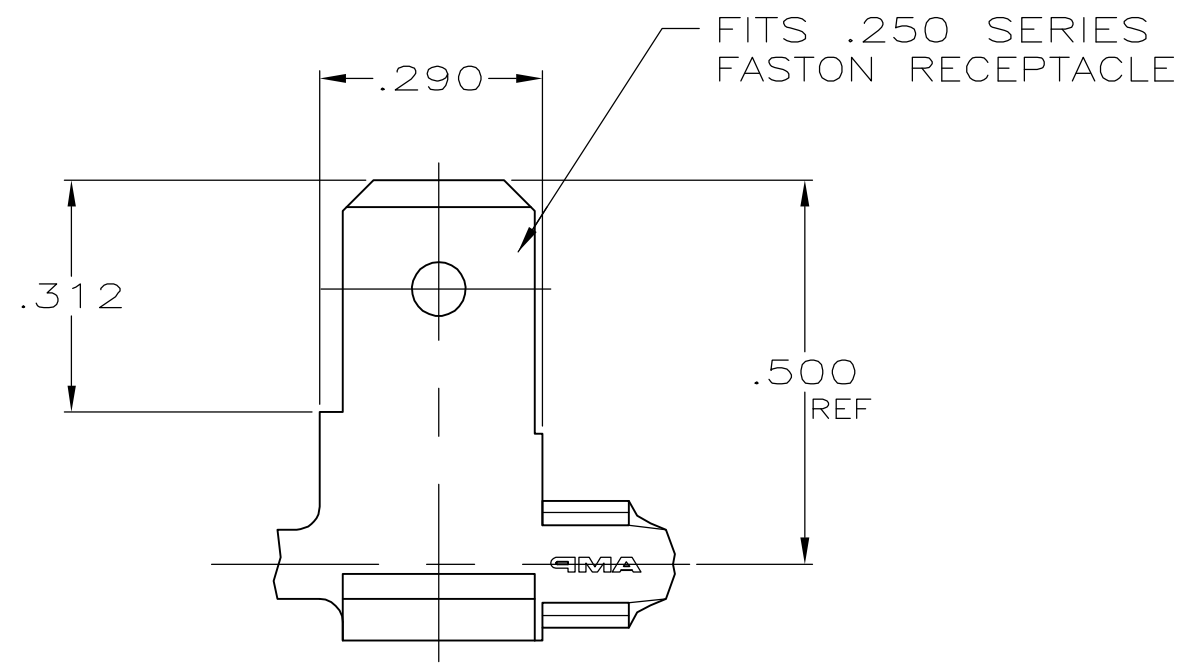
www.Jameco.com ♦ 1-800-831-4242

The content and copyrights of the attached
material are the property of its owner.

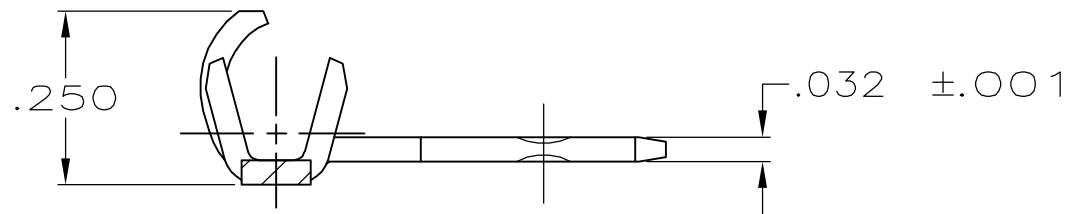
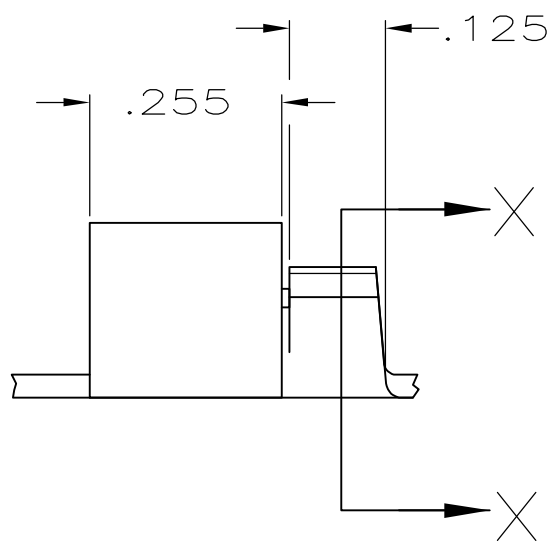
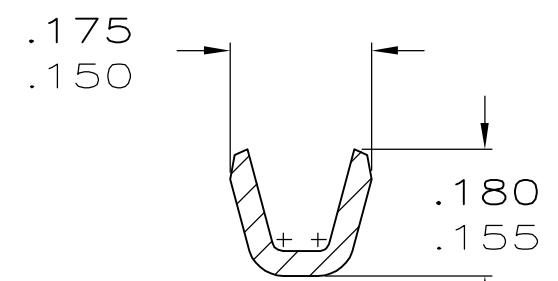
Jameco Part Number 1969841

THIS DRAWING IS UNPUBLISHED. RELEASED FOR PUBLICATION
 © COPYRIGHT - BY TYCO ELECTRONICS CORPORATION. ALL RIGHTS RESERVED.

LOC	DIST	REVISIONS			
P	LTR	DESCRIPTION	DATE	DWN	APVD
AF	50	H	REVISED PER 0G3A-0199-05	18MAR05	MF KR



- 1 CONTINUOUS STRIP ON REELS
- 2 REVERSE REEL OF 42770-2.
- 3 PRELIMINARY - NOT FOR PRODUCTION.



OBSOLETE	.080-.125 DIA	#18-#14 AWG	.000080 MIN TIN PLATE	2	42770-3
	.080-.125 DIA	#18-#14 AWG	.000080 MIN TIN PLATE		42770-2
	.080-.125 DIA	#18-#14 AWG	-	3	42770-1
	INSULATION RANGE	WIRE RANGE	FINISH		PART NUMBER

THIS DRAWING IS A CONTROLLED DOCUMENT.		DWN M.S. FEHER 18MAR2005	Tyco Electronics Corporation Harrisburg, Pa 17105-3608		
DIMENSIONS: INCHES		CHK K.A. RANDOLPH 18MAR2005			
TOLERANCES UNLESS OTHERWISE SPECIFIED:		APVD K.A. RANDOLPH 18MAR2005	NAME TAB, FASTON, FLAG, .250 SERIES		
0 PLC ± - 1 PLC ± - 2 PLC ± - 3 PLC ± .015 4 PLC ± - ANGLES ± -		PRODUCT SPEC -	APPLICATION SPEC -		
MATERIAL #2H BRASS	FINISH SEE TABLE	WEIGHT -	SIZE A3	CAGE CODE 00779	DRAWING NO C-42770
CUSTOMER DRAWING			SCALE 4:1	SHEET 1 OF 1	REV H