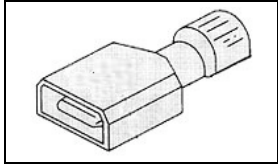


4-521097-2 Product Details



4-521097-2

TE Internal Number: 4-521097-2



Ultra-Fast Receptacles & Tabs

 Always EU RoHS/ELV Compliant (Statement of Compliance)

Product Highlights:

- Terminal Type = Tab
- Proprietary Name = Ultra-Fast
- Mating Area Interface Dimensions = 6.35 x 0.81 mm
- Brass Material
- Insulation Diameter = 8.13 [.320] Max. mm [in]

Documentation & Additional Information

Product Drawings:

- [TAB ASSEMBLY, ULTRA-FAST, \[6.35\] .250 SERIES, 12-10 AWG](#) (PDF, English)

Catalog Pages/Data Sheets:

- [Ultra-Fast and Ultra Fast Plus](#) (PDF, English)

Product Specifications:

- [Ultra-Fast Fully Insulated FASTON Tab Terminals](#) (PDF, English)

Application Specifications:

- None Available

Instruction Sheets:

- None Available

CAD Files: (CAD Format & Compression Information)

- [2D Drawing](#) (DXF, Version D)
- [3D Model](#) (IGES, Version D)
- [3D Model](#) (STEP, Version D)

Additional Information:

- [Product Line Information](#)

Related Products:

- [Tooling](#)

Product Features (Please use the Product Drawing for all design activity)

Product Type Features:

- Terminal Type = Tab
- [Insulation Support](#) = Non-Insulation Support
- Finish = Tin
- Wire/Cable Type = Regular Wire
- Mount Angle = Straight

Dimensions:

- [Mating Area Interface Dimensions \(mm \[in\]\)](#) = 6.35 x 0.81 [.250 x .032]
- [Insulation Diameter \(mm \[in\]\)](#) = 8.13 [.320] Max.

Body Features:

- [Material](#) = Brass
- [Wire Range \(mm \[AWG\]\)](#) = 3.00-6.00² [12-10]
- Tab Type = Wire Crimp
- Fully Insulated = Fully Insulated

Industry Standards:

- [RoHS/ELV Compliance](#) = RoHS compliant, ELV compliant
- [Lead Free Solder Processes](#) = Not relevant for lead free process
- [RoHS/ELV Compliance History](#) = Always was RoHS compliant

Packaging Features:

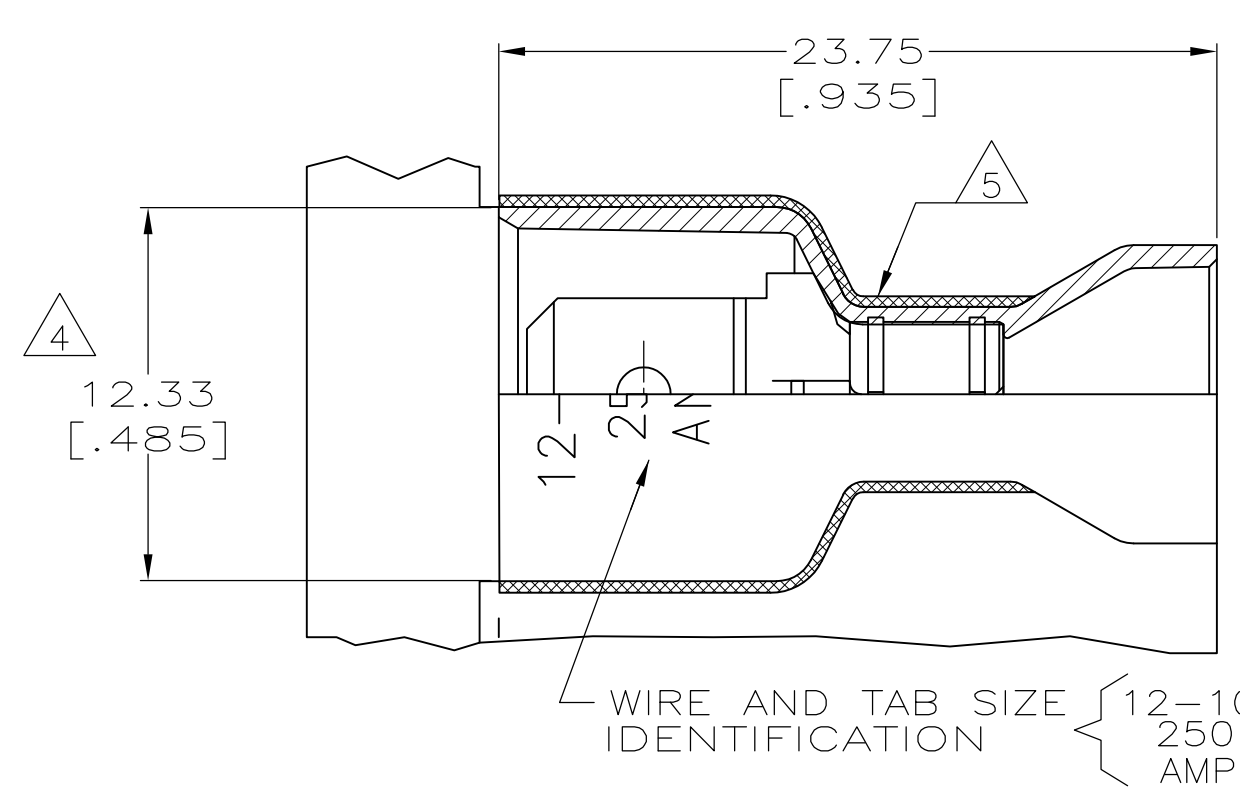
- [Packaging Method](#) = Strip

Other:

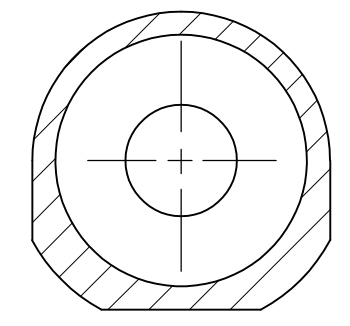
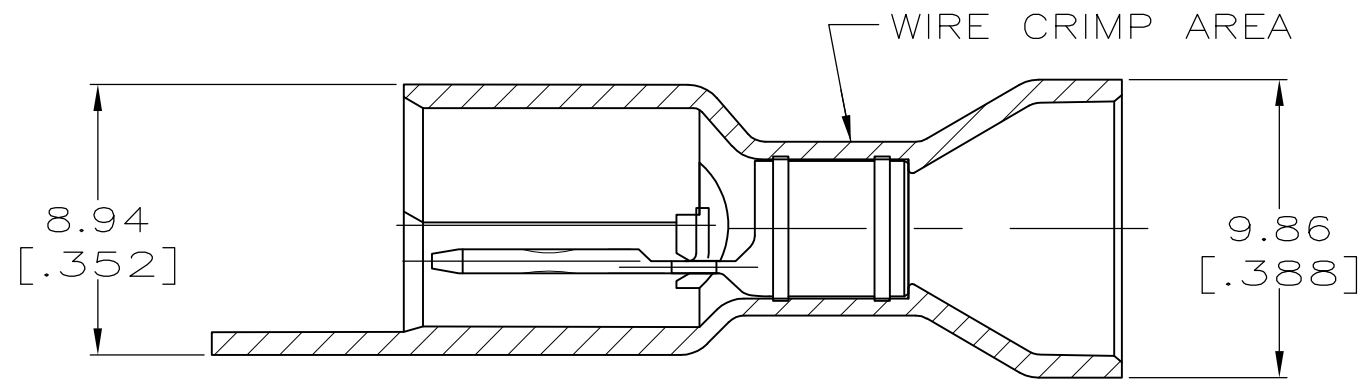
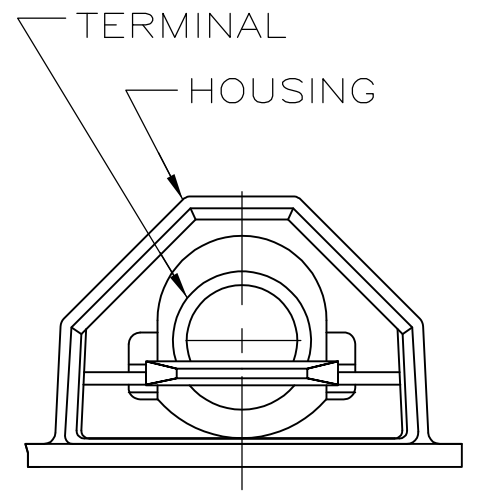
- [Proprietary Name](#) = Ultra-Fast
- Brand = AMP

THIS DRAWING IS UNPUBLISHED. RELEASED FOR PUBLICATION
 © COPYRIGHT - By - ALL RIGHTS RESERVED.


LOC	DIST	REVISIONS			
P	LTR	DESCRIPTION	DATE	DWN	APVD
AF	50	F	REVISED PER ECR-13-004343	30JUL13	KH KR



- 1 TAB DIMENSIONS $0.81^{+.025}_{-.050} \times 6.35$
[.032 $^{+.001}_{-.002}$ x .250]
- 2 WIRE STRIP LENGTH 7.92 [.312].
- 3 CONTINUOUS STRIP ON REELS.
- 4 DIMENSION DOES NOT INCLUDE TRIM BURR.
- 5 0.38 [.015] MAX CARRIER TRIM BURR PER SIDE IS ALLOWABLE IN THE SHADED AREA.
- 6 INSULATION SIZE IS .320 MAX DIA.



HOUSING: NYLON,COLOR-YELLOW TAB: BRASS, TIN	4-521097-2
MATERIAL & FINISH	PART NO

THIS DRAWING IS A CONTROLLED DOCUMENT.		DWN JR RUTH 9/25/95	 TE Connectivity TAB ASSEMBLY, ULTRA-FAST, [6.35] .250 SERIES, 12-10 AWG				
DIMENSIONS: INCHES		CHK P FORTNEY 9/25/95				APVD D BRATINA 9/25/95	NAME
TOLERANCES UNLESS OTHERWISE SPECIFIED:		PRODUCT SPEC				108-2017	
MATERIAL SEE TABLE		APPLICATION SPEC				114-2123	
FINISH SEE TABLE		WEIGHT -		SIZE A3	CAGE CODE 00779	DRAWING NO C-521097	RESTRICTED TO -
CUSTOMER DRAWING			SCALE 4:1	SHEET 1 OF 1	REV F		