

Distributed by:

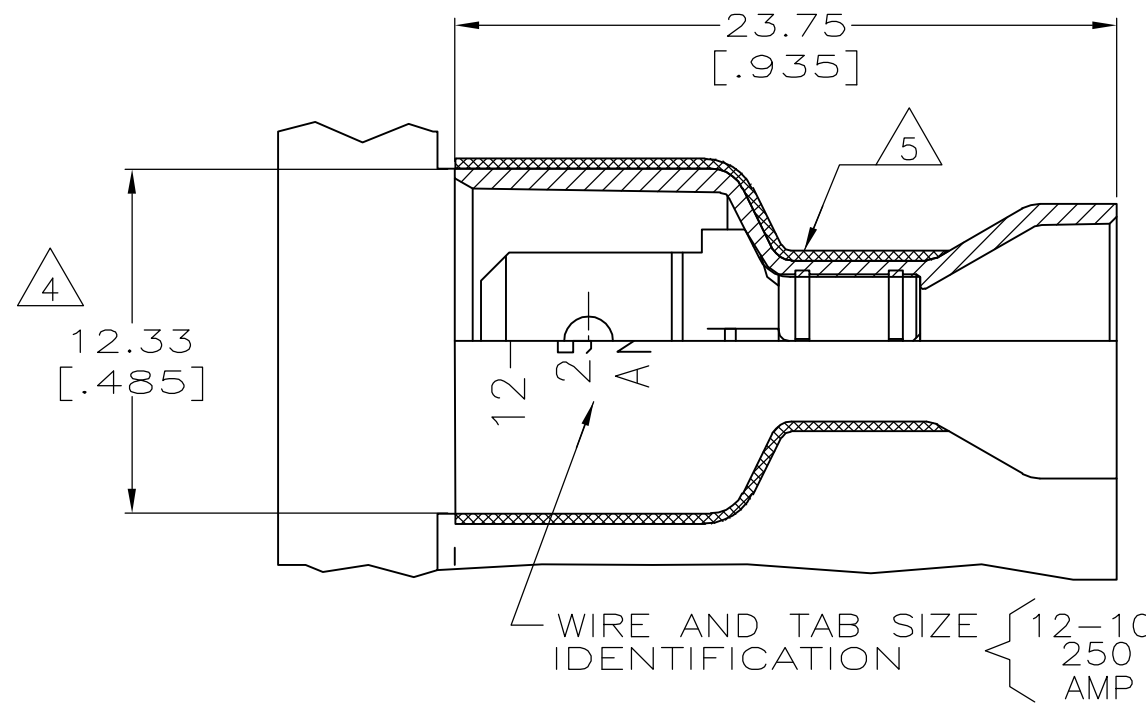
**JAMECO**<sup>®</sup>  
ELECTRONICS

**www.Jameco.com ♦ 1-800-831-4242**

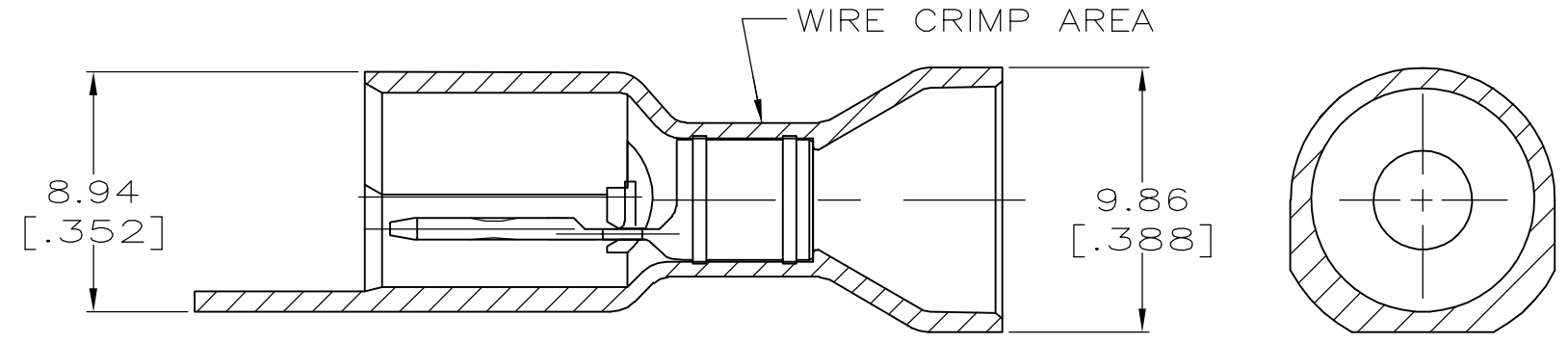
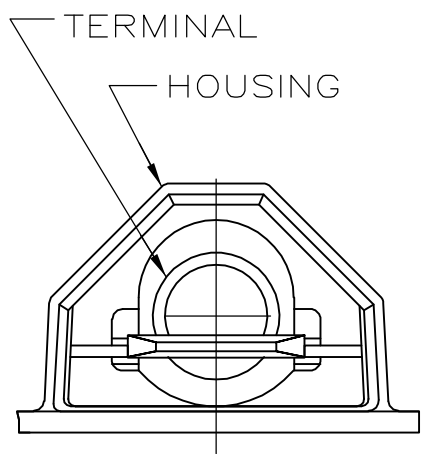
The content and copyrights of the attached  
material are the property of its owner.

Jameco Part Number 944431

LOC	DIST	REVISIONS					
AF	50	P	LTR	DESCRIPTION	DATE	DWN	APVD
			D	REVISED PER ECR-06-009299	30AUG06	HMR	RL



- 1 TAB DIMENSIONS  $0.81^{+.025}_{-.050} \times 6.35$  [ $.032^{+.001}_{-.002} \times .250$ ]
- 2 WIRE STRIP LENGTH 7.92 [.312].
- 3 CONTINUOUS STRIP ON REELS.
- 4 DIMENSION DOES NOT INCLUDE TRIM BURR.
- 5 0.38 [.015] MAX CARRIER TRIM BURR PER SIDE IS ALLOWABLE IN THE SHADED AREA.
- 6 INSULATION SIZE IS .320 MAX DIA.



HOUSING: NYLON, COLOR-YELLOW	4-521097-2
TAB: #3 HARD BRASS, TIN 0.002032 [.000080] MIN	
MATERIAL & FINISH	PART NO

THIS DRAWING IS A CONTROLLED DOCUMENT.		DWN	JR RUTH	9/25/95	 Tyco Electronics Corporation Harrisburg, PA 17105-3608
DIMENSIONS: mm [INCHES]		CHK	P FORTNEY	9/25/95	
TOLERANCES UNLESS OTHERWISE SPECIFIED:		APVD	D BRATINA	9/25/95	
0 PLC ± - 1 PLC ± - 2 PLC ± 0.38 [.015] 3 PLC ± - 4 PLC ± - ANGLES ± -		PRODUCT SPEC		NAME	
MATERIAL SEE TABLE		FINISH SEE TABLE		108-2017	
		APPLICATION SPEC		TAB ASSEMBLY, ULTRA-FAST, [6.35] .250 SERIES, 12-10 AWG	
		WEIGHT -		114-2123	RESTRICTED TO -
		CUSTOMER DRAWING		SIZE A3	CAGE CODE 00779
		SCALE 4:1		DRAWING NO C-521097	REV D
		SHEET 1 of 1			