

Distributed by:

JAMECO[®]
ELECTRONICS

www.Jameco.com ♦ 1-800-831-4242

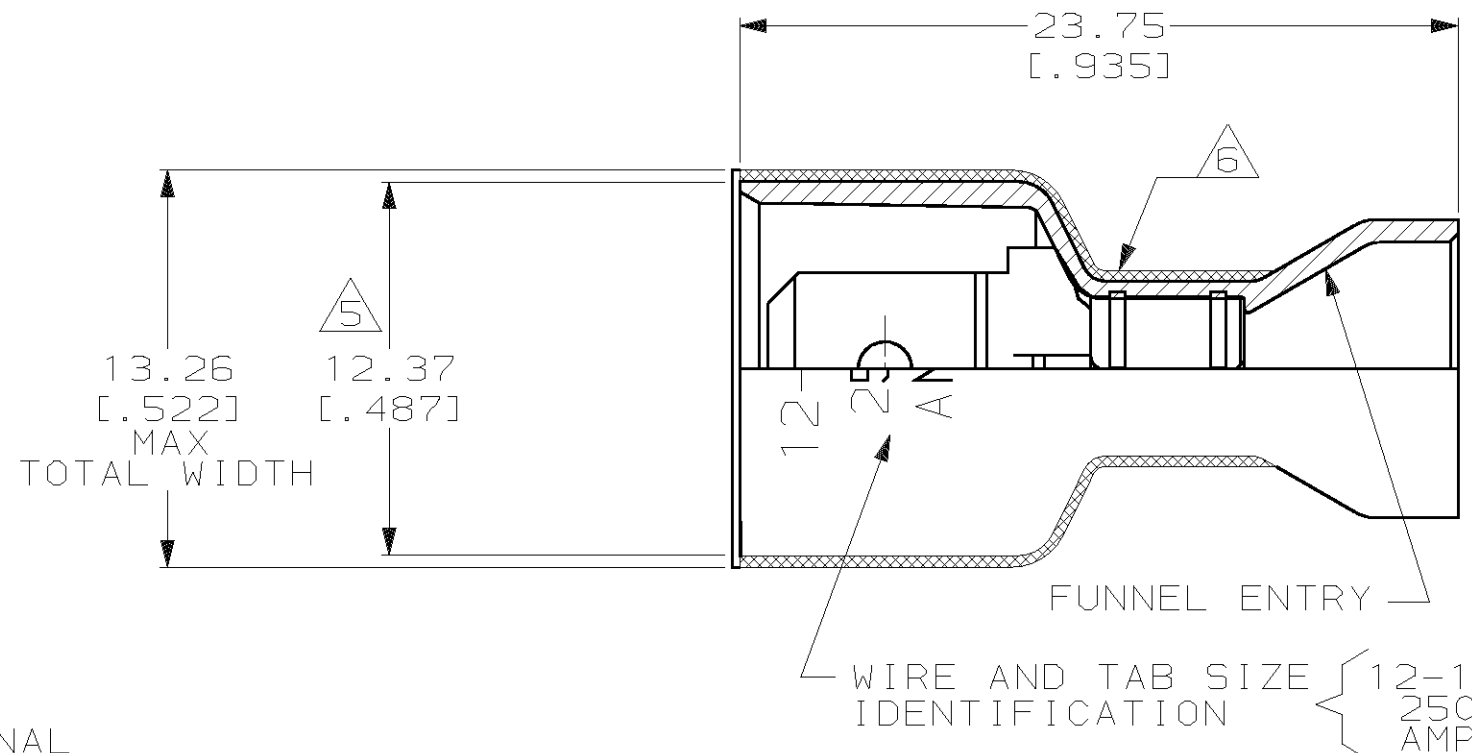
The content and copyrights of the attached
material are the property of its owner.

Jameco Part Number 944482

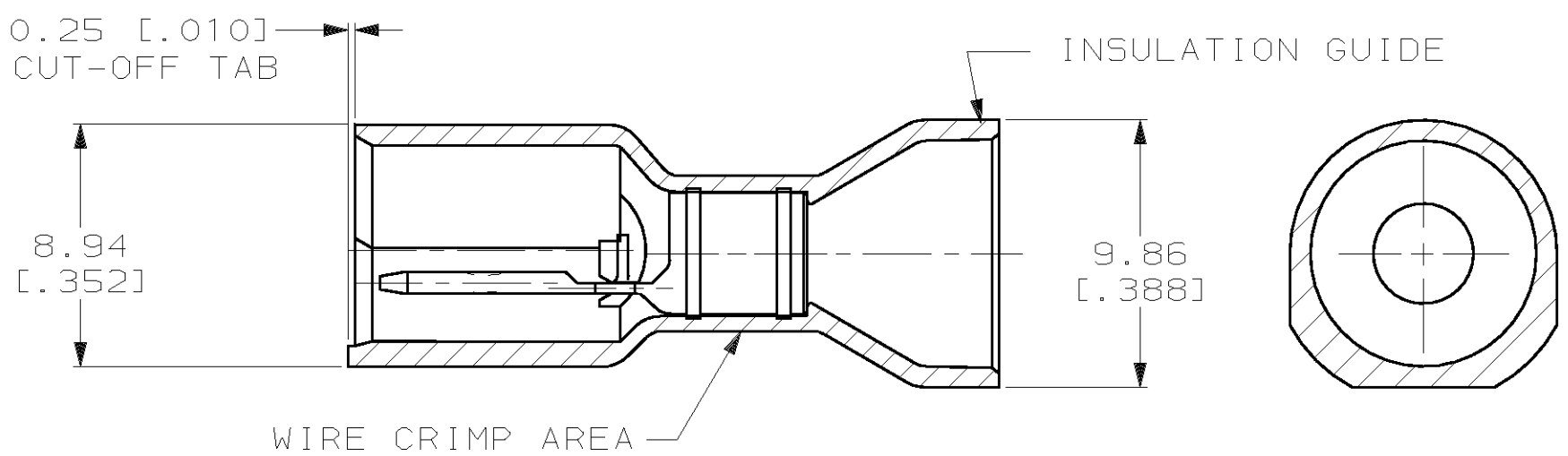
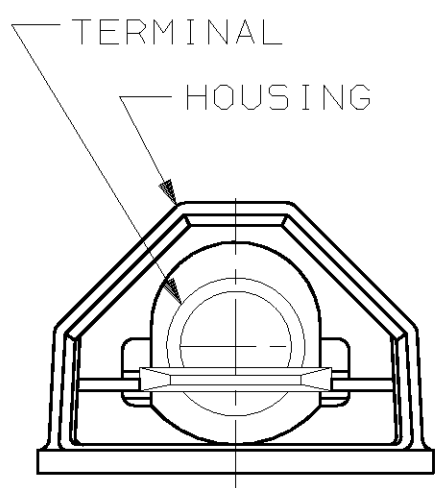
THIS DRAWING IS UNPUBLISHED. RELEASED FOR PUBLICATION ,19 .
 © COPYRIGHT 19 BY AMP INCORPORATED. ALL INTERNATIONAL RIGHTS RESERVED.

LOC AF DIST 50

REVISIONS				DATE	APPD
ZONE	LTR	DESCRIPTION			
	B	REV PER 0G1A-0149-99	3JUN99	JR/JH	



- 1 TAB DIMENSIONS 0.81±0.025 X 6.35 [.032±.001 X .250]
- 2 WIRE STRIP LENGTH 7.92 [.312].
- 3 INSULATION SIZE .320 MAX DIA.
- 4 SUPPLIED IN LOOSE PIECE.
- 5 DIMENSION DOES NOT INCLUDE TRIM BURR.
- 6 0.38 [.015] MAX CARRIER TRIM BURR PER SIDE IS ALLOWABLE IN THE SHADED AREA.



HOUSING: NYLON, COLOR-YELLOW		4-521098-2	
TAB: #3 HARD BRASS, TIN 0.002032 [.000080] MIN		PART NO	
MATERIAL & FINISH		AMP Incorporated Harrisburg, PA 17105-3608	
DO NOT SCALE PRINT. UNLESS SPECIFIED DIMENSIONS IN mm [INCHES] TOLERANCES ON: 2 PLC DEC ± 0.38 [.015] 3 PLC DEC ± - ANGLES ± -		NAME TAB ASSEMBLY, ULTRA-FAST, [6.35] .250 SERIES, 12-10 AWG	
MATERIAL SEE TABLE		SIZE B	
FINISH SEE TABLE		CAGE CODE 00779	
DR 9/25/95 JR RUTH CHK 9/25/95 P FORTNEY APPD 9/25/95 D BRATINA APPD 9/25/95 V KARABCIEVSCHY		DRAWING NO C-521098	
PRODUCT SPEC 108-2017		SCALE 4:1	
APPLICATION SPEC 114-2123		SHEET 1 OF 1	
WEIGHT -			

THIS DRAWING IS A CONTROLLED DOCUMENT FOR AMP INCORPORATED. IT IS SUBJECT TO CHANGE AND THE CONTROLLING ENGINEERING ORGANIZATION SHOULD BE CONTACTED FOR THE LATEST REVISION.