



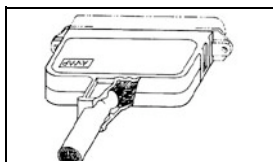
Have a Question?
 Chat with a Product
 Information Specialist

What can we help you find?

[Products](#) [Industries](#) [Resources](#) [About TE](#) [My Account](#) [Innovation](#) [Support Center](#)

4-552008-1 Product Details

[Share](#) [Print](#) [Email](#)



4-552008-1

TE Internal Number: 4-552008-1

Active

[View 3D PDF](#)

2.16 [.085] Accessories and Hardware

Always EU RoHS/ELV Compliant (Statement of Compliance)

Product Highlights:

- Accessory Type = Cover
- Cover Type = Strain Relief
- Snap-On Cover/Strain Relief Retention Method
- 180° Cable Exit Angle
- 50 Positions

[View all Features](#)

Quick Links

- ▶ [Pricing & Availability](#)
- ▶ [Search for Tooling](#)
- ▶ [Product Feature Selector](#)
- ▶ [Contact Us About This Product](#)

[Add to My Part List](#) [Request Sample](#) [Find Similar Products](#) [Buy Product](#)

Documentation & Additional Information	
<p>Product Drawings:</p> <ul style="list-style-type: none"> • COVER KIT, 180 DEGREE, 50 POSITION, CHAMP (PDF, English) <p>Catalog Pages/Data Sheets:</p> <ul style="list-style-type: none"> • None Available <p>Product Specifications:</p> <ul style="list-style-type: none"> • None Available <p>Application Specifications:</p> <ul style="list-style-type: none"> • None Available <p>Instruction Sheets:</p> <ul style="list-style-type: none"> • Strain Relief Hardware for CHAMP Connectors (PDF, English) <p>CAD Files: (CAD Format & Compression Information)</p> <ul style="list-style-type: none"> • 2D Drawing (DXF, Version P) • 3D Model (IGES, Version P) • 3D Model (STEP, Version P) 	<p>Additional Information:</p> <ul style="list-style-type: none"> • Product Line Information <p>Related Products:</p> <ul style="list-style-type: none"> • Tooling

[List all Documents](#)

Product Features (Please use the Product Drawing for all design activity)	
<p>Product Type Features:</p> <ul style="list-style-type: none"> • Accessory Type = Cover • Cover Type = Strain Relief • Color = Black <p>Mechanical Attachment:</p> <ul style="list-style-type: none"> • Cover/Strain Relief Retention Method = Snap-On <p>Dimensions:</p> <ul style="list-style-type: none"> • Cable Outer Diameter (mm [in]) = 12.19 - 13.97 [0.480 - 0.550] <p>Body Features:</p> <ul style="list-style-type: none"> • Cable Exit Angle = 180° <p>Configuration Features:</p> <ul style="list-style-type: none"> • Number of Positions = 50 	<p>Industry Standards:</p> <ul style="list-style-type: none"> • RoHS/ELV Compliance = RoHS compliant, ELV compliant • Lead Free Solder Processes = Not relevant for lead free process • RoHS/ELV Compliance History = Always was RoHS compliant <p>Operation/Application:</p> <ul style="list-style-type: none"> • Application Use = Cable-to-Cable <p>Packaging Features:</p> <ul style="list-style-type: none"> • Packaging Quantity = 100 Kits • Packaging Method = Bulk <p>Other:</p> <ul style="list-style-type: none"> • Brand = AMP • Comment = Strain relief cover cable diameter range is a guideline. The appropriate strain relief cover depends on cable stiffness, cable packing and fillers.

Corporate Information

- [About TE](#)
- [Investors](#)
- [News Room](#)
- [Supplier Portal](#)
- [Careers](#)
- [Terms & Conditions](#)

Quick Links

- [Distributor Inventory](#)
- [Product Cross Reference](#)
- [Documents & Drawings](#)
- [Product Compliance Support Center](#)
- [Site Map](#)

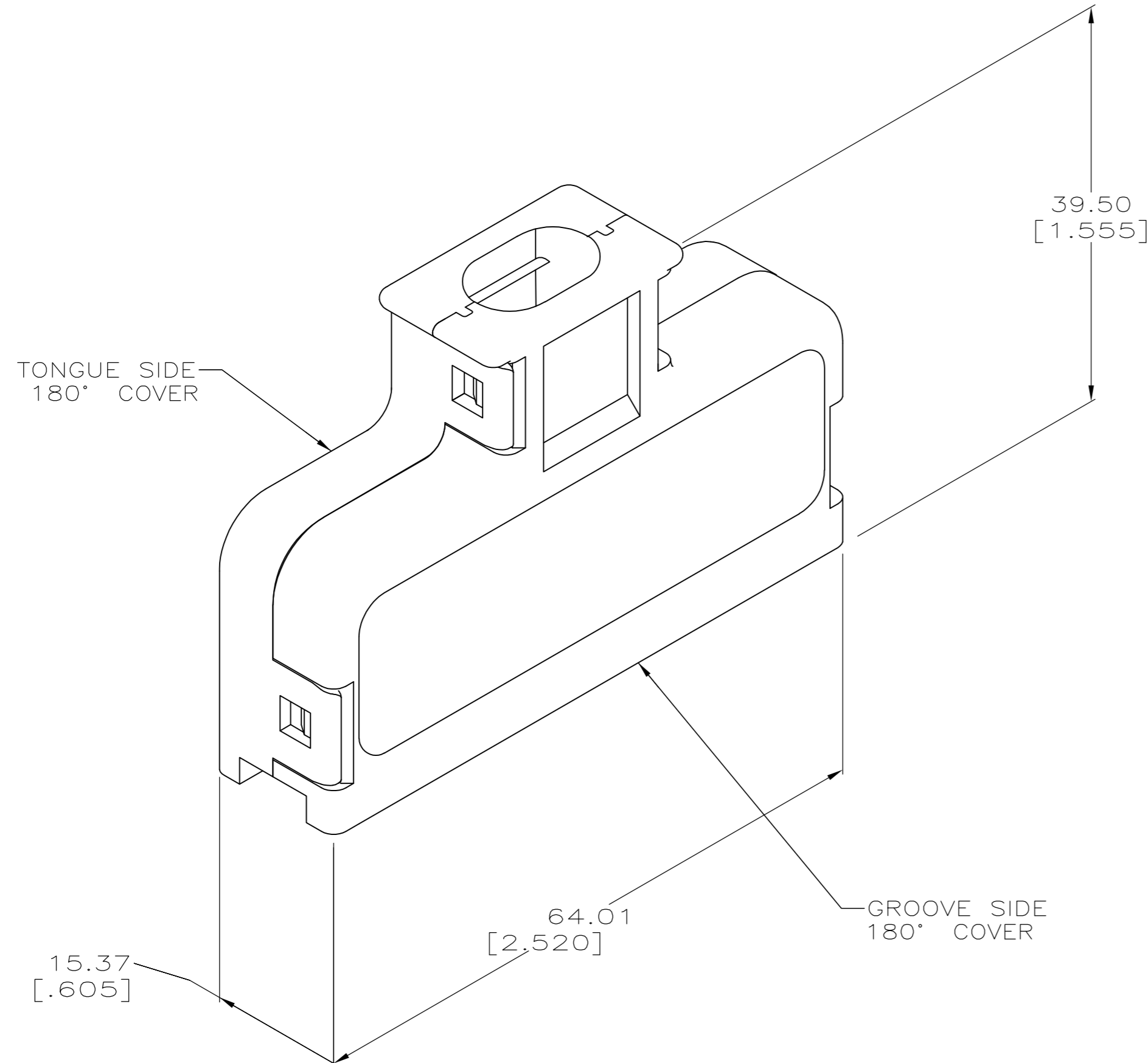
Customer Support

- [Email or Chat With Us](#)
- [Find a Phone Number](#)
- [Knowledge Base](#)
- [Manage Your Account](#)

THIS DRAWING IS UNPUBLISHED. RELEASED FOR PUBLICATION
 © COPYRIGHT - By - ALL RIGHTS RESERVED.

LOC		DIST		REVISIONS				
P	LTR	DESCRIPTION		DATE	DWN	APVD		
AA	20	U2		REVISED PER ECO-12-019458	09APR13	BM	PR	

- 1. MATERIAL: POLYPHENYLENE OXIDE MOLDING COMPOUND. SEE TABLE FOR COLOR.
- 2. ALL DIMENSIONS SHOWN ARE MAXIMUM UNLESS OTHERWISE SPECIFIED.
- 3. 100 KITS BULK PACKAGED.



SUPERSEDED BY 4-552008-1

12.19-13.97 [.480-.550]	ALMOND	4-552007-2	4-552006-2	4-552008-2
12.19-13.97 [.480-.550]	BLACK	4-552007-1	4-552006-1	4-552008-1
8.38-9.65 [.330-.380]	BLACK	3-552007-1	3-552006-1	3-552008-1
9.65-10.92 [.380-.430]	BLACK	2-552007-1	2-552006-1	2-552008-1
10.92-12.45 [.430-.490]	GRAY	552007-4	552006-4	552008-4
10.92-12.45 [.430-.490]	BLACK	552007-1	552006-1	552008-1
CABLE RANGE DIAMETER	COLOR	GROOVE SIDE PART NO.	TONGUE SIDE PART NO.	KIT PART NO.

THIS DRAWING IS A CONTROLLED DOCUMENT.		DWN	16APR97		
		CHK	21APR97		
		APVD	21APR97		
		PRODUCT SPEC			
DIMENSIONS: mm [INCHES] TOLERANCES UNLESS OTHERWISE SPECIFIED: 0 PLC ± - 1 PLC ± - 2 PLC ± - 3 PLC ± - 4 PLC ± - ANGLES ± -		NAME M. HUGHES		COVER KIT, 180 DEGREE, 50 POSITION, CHAMP	
MATERIAL 		FINISH -		SIZE A2	CAGE CODE 00779
		WEIGHT -		DRAWING NO. C-552008	RESTRICTED TO -
CUSTOMER DRAWING				SCALE	2:1
				SHEET	1 of 1
				REV	U2

- 552008