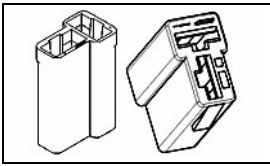


480115-3 Product Details

[Share](#) [Print](#) [Email](#)



480115-3

TE Internal Number: 480115-3

Active

[View 3D PDF](#)

Multiple Circuit Housings with Tabs & Receptacles

Always EU RoHS/ELV Compliant (Statement of Compliance)

Product Highlights:

- Connector
- Not Preloaded
- Connector Style = Plug
- Accepts Contact Gender = Receptacle
- Number of Circuits = 2

[View all Features](#)

Quick Links

- ▶ [Pricing & Availability](#)
- ▶ [Search for Tooling](#)
- ▶ [Product Feature Selector](#)
- ▶ [Contact Us About This Product](#)

[Add to My Part List](#) [Request Sample](#) [Find Similar Products](#) [Buy Product](#)

Documentation & Additional Information

Product Drawings:

- [2 CIRCUIT T FASTIN-FASTON RECEPTACLE HOUSING \(PDF, English\)](#)

Catalog Pages/Data Sheets:

- [FASTIN_FASTON_Product_Line \(PDF, English\)](#)

Product Specifications:

- None Available

Application Specifications:

- None Available

Instruction Sheets:

- None Available

CAD Files: (CAD Format & Compression Information)

- [2D Drawing \(DXF, Version V\)](#)
- [3D Model \(IGES, Version V\)](#)
- [3D Model \(STEP, Version V\)](#)

[List all Documents](#)

Related Products:

- [Tooling](#)

Product Features (Please use the Product Drawing for all design activity)

Product Type Features:

- [Product Type](#) = Connector
- Color = Black
- FASTON = Yes

Dimensions:

- [Mating Area Interface Dimensions \(mm \[in\]\)](#) = 6.35 [.250]

Contact Features:

- Accepts Contact Gender = Receptacle

Housing Features:

- Connector Style = Plug
- [Housing Material](#) = Nylon 66 GF

Configuration Features:

- Preloaded = No
- [Number of Circuits](#) = 2

Industry Standards:

- [RoHS/ELV Compliance](#) = RoHS compliant, ELV compliant
- [Lead Free Solder Processes](#) = Not relevant for lead free process
- [RoHS/ELV Compliance History](#) = Always was RoHS compliant

Packaging Features:

- [Packaging Method](#) = Loose Piece

Other:

- Line = FASTIN-FASTON .250
- Brand = AMP
- Comment = T Shaped Housing

Corporate Information

- [About TE](#)
- [Investors](#)
- [News Room](#)
- [Supplier Portal](#)
- [Careers](#)
- [Terms & Conditions](#)
- [Privacy Policy](#)

Quick Links

- [Distributor Inventory](#)
- [Product Cross Reference](#)
- [Documents & Drawings](#)
- [Product Compliance Support Center](#)
- [Site Map](#)

Customer Support

- [Email or Chat With Us](#)
- [Find a Phone Number](#)
- [Knowledge Base](#)
- [Manage Your Account](#)

Keep Me Informed

4

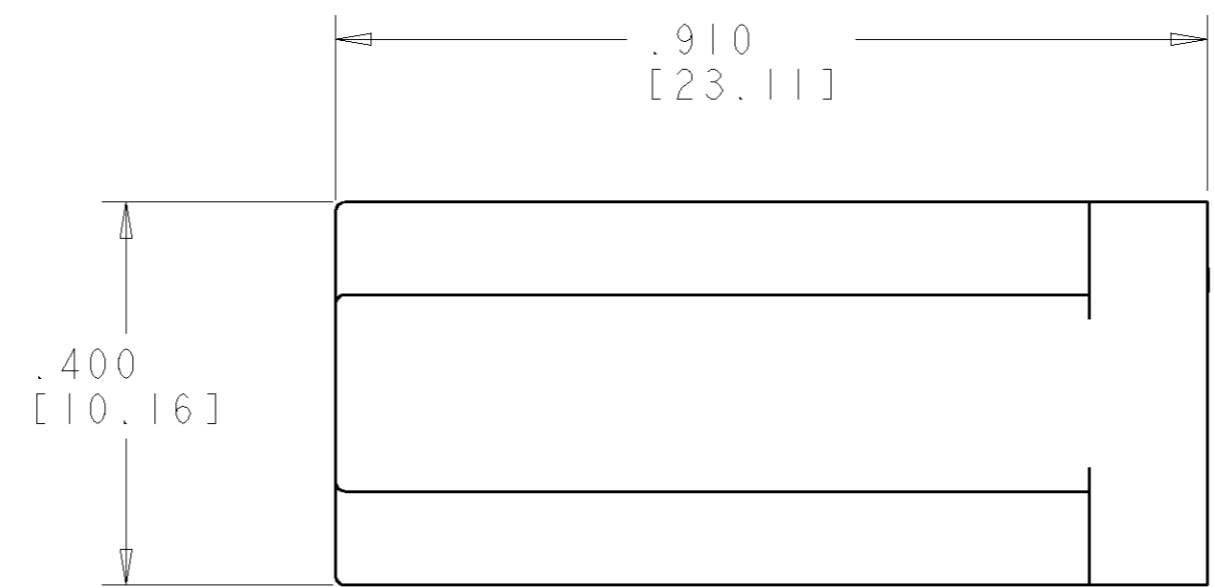
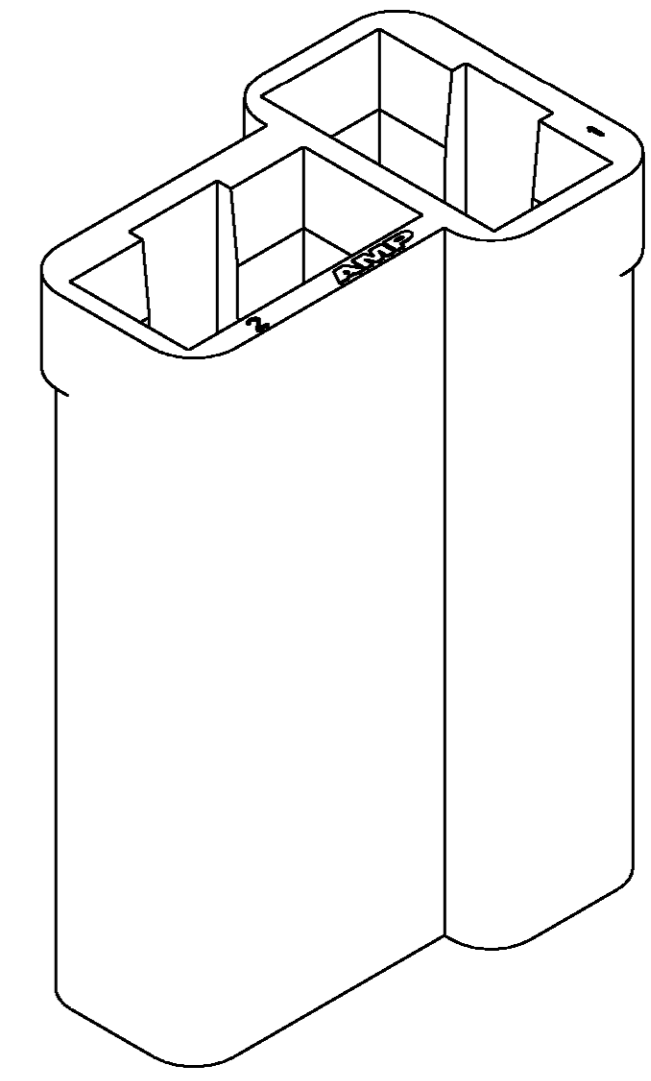
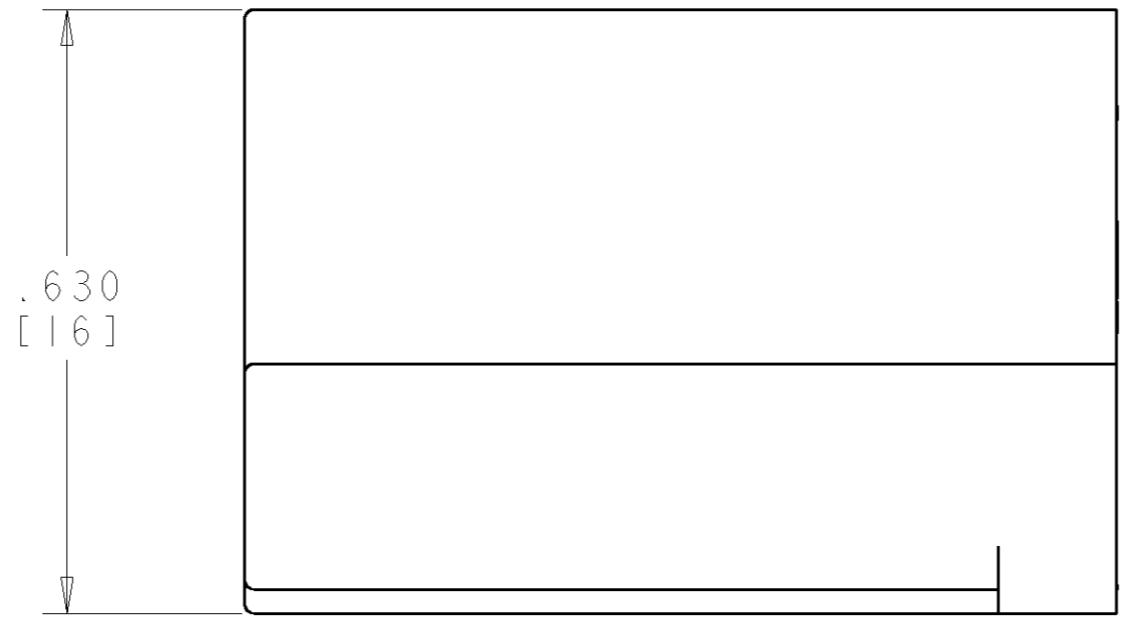
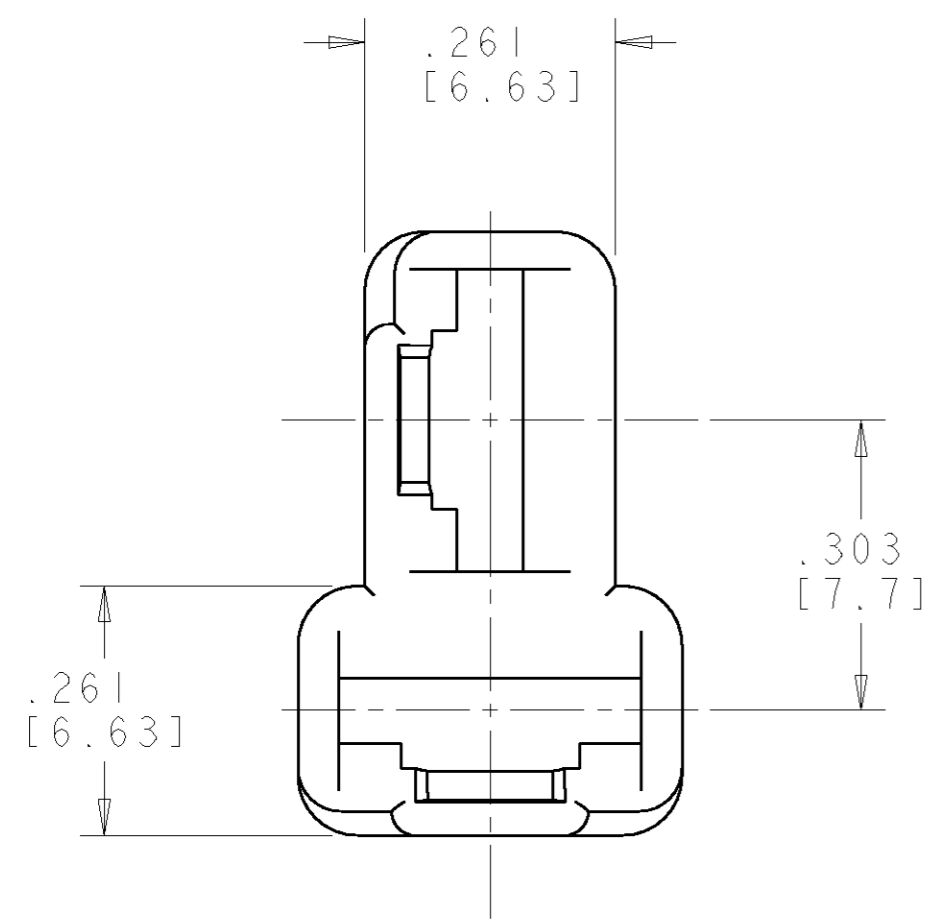
3

2

1

THIS DRAWING IS UNPUBLISHED. RELEASED FOR PUBLICATION 20
 © COPYRIGHT 20 BY TYCO ELECTRONICS CORPORATION. ALL RIGHTS RESERVED.

LOC	DIST	REVISIONS					
		P	LTR	DESCRIPTION	DATE	DWN	APVD
AF	50		U	REV PER 0G3A-0824-03	01JUL2004	RCF	KY
			V	REVISED PER 0G3A-0122-05	24FEB2005	MF	KR



1. ACCEPTS .250 FASTON 42281, 42904, 60249, 60634, 61127, 61041, AND 62733.

	BLACK	NYLON	480115-3
OBSOLETE	NATURAL	NYLON	480115-2
OBSOLETE	BLACK	ABS	480115-1
	COLOR	MATERIAL	PART NUMBER

THIS DRAWING IS A CONTROLLED DOCUMENT FOR TYCO ELECTRONICS CORPORATION IT IS SUBJECT TO CHANGE AND THE CONTROLLING ENGINEERING ORGANIZATION SHOULD BE CONTACTED FOR THE LATEST REVISION.		DWN R FLAIG 14MAY2002	Tyco Electronics Harrisburg, PA 17105-3608	
DIMENSIONS: INCHES [mm]		CHK N DEIBERT 14MAY2002	NAME 2 CIRCUIT T FASTIN-FASTON RECEPTACLE HOUSING	
TOLERANCES UNLESS OTHERWISE SPECIFIED: 0 PLC ± 1 PLC ± 2 PLC ± 3 PLC ±.015 [0.38] 4 PLC ± ANGLES ±2° FINISH		APVD N DEIBERT 14MAY2002		
MATERIAL		PRODUCT SPEC	SIZE	RESTRICTED TO
		APPLICATION SPEC	A2	
		WEIGHT	CAGE CODE	DRAWING NO
		CUSTOMER DRAWING	00779	480115
			SCALE	SHEET OF REV
			5:1	1 OF 1 V